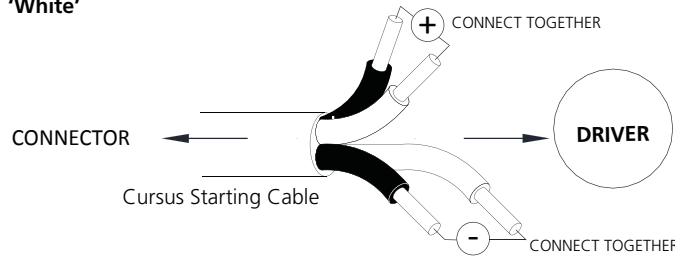


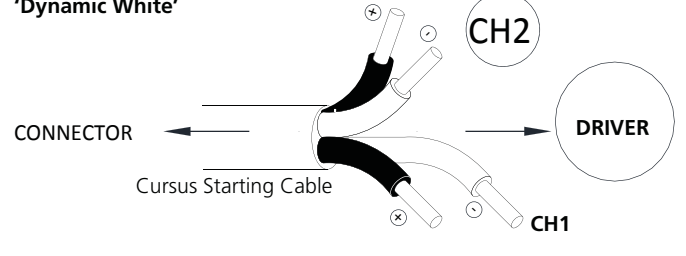
Driver output: 24 Vdc

LED circuit: 24 Vdc

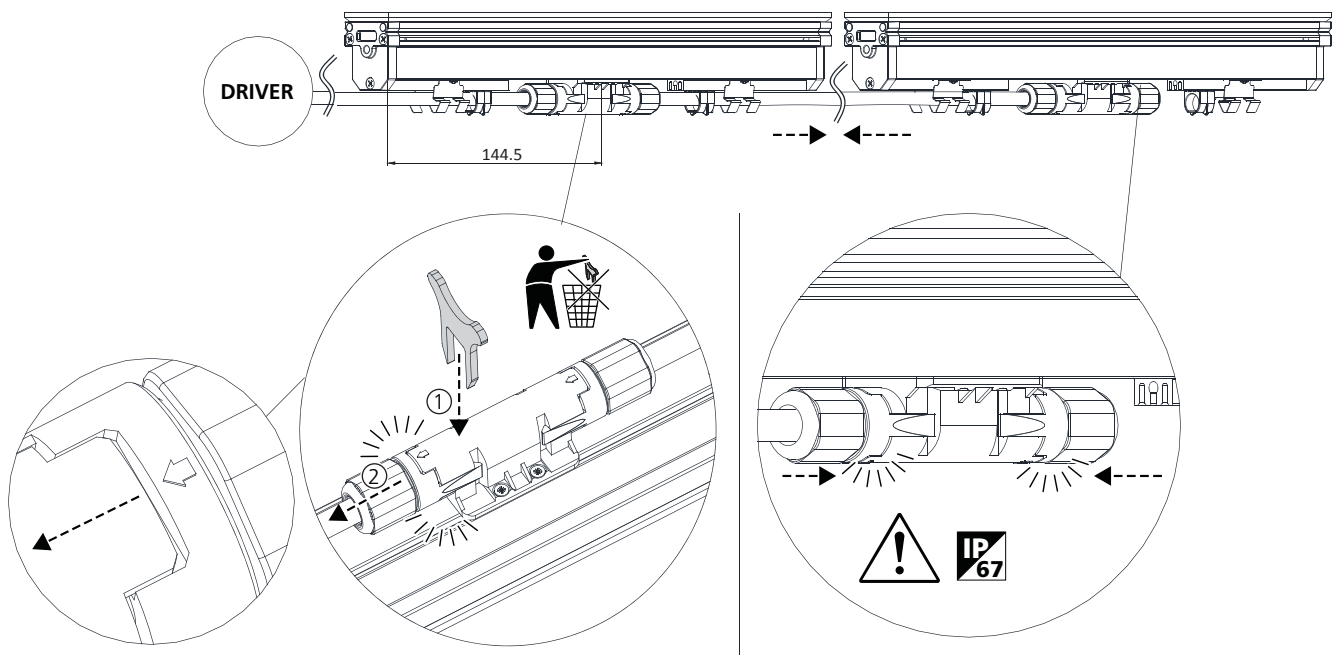
'White'




'Dynamic White'



EN 60598-2-13 - Max. Glass Temp. is 45°C



 Periodically check for water accumulation inside the housing. The Presence of water is a symptom of non-compliant installation. Any faults arising under these conditions shall not be covered by the warranty. It is essential to periodically clean the glass. There should be no accumulation of dirt, leaves, limescale, etc. This would inhibit both heat dissipation and light emission.

MI/1908 - C- 3^e ed