

SYLVANIA



Showing you the way



Skyline Street



A new range of exterior post top/side entry luminaires, ideal for street lighting and urban roads. Skyline Street is available in three different sizes providing a wide range of light outputs and different Sylvania designed optics to cover the needs of different road geometries and road lighting classes.

sylvania-lighting.com

Skyline Street



Features

- Perfect for major and minor road lighting applications
- Three different sizes
- Wide range of lumen packages are available (1-17.000lm)
- Sylvania designed light distributions - 6 released, rapidly extending to 10
- MR15, MR06, NR10 optics are designed for illuminance classes (P,C)
- MR22, MR21, NR14 optics are designed for luminance classes (M)
- High quality die-cast aluminium housing
- Adjustable tilting positions from -15° to + 15° on post top or side entry installations
- Easy maintenance with toolless opening, gear cover hinges upwards
- Safety mechanism to cut the mains when the fixture is opened
- Neutral white (4,000K) colour temperature as standard, other colour temps. on request
- Efficacy up to 128lm/W
- Robust build and protection: IK08 and IP66
- Available in Grey RAL 9022 colour finish as standard, other RAL colours on request
- Fits onto 42-60mm side entry or post top spigot
- Recommended for mounting heights of 6-12 metres
- Long lifetime up to 100,000 hours L90B50 at 50°C
- 10kV Surge Protection option available on request
- Several Controls possibilities (DALI, Photocell, other integrated Smart lighting technologies) on request
- Constant Light Output (CLO) on request
- Wide operating temperature range from -40 up to +50°C
- Colour Rendering Index 70



Product information

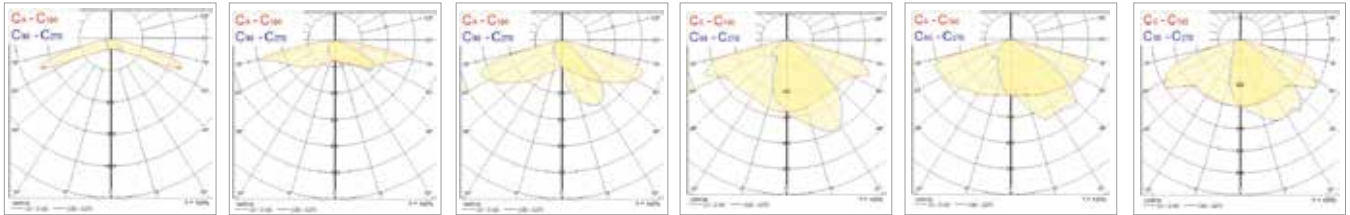
Code	Description	LED Qty	Lumen Output (lm)	System Power (W)	Efficacy (lm/W)	Body Colour	Size (mm)	Light Distribution	Colour Temperature (K)	Voltage (V)	Lifetime L90B50 @ 50°C	Weight (kg)
Skyline Street												
Skyline Street Small												
0066600	SKS S 1-5klm NW MR15 9022	24	5,624	49	115	Grey (RAL9022)	525 x 255 x 105	MR15	4000	220 - 240	100,000	6
0066601	SKS S 1-5klm NW MR06 9022	24	5,547	49	113	Grey (RAL9022)	525 x 255 x 105	MR06	4000	220 - 240	100,000	6
0066602	SKS S 1-5klm NW NR10 9022	24	5,869	49	120	Grey (RAL9022)	525 x 255 x 105	NR10	4000	220 - 240	100,000	6
0066618	SKS S 1-5klm NW MR22 9022	24	6,115	49	125	Grey (RAL9022)	525 x 255 x 105	MR22	4000	220 - 240	100,000	6
0066624	SKS S 1-5klm NW MR21 9022	24	5,984	49	122	Grey (RAL9022)	525 x 255 x 105	MR21	4000	220 - 240	100,000	6
0066627	SKS S 1-5klm NW NR14 9022	24	6,030	49	123	Grey (RAL9022)	525 x 255 x 105	NR14	4000	220 - 240	100,000	6
Skyline Street Medium												
0066603	SKS M 5-12klm NW MR15 9022	48	12,406	103	120	Grey (RAL9022)	625 x 290 x 105	MR15	4000	220 - 240	100,000	7
0066604	SKS M 5-12klm NW MR06 9022	48	12,106	103	118	Grey (RAL9022)	625 x 290 x 105	MR06	4000	220 - 240	100,000	7
0066605	SKS M 5-12klm NW NR10 9022	48	12,948	103	126	Grey (RAL9022)	625 x 290 x 105	NR10	4000	220 - 240	100,000	7
0066619	SKS M 5-12klm NW MR22 9022	48	13,166	103	128	Grey (RAL9022)	625 x 290 x 105	MR22	4000	220 - 240	100,000	7
0066625	SKS M 5-12klm NW MR21 9022	48	12,851	103	125	Grey (RAL9022)	625 x 290 x 105	MR21	4000	220 - 240	100,000	7
0066628	SKS M 5-12klm NW NR14 9022	48	13,025	103	126	Grey (RAL9022)	625 x 290 x 105	NR14	4000	220 - 240	100,000	7
Skyline Street Large												
0066606	SKS L 10-16klm NW MR15 9022	64	16,307	147	111	Grey (RAL9022)	780 x 325 x 105	MR15	4000	220 - 240	85,000	10
0066607	SKS L 10-16klm NW MR06 9022	64	15,900	147	108	Grey (RAL9022)	780 x 325 x 105	MR06	4000	220 - 240	85,000	10
0066608	SKS L 10-16klm NW NR10 9022	64	17,029	147	116	Grey (RAL9022)	780 x 325 x 105	NR10	4000	220 - 240	85,000	10
0066620	SKS L 10-16klm NW MR22 9022	64	17,496	147	119	Grey (RAL9022)	780 x 325 x 105	MR22	4000	220 - 240	85,000	10
0066626	SKS L 10-16klm NW MR21 9022	64	17,099	147	116	Grey (RAL9022)	780 x 325 x 105	MR21	4000	220 - 240	85,000	10
0066629	SKS L 10-16klm NW NR14 9022	64	17,260	147	117	Grey (RAL9022)	780 x 325 x 105	NR14	4000	220 - 240	85,000	10

Legend: SKS = Skyline Street; S = Small, M = Medium, L = Large, 1-5/5-12/10-16 klm = up to 5.000/12.000/16.000lm System lm output; NW = 4000K colour temp.; MR06 / MR15 / NR10 / MR22 / MR21 / NR14 = optic type with different light distributions; I = Electrical safety class I; 9022 = RAL9022 standard grey housing.

Skyline Street



Photometric Data



MR15 - Medium Road Optic

MR06 - Medium Road Optic

NR10 - Narrow Road Optic

MR21 - Medium Road Optic

MR22 - Medium Road Optic

NR14 - Narrow Road Optic

NR10

Good for narrow roads (inc footways) up to 1.5x the mounting height, with very extensive pole spacing (lower illuminance classes).

MR15

Good for medium width roads (inc footways) up to 2x the mounting height and quite extensive pole spacing.

MR06

Good for medium width roads (inc footways) up to 2.5x the mounting height and standard pole spacing.

MR22 (M2-M3 Road class / G3 G class)

Best for road widths from 0.5x to 1.0x the mounting height + parking/sidewalks/cycle ways.

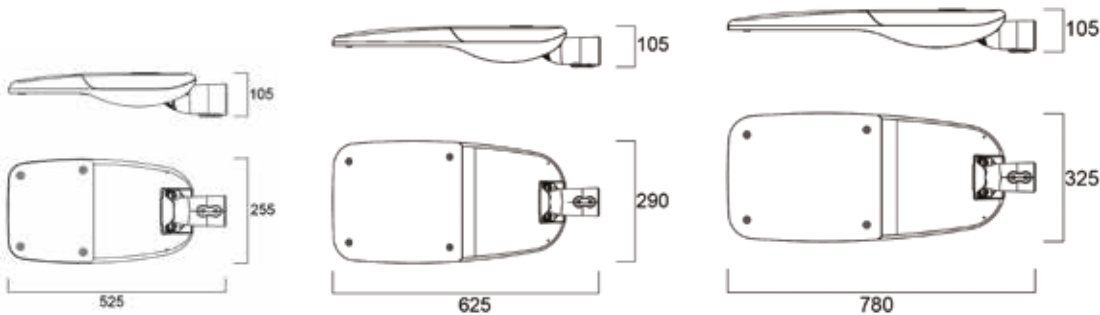
MR21 (M2-M3-M4 Road class / G2 G class)

Best for road widths from 0.7x to 1.25x the mounting height.

NR14 (M2-M3-M4 Road class / G2 G class)

Best for road widths from 0.7x to 1.0x the mounting height

Dimensions (mm)



Skyline Street Small

Skyline Street Medium

Skyline Street Large

Poles are sourced via third party suppliers

Additional Images

