

EVO

LED RANGE



Start Panel LED

Recessed LED luminaires



Start Panel LED is a range of recessed LED luminaires designed for general indoor lighting applications such as corridors, breakout areas, offices and meeting rooms.

Start Panel LED range is back lit which, generating a greater lumen efficacy (up to 140lm/W) than standard edge lit flat

panels. The optical design ensures a consistent, uniform output throughout the luminaire creating a comforting, non-harsh light source.

Start Panel LED range comprises of standard, high output switched DALI dimmable and UGR<19 compliant luminaires.

Start Panel LED

UGR<19

FEATURES

- Low glare UGR<19, below the maximum permissible value for office lighting (complies to EN12464-1)
- Back lit panel with opal diffuser and UGR<19 film behind diffuser creates a brilliant even distribution of light
- Perfect for general lighting applications such as circulation areas, corridors and breakout areas
- Delivers high efficacy: up to 119lm/W (4300lm)
- Designed for 600 x 600mm and 625 x 625mm t-grid ceiling panels
- Warm white (3,000K) or neutral white (4,000K)
- Slim profile of 65mm for minimal impact into ceiling void
- Quick and easy to install
- Plasterboard ceiling accessory available for easy installation
- Less maintenance is required due to the long lifetime of 50,000hrs (L70)
- Emergency conversion kit available (50-240V forward voltage)
- Energy Class: A++, A+, A

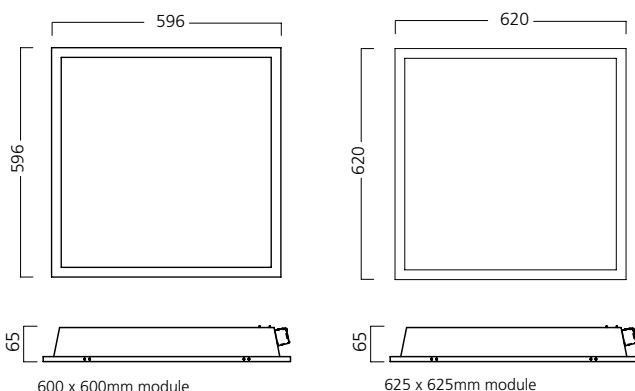


Item code	Description	Body size (mm)	Body colour	Driver	Colour name	Colour Temperature (K)	Voltage (V)	Drive Current (mA)	System Power Consumption (W)	Luminaire Lumen Output (lm)	Efficacy (lm/W)
Electronic ballast											
600 x 600mm modules											
0047784	Start Panel UGR19 600 3000K G4	600 x 600	White	Electronic	Warm White	3,000	220 - 240	155	36	4,100	114
0047785	Start Panel UGR19 600 4000K G4	600 x 600	White	Electronic	Neutral White	4,000	220 - 240	155	36	4,300	119
625 x 625mm modules											
0047792	Start Panel UGR19 625 3000K G4	625 x 625	White	Electronic	Warm White	3,000	220 - 240	155	36	4,100	114
0047793	Start Panel UGR19 625 4000K G4	625 x 625	White	Electronic	Neutral White	4,000	220 - 240	155	36	4,300	119
DALI dimmable 600 x 600 mm modules											
0047786	Start Panel UGR19 600 3000K DALI G4	600 x 600	White	Electronic	Warm White	3,000	220 - 240	155	36	4,100	114
0047787	Start Panel UGR19 600 4000K DALI G4	600 x 600	White	Electronic	Neutral White	4,000	220 - 240	155	36	4,300	119

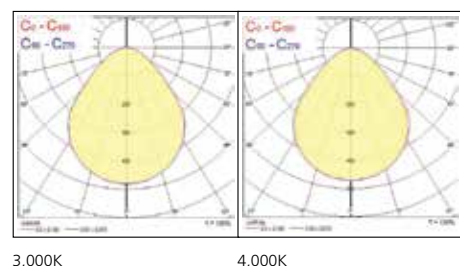
Legend: 600 = 600 x 600mm module; 625 = 625 x 625mm module; WW = Warm White; NW = Neutral White



Dimensions (mm)



Photometric data



Start Panel LED

Recessed LED luminaires

FEATURES

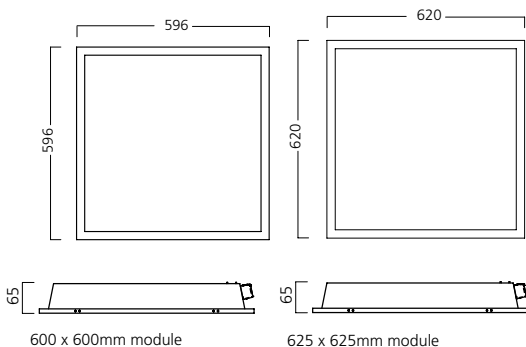
- Back lit panel with opal diffuser creates a brilliant even distribution of light
- Perfect for general lighting applications such as circulation areas, corridors and breakout areas
- Delivers high efficacy: up to 140lm/W (4200lm)
- Designed for 600 x 600mm and 625 x 625mm t-grid ceiling panels
- Warm white (3,000K) or neutral white (4,000K)
- Slim profile of 65mm for minimal impact into ceiling void
- Quick and easy to install
- Plasterboard ceiling accessory available for easy installation
- Less maintenance is required due to the long lifetime of 50,000hrs (L70)
- Emergency conversion kit available (50-240V forward voltage)
- Energy Class: A++, A+, A



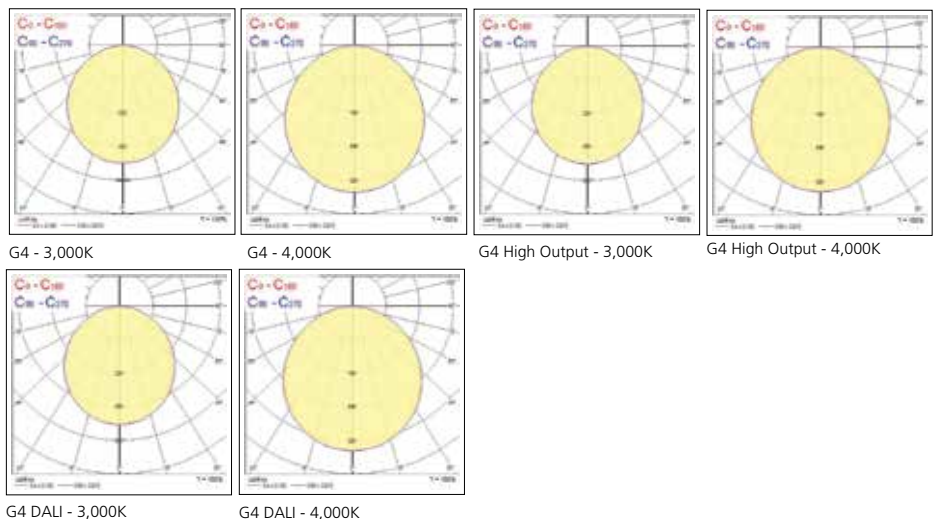
Item code	Description	Body size (mm)	Body colour	Driver	Colour name	Colour Temperature (K)	Voltage (V)	Drive Current (mA)	System Power Consumption (W)	Luminaire Lumen Output (lm)	Efficacy (lm/W)
G4											
600 x 600mm modules											
0047778	Start Panel 600 3000K G4	600 x 600	White	Electronic	Warm White	3,000	220 - 240	130	30	3,900	130
0047779	Start Panel 600 4000K G4	600 x 600	White	Electronic	Neutral White	4,000	220 - 240	130	30	4,200	140
625 x 625mm modules											
0047788	Start Panel 625 3000K G4	625 x 625	White	Electronic	Warm White	3,000	220 - 240	130	30	3,900	130
0047789	Start Panel 625 4000K G4	625 x 625	White	Electronic	Neutral White	4,000	220 - 240	130	30	4,200	140
G4 High Output											
600 x 600mm modules											
0047780	Start Panel HO 600 3000K G4	600 x 600	White	Electronic	Warm White	3,000	220 - 240	155	36	4,500	125
0047781	Start Panel HO 600 4000K G4	600 x 600	White	Electronic	Neutral White	4,000	220 - 240	155	36	4,750	132
625 x 625mm modules											
0047790	Start Panel HO 625 3000K G4	625 x 625	White	Electronic	Warm White	3,000	220 - 240	155	36	4,500	125
0047791	Start Panel HO 625 4000K G4	625 x 625	White	Electronic	Neutral White	4,000	220 - 240	155	36	4,750	132
DALI dimmable											
600 x 600mm modules											
0047782	Start Panel 600 3000K DALI G4	600 x 600	White	Electronic	Warm White	3,000	220 - 240	155	36	4,500	125
0047783	Start Panel 600 4000K DALI G4	600 x 600	White	Electronic	Neutral White	4,000	220 - 240	155	36	4,750	132
625 x 625mm modules											
0047794	Start Panel 625 3000K DALI G4	600 x 600	White	Electronic	Warm White	3,000	220 - 240	155	36	4,500	125
0047795	Start Panel 625 4000K DALI G4	600 x 600	White	Electronic	Neutral White	4,000	220 - 240	155	36	4,750	132

Legend: 600 = 600 x 600mm module; 625 = 625 x 625mm module; WW = Warm White; NW = Neutral White; HO = High Output; DALI = DALI dimmable

Dimensions (mm)



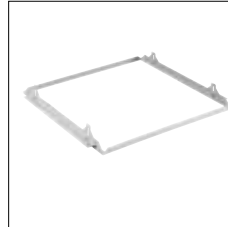
Photometric data



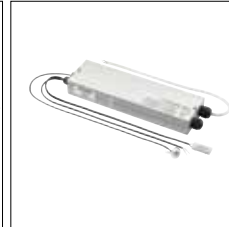
Start Panel LED

Accessories

0047595	Panel 50-240V Emergency Kit
0047416	Plasterboard Ceiling Frame 600x600
0047417	Plasterboard Ceiling Frame 625x625
0039330	Plasterboard Ceiling Frame German Version



0047416



0047595



Feilo Sylvania Europe Limited. copyright June 2017