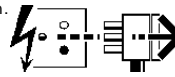


Disconnect from mains supply before replacing the fuse or the lamp.
 Vor dem Einsetzen der Sicherung oder der Lampe Spannungsfreiheit herstellen.
Débrancher le secteur avant de remplacer le fusible ou l'ampoule.
 Desconectar del suministro de la red, antes de realizar la sustitución del fusible o de la lámpara.
Voor het vervangen van lamp of zekering, eerst netspanning uitschakelen.
 Koppla bort spänningen före byte av en säkring eller en lampa.



Switch Off
 Abschalten
Débrancher
 Desconectar
Uitschakelen
 Stäng av

Installation Instructions Trimline Emergency Lighting Units

- 9986 D24 — Prismatic Diffuser — 250 mm diameter
- 9986 G24 — Opal Diffuser — 250 mm diameter
- 9992 E24 — Exit Diffuser — Rectangular
- 9992 G24 — Opal Diffuser — Rectangular

Check that the mains supply rating marked on the unit conforms with that of the supply.

These emergency units are designed to operate on a low voltage DC supply from a centralised system. They are supplied complete with lamps and are designed to fix to a flush mounted BS conduit box (50.8 mm (2 in.) centres) either wall or ceiling mounted. Fixing holes for other types of mounting are also provided.

Detach the diffuser from the gallery by twisting a coin in the slot provided between the diffuser and the gallery.

Remove the lamp.

250 mm diameter — Loosen the two screws retaining the module in the gallery and rotate the module anticlockwise until the 3 cut-outs on the edge of the module plate line up with the lugs on the lip of the gallery. Lift the module out of the gallery.

Rectangular — Remove the module from the gallery by unscrewing the single fixing screw and disengaging the module plate from the opposite end of the gallery.

Disconnect the flying leads from the module by separating the supply plug from the socket which is situated behind the module.

Pass the flying leads through the cable entry in the gallery and offer it to the mounting surface. Connect the leads to the supply using a suitable terminal block (Red - positive and Black - negative) and fix the gallery to the conduit box.

Offer the module to the gallery and insert the supply plug into the socket.

250 mm diameter — Locate the module over the gallery lugs and module retaining screws and rotate it clockwise until the retaining screws are fully engaged in the keyhole slots of the module plate. Tighten the screws to secure the module in position.

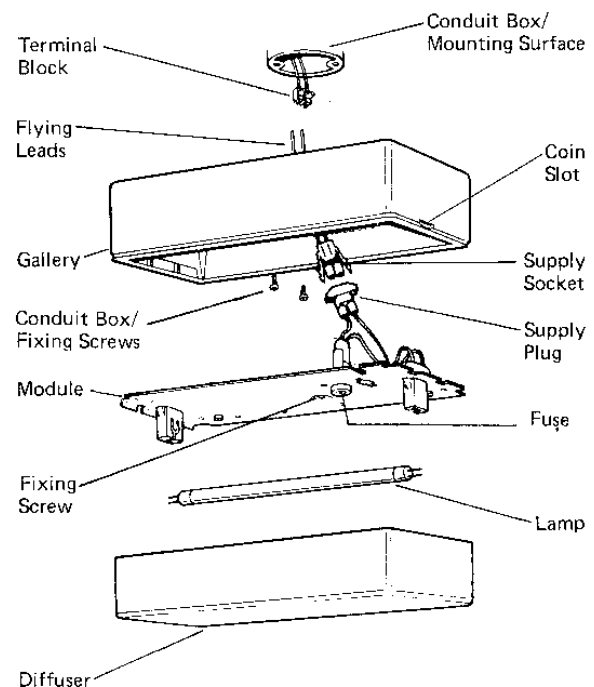
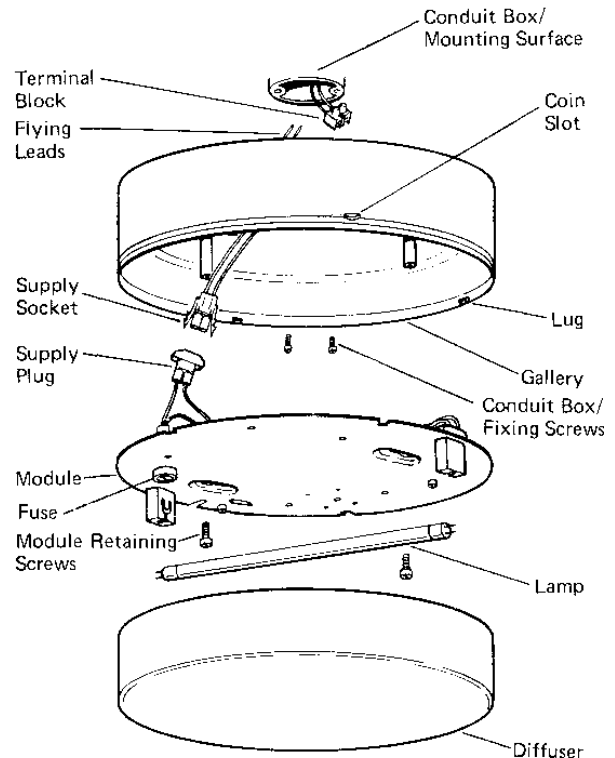
Rectangular — Locate the module in the gallery in the reverse procedure to that used to remove it and tighten the single fixing screw to secure it in position.

Replace the lamp and the diffuser.

Replacements

Lamps — 6 watts 230 mm (9 ins.) Fluorescent tube (white)

In the event of any failure the module should be returned to any Merchant Adventurers depot for examination.



Suitable for use indoors
 Geeignet für Innenanwendung
Pour un usage interne
 Adecuada para uso en interiores
Geschikt voor gebruik binnen
 Lämpelig för inomhusbruk



< Millimetres >