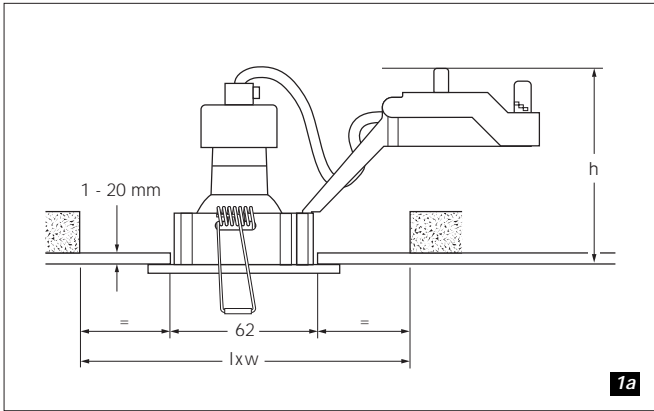
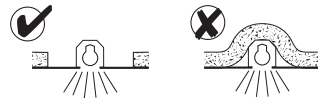


# INSET TREND 62 FLUSH ES 50



1a



NO INSULATION

lxwxh=200x200x85



1b

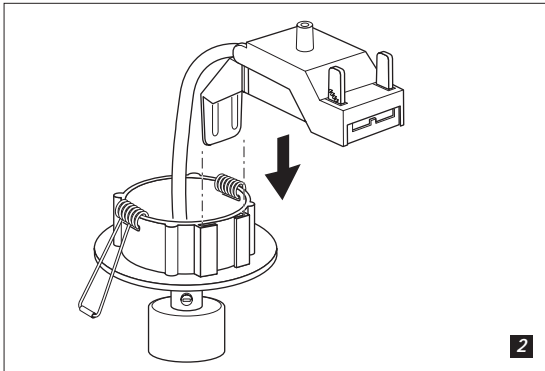


INSULATION

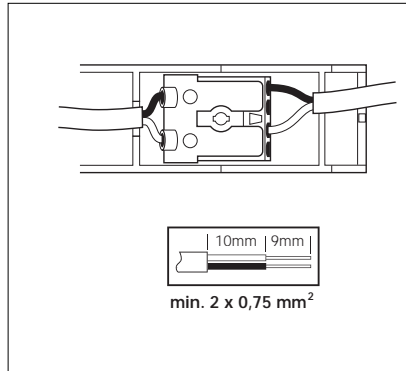
Lumiance Insulation Box required



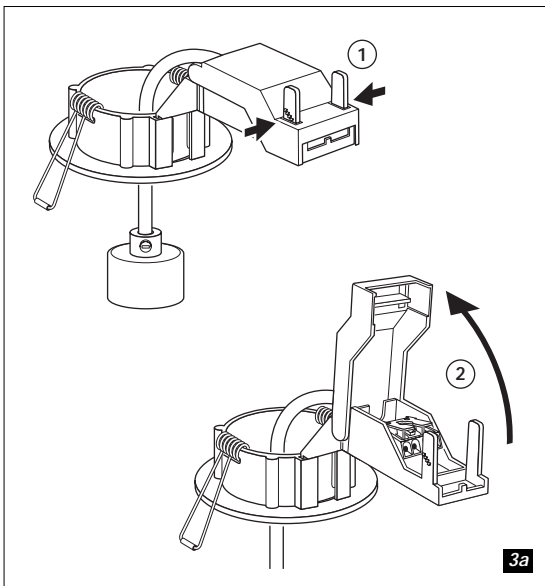
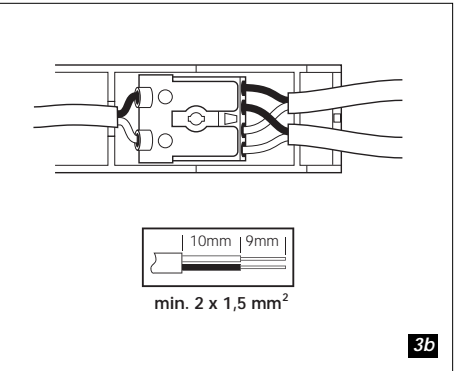
1c



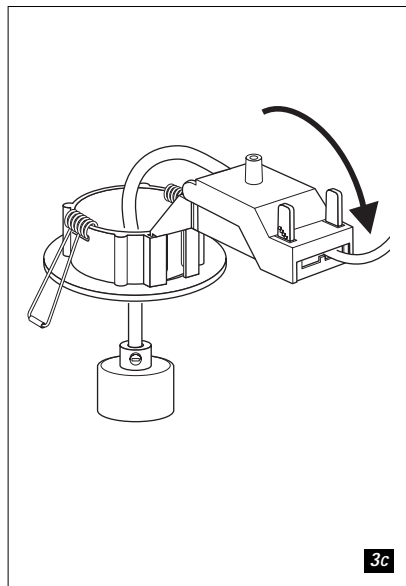
2



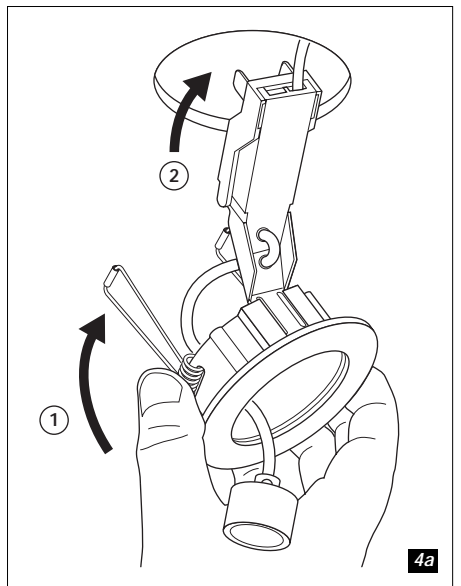
3b



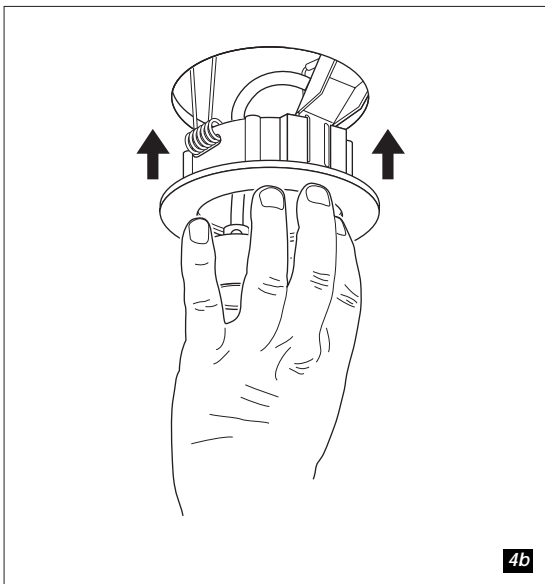
3a



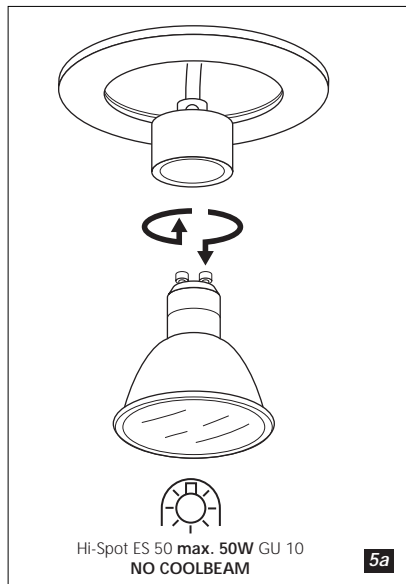
3c



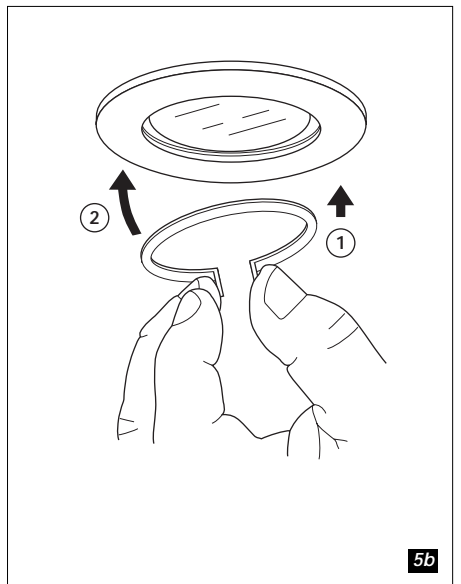
4a



4b



5a



5b

