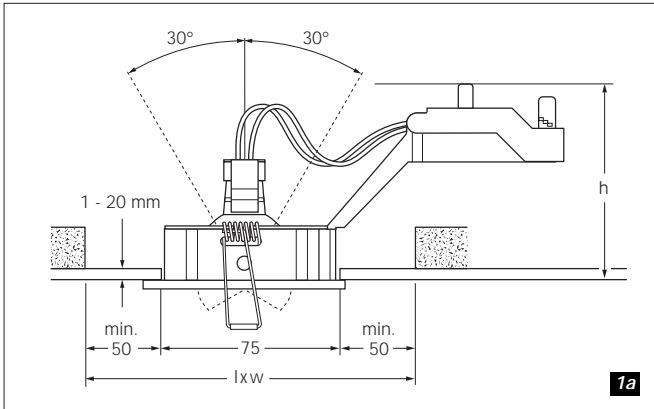
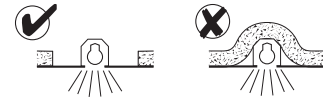


# INSTAR TREND 75 SWING COOL 50



1a



NO INSULATION

lxwxh=200x200x85

lxwxh=200x200x140

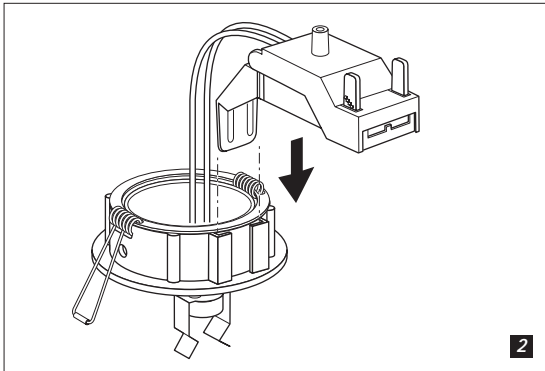
1b



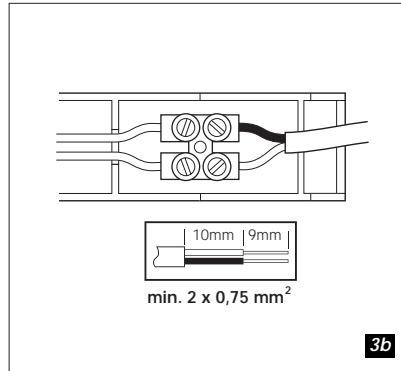
INSULATION

Lumiance Insulation Box required

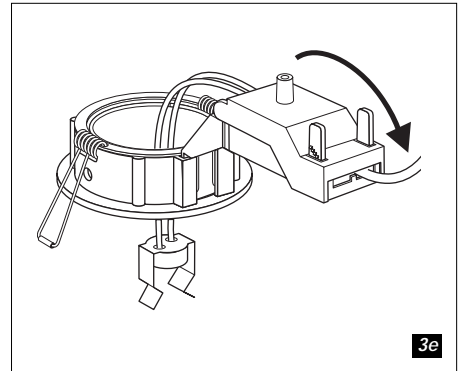
1c



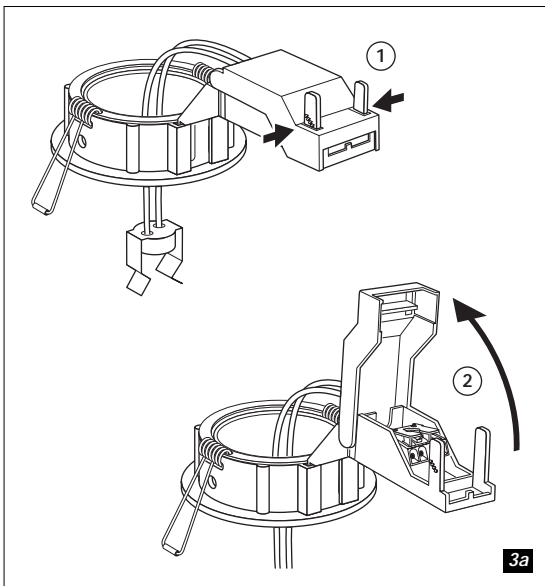
2



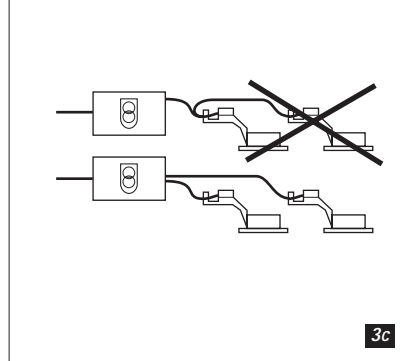
3b



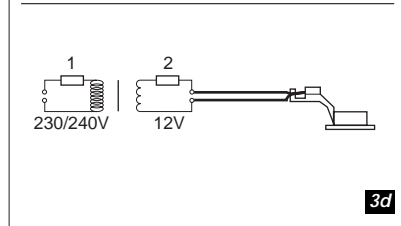
3e



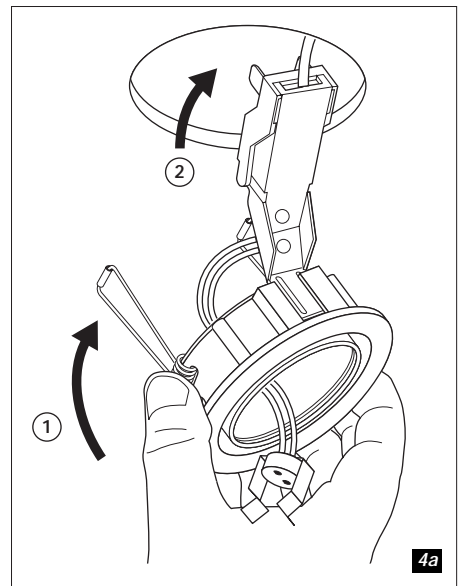
3a



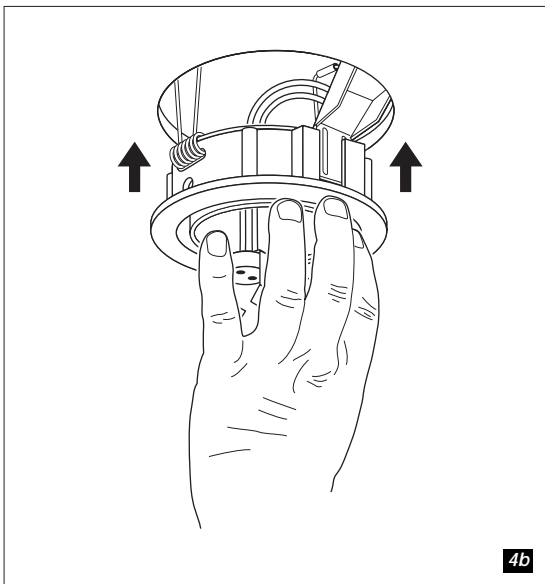
3c



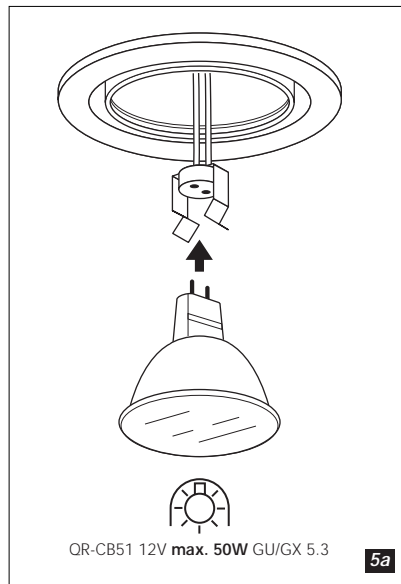
3d



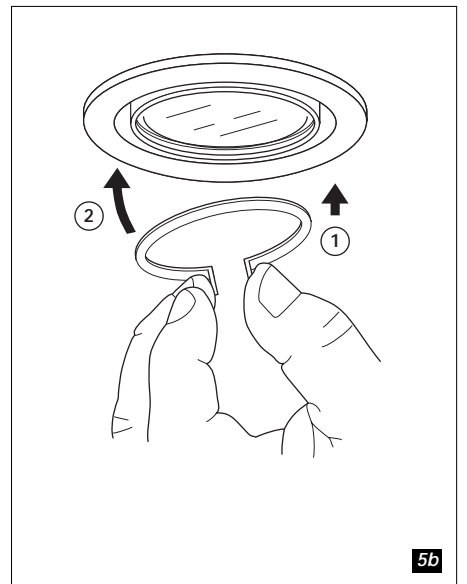
4a



4b



5a



5b

