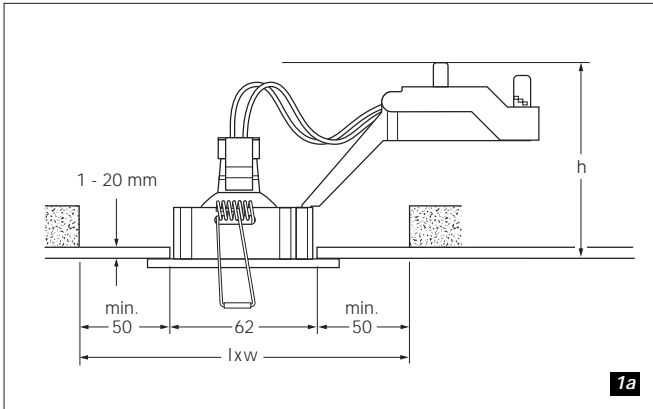
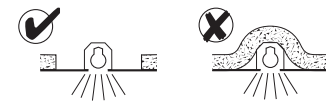



# INSTAR TREND 62 FLUSH COOL 50




1a



NO INSULATION

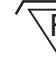
 lxwxh=200x200x85

 lxwxh=200x200x140

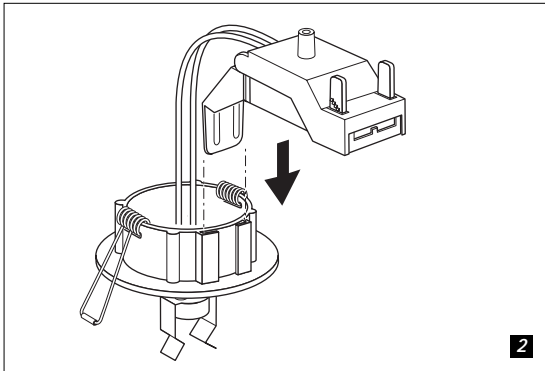
1b



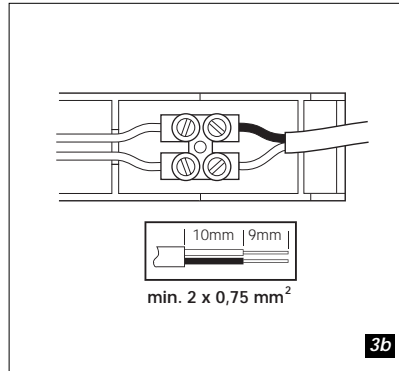
INSULATION

 Lumiance Insulation Box required

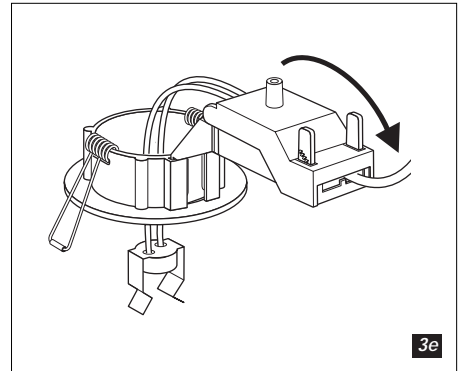
1c



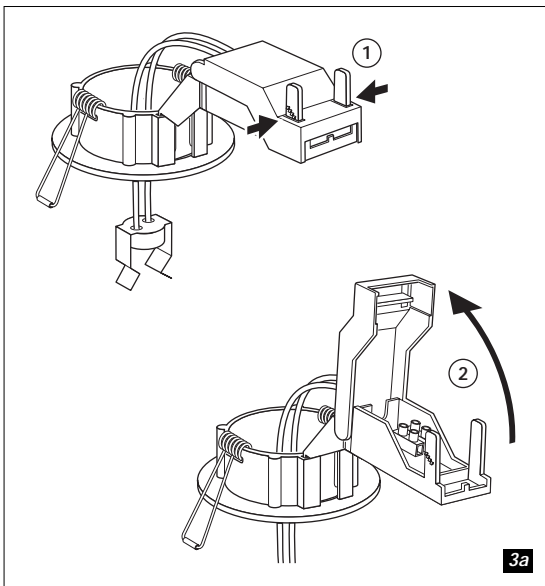
2



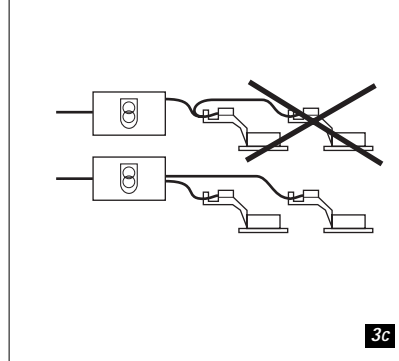
3b



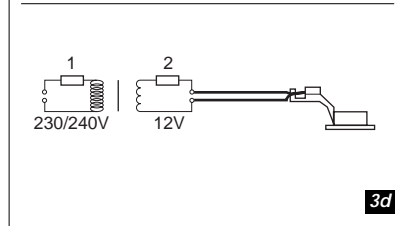
3e



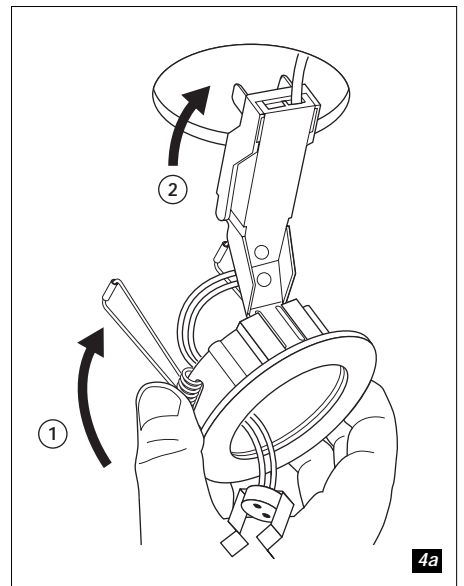
3a



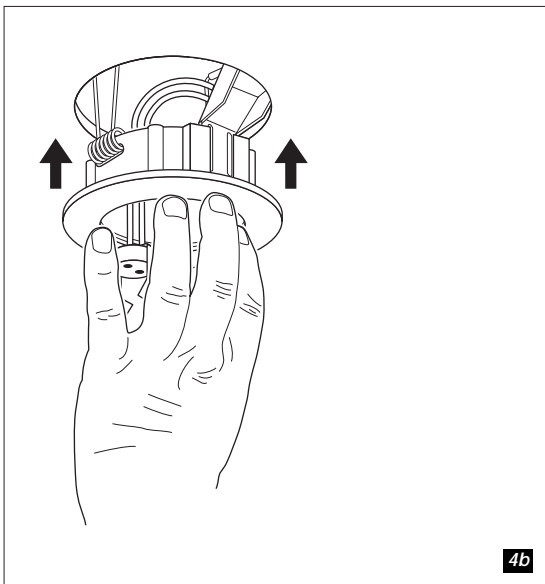
3c



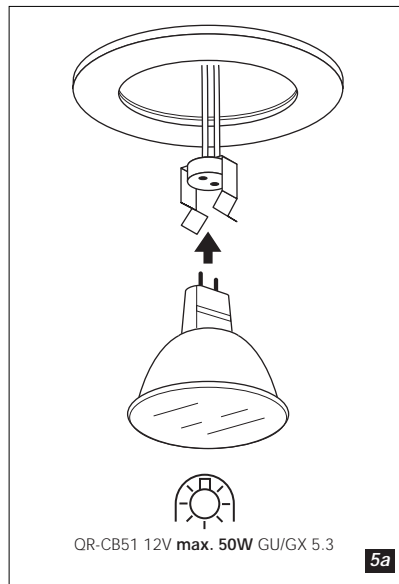
3d



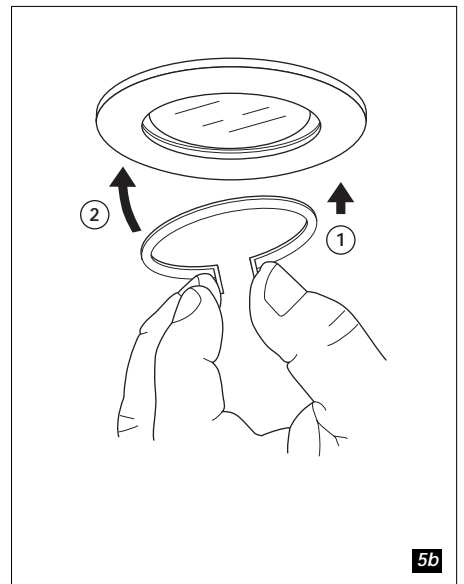
4a



4b



5a



5b

