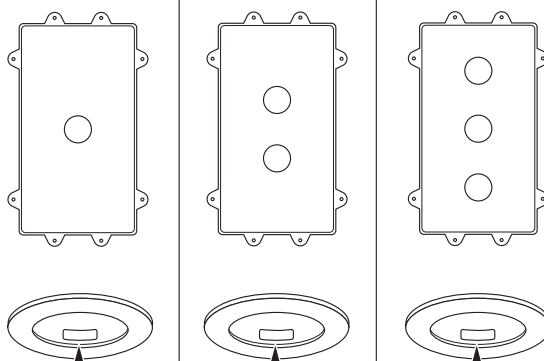
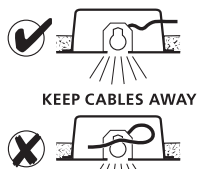
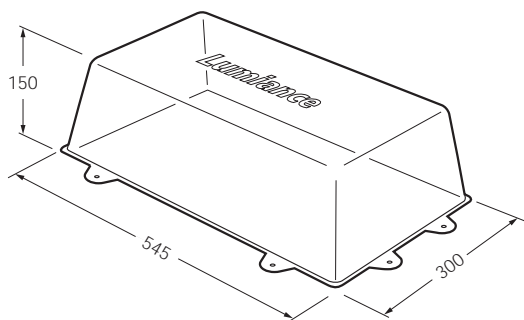


INSULATION BOX (545X300X150)



QPAR51 GU10 mains Voltage

Inset trend 62 flush	50 W	→		
Inset trend 75 cone/comfort	50 W	→		
1 x Motto 82	50 W	→		
2 x Motto 82	35 W	→	→	
3 x Motto 82	35 W *	→	→	→
1 x Motto 82 with cone accessory	50 W	→		
2 x Motto 82 with cone accessory	35 W *	→	→	
3 x Motto 82 with cone accessory	35 W *	→	→	→
Inset Pro 80 swing/comfort	50 W	→		
Inset Pro 95 cone	35 W	→		
Inset Trend 75 SQ Flush	50 W *	→		
Inset Trend 90 SQ Comfort/Opal	35 W *	→		
Inset Trend 75 IP44 Indoor	35 W *	→		
Inset Trend 75 IP44 Outdoor	35 W *	→		

QPAR64 GU10 mains Voltage

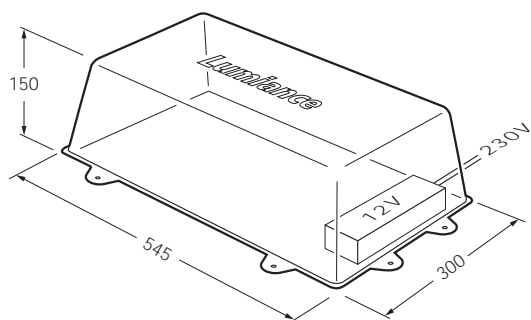
Inset Pro 95 swing	75 W	→		
--------------------	------	---	--	--

* SEMKO verification pending

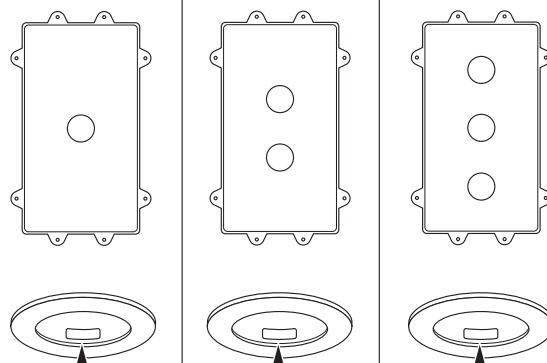
NOTE:
Other fixtures can also be used in this box, provided that the minimum recess dimensions and maximum Wattages specified for those fixtures in insulated ceilings are respected.

For 12V Lamps: please turn over

INSULATION BOX (545X300X150)



Compliance checked by Semko



QR-CB51 GU5.3/GX5.3 12 V cool beam

Instar trend 62 flush	35 W	→	
Instar trend 75 cone/comfort	35 W	→	
1 x Motto 82	50 W	→	
2 x Motto 82	35 W	→	→
3 x Motto 82	20 W	→	→
1 x Motto 82 with cone accessory	35 W	→	
2 x Motto 82 with cone accessory	35 W	→	→
3 x Motto 82 with cone accessory	20 W	→	→
Instar Pro 80 swing	35 W	→	
Instar Pro 80 comfort	20 W	→	
Instar Pro 95 cone	20 W	→	
Instar Trend 75 SQ Flush	35 W *	→	
Instar Trend 90 SQ Comfort/Opal	35 W *	→	
Instar Trend 75 IP44 Indoor	20 W *	→	
Instar Trend 75 IP44 Outdoor	20 W *	→	

QR-CB35 GU4/GZ4 12 V cool beam

Instar Pro 65 swing/comfort	20 W	→
Instar Pro 80 cone	35 W	→

QT12 GY6.35 12 V capsule

Instar Pro 95 swing	50 W	→
Instar Pro 115 swing	50 W	→

* SEMKO verification pending

NOTE:
Other fixtures can also be used in this box, provided that the minimum recess dimensions and maximum Wattages specified for those fixtures in insulated ceilings are respected.

For mains Voltage Lamps: please turn over