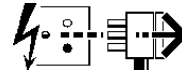


# LED150 Recessed Emergency

Installation Instructions  This Product MUST be EARTHED

## IS526E

**Disconnect from mains supply before replacing the fuse or the lamp.**  
 Vor dem Einsetzen der Sicherung oder der Lampe Spannungsfreiheit herstellen.  
**Débrancher le secteur avant de remplacer le fusible ou l'ampoule.**  
 Desconectar del suministro de la red, antes de realizar la sustitución del fusible o de la lámpara.  
**Voor het vervangen van lamp of zekering, eerst netspanning uitschakelen.**  
 Koppla bort spänningen före byte av en säkring eller en lampa.



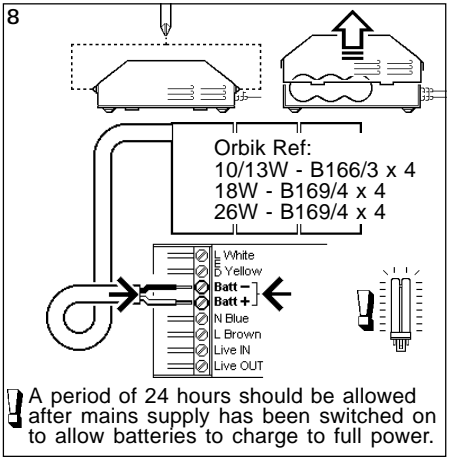
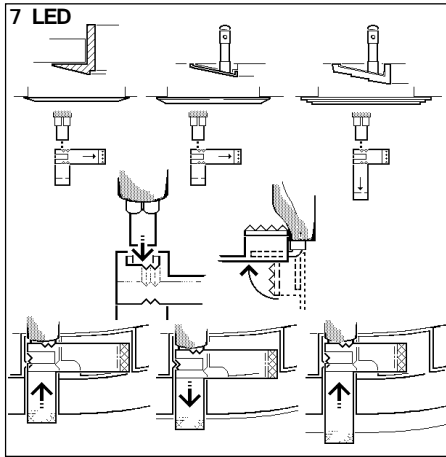
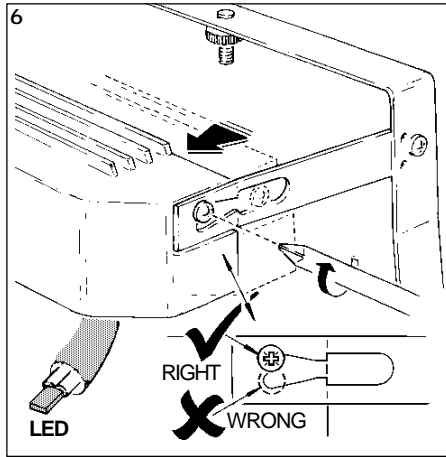
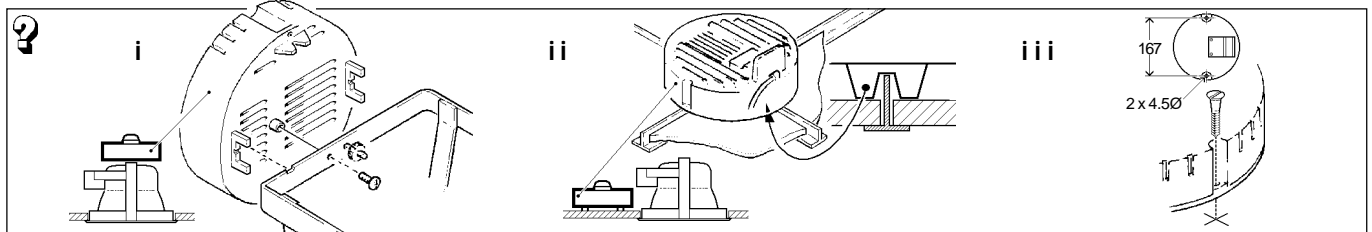
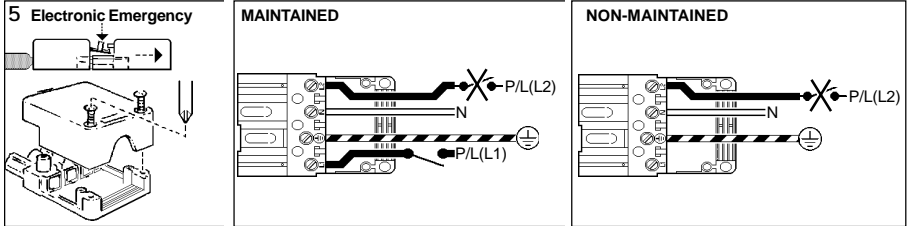
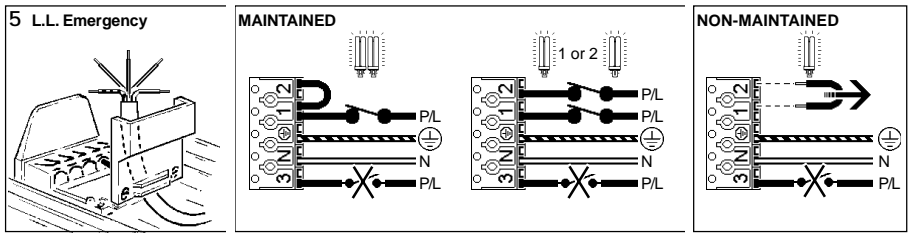
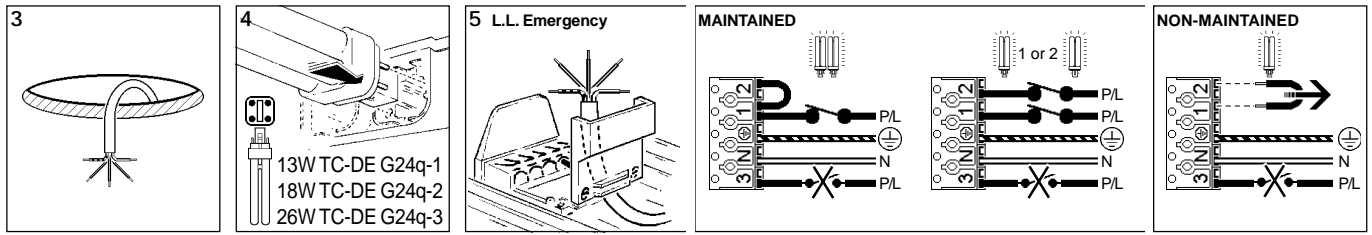
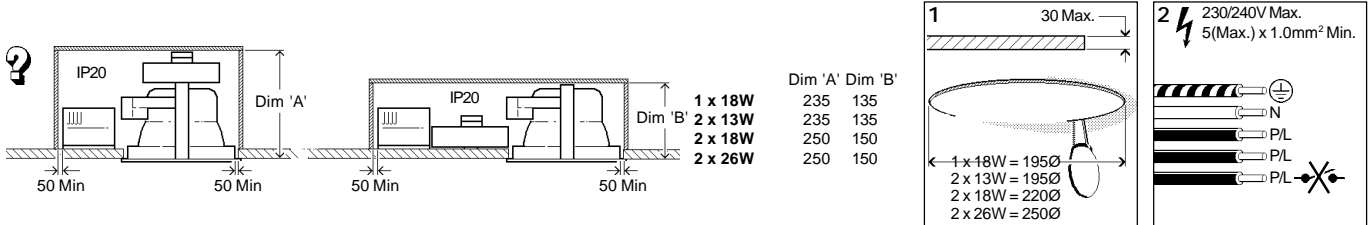
**Switch Off**  
 Abschalten  
**Débrancher**  
 Desconectar  
**Uitschakelen**  
 Stäng av

**1 x 18W**  
 L.L. Emergency  
 2525062 2516219 2525072  
 2516223 2525077 2516225  
 Electronic Emergency  
 2525064 2516220 2525074  
 2516224 2525079 2516226

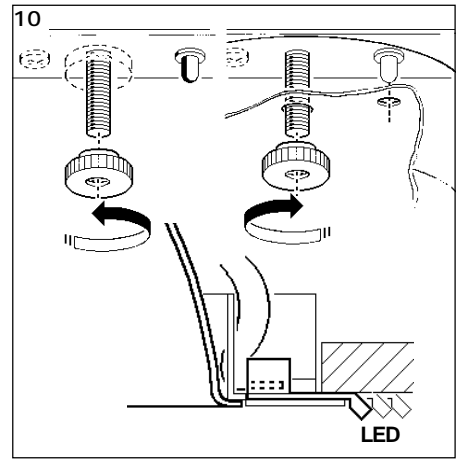
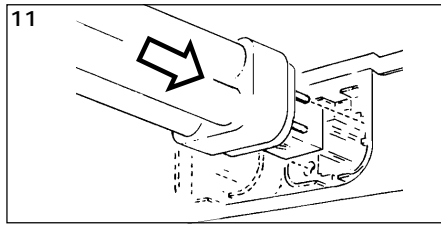
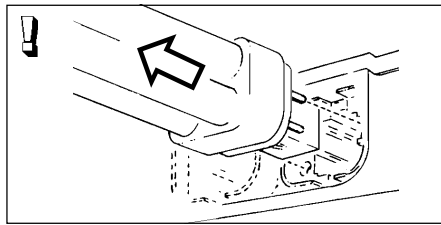
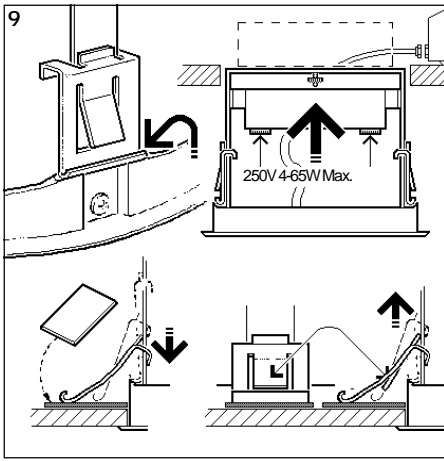
**2 X 13W**  
 L.L. Emergency  
 2525082 2516227 2525092  
 2516231 2525097 2516233  
 Electronic Emergency  
 2525084 2516228 2525094  
 2516232 2525099 2516234

**2 X 18W**  
 L.L. Emergency  
 2525102 2516235 2525112  
 2516239 2525117 2516241  
 Electronic Emergency  
 2525104 2516236 2525114  
 2516240 2525119 2516242

**2 X 26W**  
 L.L. Emergency  
 2525122 2516243 2525132  
 2516247 2525137 2516249  
 Electronic Emergency  
 2525124 2516244 2525134  
 2516248 2525139 2516250



Orbik Ref:  
 10/13W - B166/3 x 4  
 18W - B169/4 x 4  
 26W - B169/4 x 4



**Routine Maintenance**

Routine maintenance must be carried out in compliance with the requirements of BS5266:Part 1 - Emergency Lighting of Premises.

The following tests assume a three-hour system.

- Daily:**
1. Check that any recorded faults have been rectified.
  2. Check that the maintained emergency lamp is operative.
  3. Check that the charge indicator light is illuminated.
- Monthly:**  
(Functional)
1. Simulate a mains failure and check that the emergency lamp illuminates and remains on for several minutes.
  2. After reverting back to mains supply check the charge indicator light is illuminated.
- Six Monthly:**  
(1 Hour)
1. Simulate a mains failure and check that the emergency lamp illuminates and remains on for one hour.
  2. After reverting back to mains supply check the charge indicator light is illuminated.
  3. On restoring the mains supply the unit will require approximately 24 hours to recharge before becoming fully operational.
- Three Years:**  
(3 Hours)
1. Simulate a mains failure and check that the emergency lamp illuminates and remains on for at least 3 hours.
  2. After reverting back to mains supply check the charge indicator light is illuminated.
  3. On restoring the mains supply the unit will require approximately 24 hours to recharge before becoming fully operational.

It is recommended that the battery packs and lamps are replaced every 4 years or sooner if the units performance fails to meet the above requirements. To maintain optimum unit performance, only approved replacement battery packs and lamps must be used.

All routine maintenance checks must be recorded on the unit Routine Test Record and must be made available for inspection at all times.

**Installation and Commissioning Record**

Luminaire Model Ref: \_\_\_\_\_ Location: \_\_\_\_\_  
 Installed By: \_\_\_\_\_ Date: \_\_\_\_\_  
 Commissioned by: \_\_\_\_\_ Date: \_\_\_\_\_  
 (Full Charge and Discharge Cycle)

**Routine Test Record**

Monthly Test	First Year		Second Year		Third Year		Forth Year		Fifth Year	
	Signed	Dated	Signed	Dated	Signed	Dated	Signed	Dated	Signed	Dated
Functional										
Functional										
Functional										
Functional										
Functional										
1 Hour Duration										
Functional										
Functional										
Functional										
Functional										
Functional										
1 Hour Duration										
3 Hour Duration										

**Suitable for use indoors**

Geeignet für Innenanwendung

Pour un usage interne

Adecuada para uso en interiores

Geschikt voor gebruik binnen

Lämplig för inomhusbruk



- Replace any cracked protective shield.**  
 Dieses symbol bedeutet, dass defekte Schutzgläser sofort ersetzt werden müssen.  
**Ce symbol indique que vous devez remplacer tout verre de protection fêlé.**  
 Este simbolo indica que hay que 'reemplazar filtros en caso de rotura o desperfectos'.  
**Dette symbolet indikerer at alle ødelagte (sprukne) sikkerhetsglass må skiftes.**  
 Valaisinta el saa käyttää ilman suojalasia vioittunut suojalasi on vaihdettava uuteen ennen valaisimen käyttöön ottoa.

< Millimetres >



This Electrical Product MUST be recycled.



02.08

**Concord**

Avis Way Newhaven East Sussex BN9 0ED  
 T 0870 606 2030 F 01273 512 688 email: information@concordmarlin.com

