
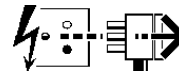



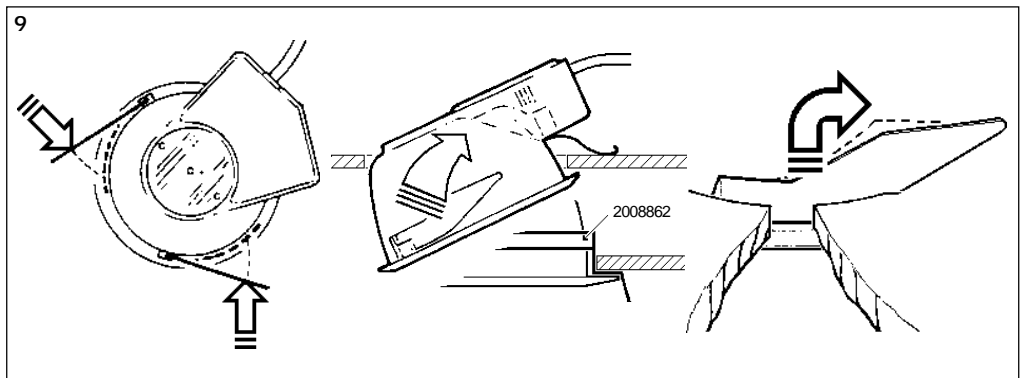
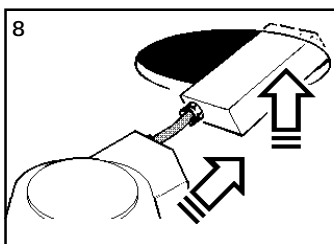
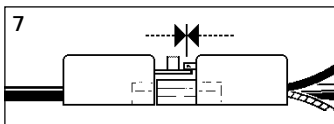
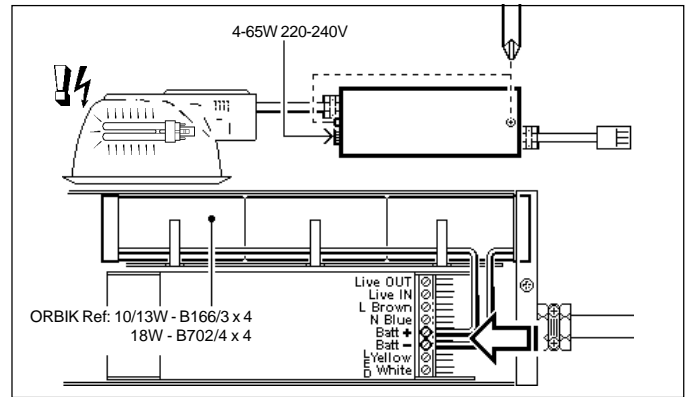
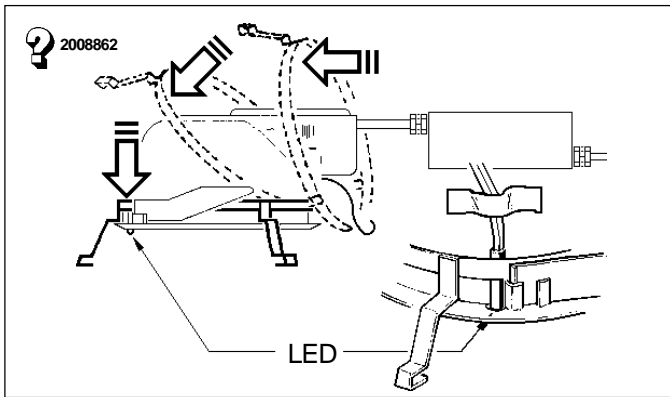
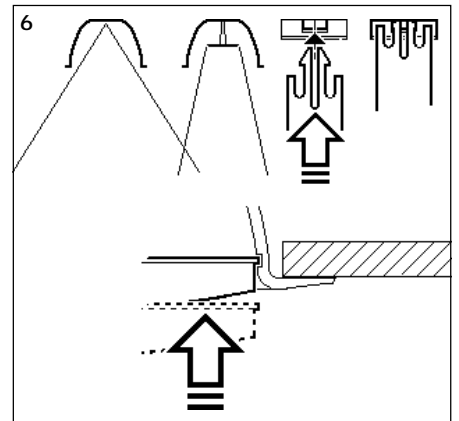
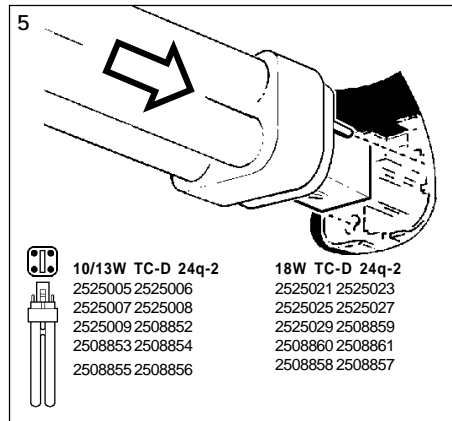
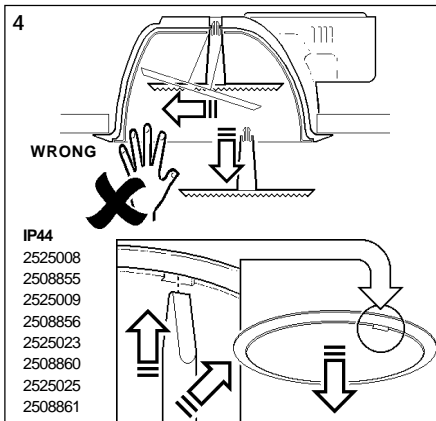
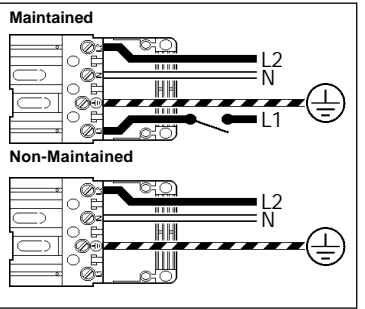
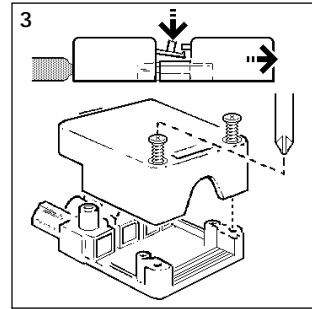
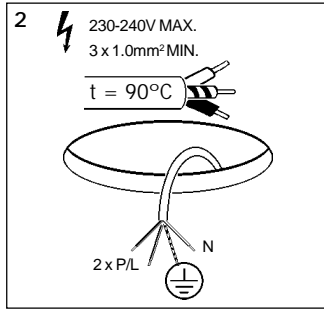
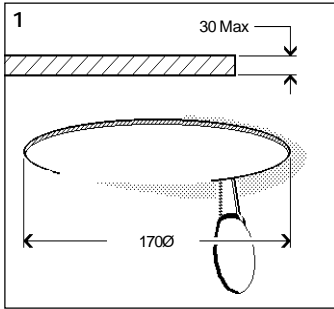
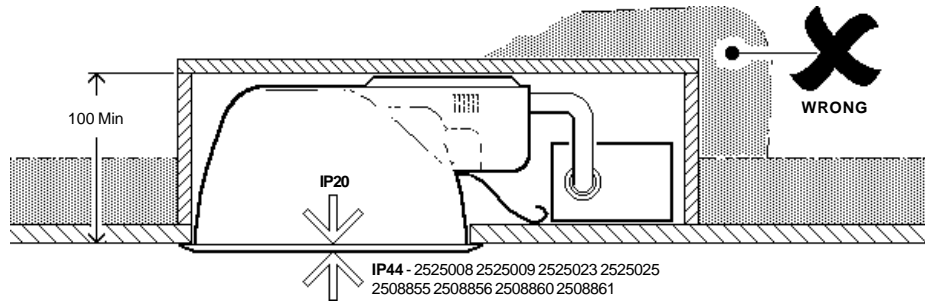
+   
 2525005 2525006 2525007  
 2525008 2525009 2525021  
 2525023 2525025 2525027  
 2525029

**Disconnect from mains supply before replacing the fuse or the lamp.**  
 Vor dem Einsetzen der Sicherung oder der Lampe Spannungsfreiheit herstellen.  
**Débrancher le secteur avant de remplacer le fusible ou l'ampoule.**  
 Desconectar del suministro de la red, antes de realizar la sustitución del fusible o de la lámpara.  
**Voor het vervangen van lamp of zekering, eerst netspanning uitschakelen.**  
 Koppla bort spänningen före byte av en säkring eller en lampa.



**Switch Off**  
 Abschalten  
**Débrancher**  
 Desconectar  
**Uitschakelen**  
 Stäng av

-   
 2508852 2508853 2508854  
 2508855 2508856 2508859  
 2508860 2508861 2508858  
 2508857



**Routine Maintenance**

Routine maintenance must be carried out in compliance with the requirements of BS5266:Part 1 - Emergency Lighting of Premises.

The following tests assume a three-hour system.

- Daily:**
1. Check that any recorded faults have been rectified.
  2. Check that the maintained emergency lamp is operative.
  3. Check that the charge indicator light is illuminated.
- Monthly:**  
(Functional)
1. Simulate a mains failure and check that the emergency lamp illuminates and remains on for several minutes.
  2. After reverting back to mains supply check the charge indicator light is illuminated.
- Six Monthly:**  
(1 Hour)
1. Simulate a mains failure and check that the emergency lamp illuminates and remains on for one hour.
  2. After reverting back to mains supply check the charge indicator light is illuminated.
  3. On restoring the mains supply the unit will require approximately 24 hours to recharge before becoming fully operational.
- Three Years:**  
(3 Hours)
1. Simulate a mains failure and check that the emergency lamp illuminates and remains on for at least 3 hours.
  2. After reverting back to mains supply check the charge indicator light is illuminated.
  3. On restoring the mains supply the unit will require approximately 24 hours to recharge before becoming fully operational.

It is recommended that the battery packs and lamps are replaced every 4 years or sooner if the units performance fails to meet the above requirements. To maintain optimum unit performance, only approved replacement battery packs and lamps must be used.

All routine maintenance checks must be recorded on the unit Routine Test Record and must be made available for inspection at all times.

**Installation and Commissioning Record**

Luminaire Model Ref: \_\_\_\_\_ Location: \_\_\_\_\_

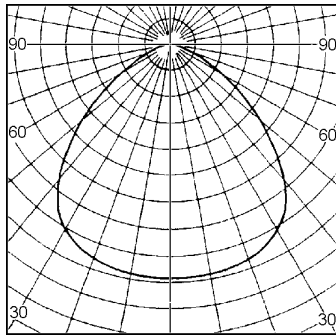
Installed By: \_\_\_\_\_ Date: \_\_\_\_\_

Commissioned by: \_\_\_\_\_ Date: \_\_\_\_\_  
(Full Charge and Discharge Cycle)

**Routine Test Record**

Monthly Test	First Year		Second Year		Third Year		Forth Year		Fifth Year	
	Signed	Dated	Signed	Dated	Signed	Dated	Signed	Dated	Signed	Dated
Functional										
Functional										
Functional										
Functional										
Functional										
1 Hour Duration										
Functional										
Functional										
Functional										
Functional										
Functional										
1 Hour Duration										
3 Hour Duration										

**V. ANGLE VISUAL**



**EMERGENCY PHOTOMETRIC DISTRIBUTION DATA (EN60 598.2.22.16.2)**

Cat. No.	Emer.	0	5	10	15	20	25	30	35	40	45	50	55	60	65	70	75	80	85	90
2525005 2508852 <b>10W White</b>	142	48	47	46	45	45	45	45	43	39	31	27	18	14	12	9	3	2	0.6	0
2525006 2525007 2508853 2508854 <b>10W Silver/Gold</b>	150	51	47	42	40	41	44	41	38	38	38	34	24	10	0.7	0.1	0.06	0	0	0
2525005 2508852 <b>13W White</b>	210	81	78	76	76	75	75	72	63	52	45	30	24	20	15	5	3	1	0	0
2525006 2525007 2508853 2508854 <b>13W Silver/Gold</b>	213	87	82	78	80	82	85	80	72	70	68	60	45	17	1	0.2	0.1	0	0	0
2525029 2508857 <b>18W White</b>	213	73	70	68	68	67	67	67	65	58	47	41	27	22	18	13	4	3	0.9	0
2525027 2525021 2508858 2508859 <b>18W Silver/Gold</b>	228	79	77	76	78	82	85	77	71	70	69	68	60	30	4	0.4	0.2	0.1	0	0
2525008 2508855 <b>10W Opal</b>	118	46	46	46	44	42	41	37	35	32	28	23	20	16	12	9	5	3	1	0.2
2525009 2508856 <b>10W Prismatic</b>	118	100	98	81	63	52	44	38	32	27	23	20	16	13	11	8	5	3	1	1.5
2525008 2508855 <b>13W Opal</b>	162	69	69	69	66	63	61	56	52	48	42	35	30	24	18	14	8	5	2	0.3
2525009 2508856 <b>13W Prismatic</b>	168	150	147	121	94	78	66	57	48	41	34	30	24	20	17	12	7.5	4.5	1.5	2
2525023 2508860 <b>18W Opal</b>	174	66	66	65	64	60	59	54	49	45	39	34	28	23	18	13	9	5	3	1
2525025 2508861 <b>18W Prismatic</b>	162	117	114	95	82	70	61	51	45	39	33	30	23	18	15	11	8	5	2	1
2525005 2508852 <b>10W Diffuser</b>	116	65	63	61	58	54	49	40	23	22	20	14	11	9	8	4	2	0.06	0	0
2525006 2525007 2508853 2508854 <b>10W Diffuser</b>	122	71	68	60	55	50	44	36	29	25	20	15	9	6	4	4	2	0.04	0	0
2525005 2508852 <b>13W Diffuser</b>	174	108	105	102	97	90	82	66	38	36	32	24	18	15	13	6	3	0.1	0	0
2525006 2525007 2508853 2508854 <b>13W Diffuser</b>	174	124	120	114	109	99	87	70	56	46	35	27	18	11	9	7	4	0.1	0	0
2525029 2508857 <b>18W Diffuser</b>	174	97	94	92	88	81	74	60	34	33	29	22	16	14	12	5	3	0.09	0	0
2525027 2525021 2508858 2508859 <b>18W Diffuser</b>	183	105	103	100	98	94	86	72	57	49	39	33	26	16	10	7	4	0.2	0.1	0

**Suitable for use indoors**  
Geeignet für Innenanwendung  
**Pour un usage interne**  
Adecuada para uso en interiores  
**Geschikt voor gebruik binnen**  
Lämplig för inomhusbruk



**Replace any cracked protective shield.**  
Dieses symbol bedeutet, dass defekte Schutzgläser sofort ersetzt werden müssen.  
**Ce symbol indique que vous devez remplacer tout verre de protection fêlé.**  
Este simbolo indica que hay que reemplazar filtros en caso de rotura o desperfectos.  
 **Dette symbolet indikerer at alle ødelagte (sprukne) sikkerhetsglass må skiftes.**  
Valaisinta el saa käyttää ilman suojalasia vioitunut suojalasi on vaihdettava uuteen ennen valaisimen käyttööön ottoa.

< Millimetres >



This Electrical Product **MUST** be recycled.



02.08

**Concord**

Avis Way Newhaven East Sussex BN9 0ED  
T 0870 606 2030 F 01273 512 688 email: information@concordmarlin.com

