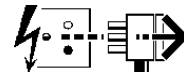


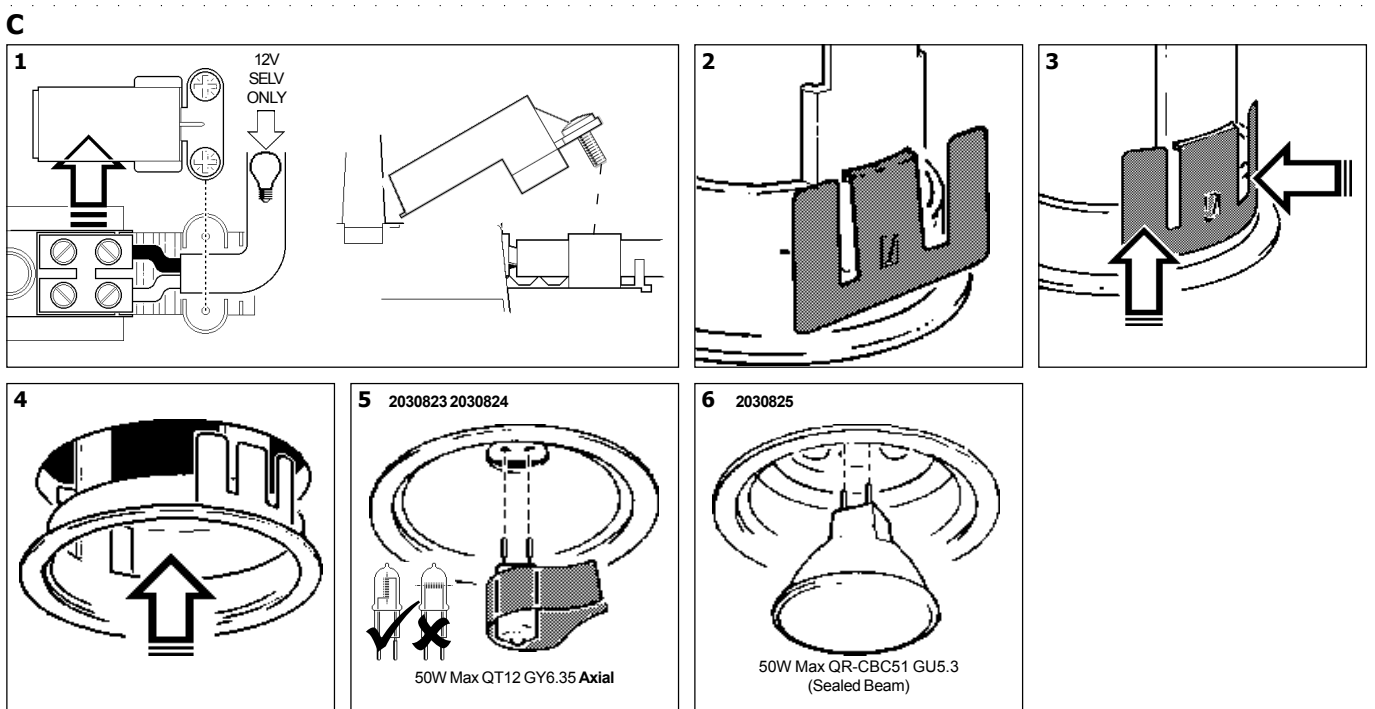
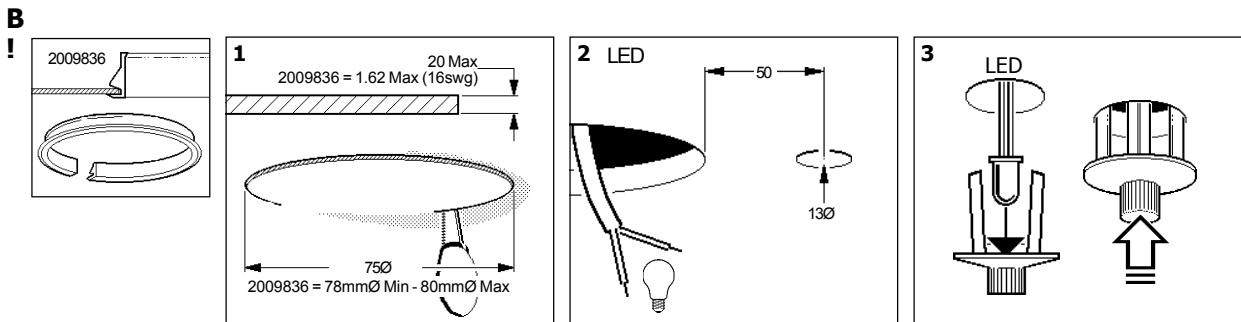
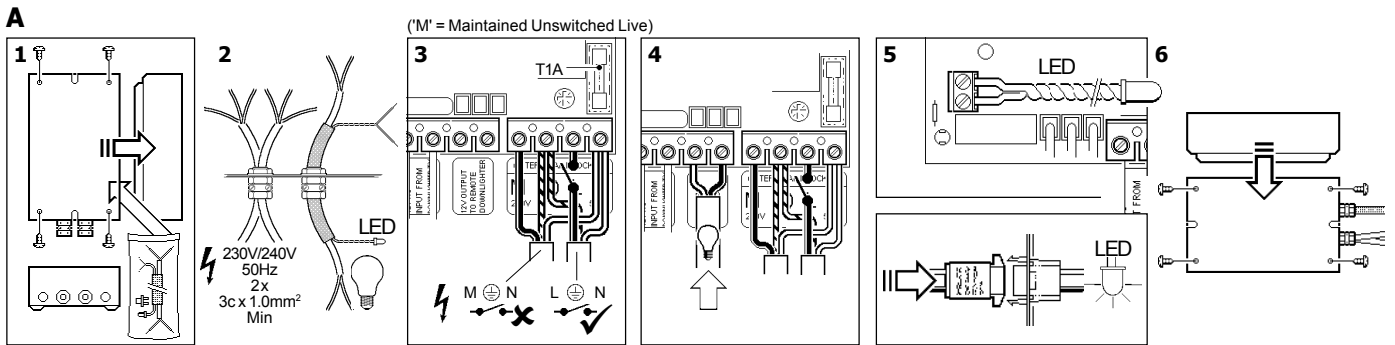
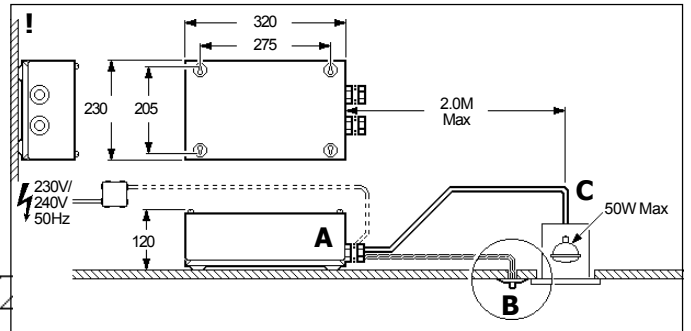
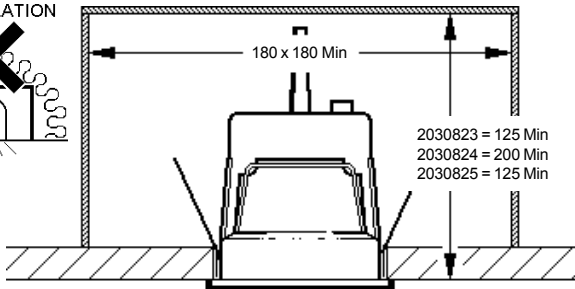
2030823 2030824 2030825

Disconnect from mains supply before replacing the fuse or the lamp.
 Vor dem Einsetzen der Sicherung oder der Lampe Spannungsfreiheit herstellen.
Débrancher le secteur avant de remplacer le fusible ou l'ampoule.
 Desconectar del suministro de la red, antes de realizar la sustitución del fusible o de la lámpara.
Voor het vervangen van lamp of zekering, eerst netspanning uitschakelen.
 Koppla bort spänningen före byte av en säkring eller en lampa.



Switch Off
 Abschalten
Couper le secteur
 Desconectar
Uitschakelen
 Stäng av

!! 13Kg

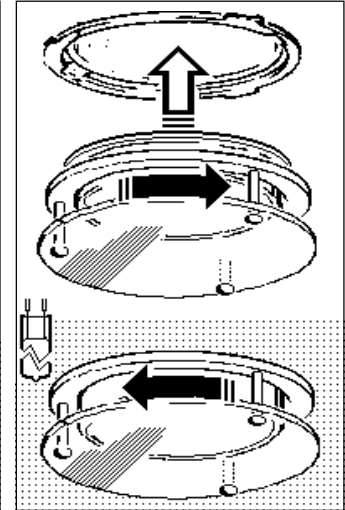
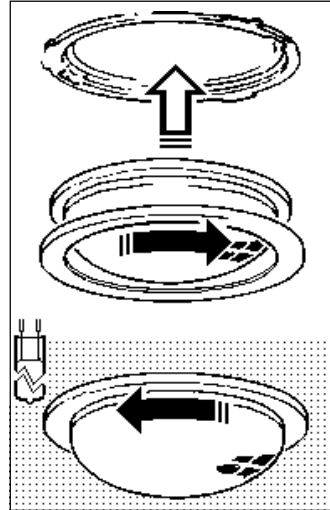
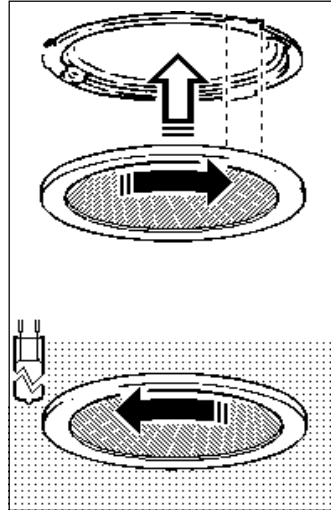
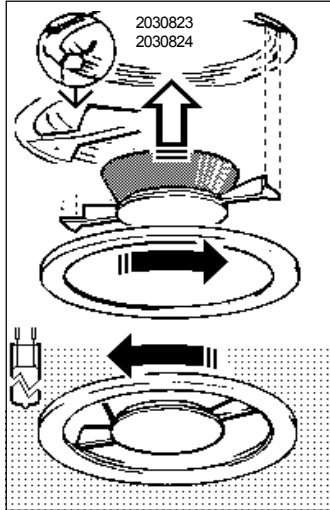


Spilling
2017392 2017393 2017394 2017395 2017396

Decorative Ring
2017346 2017347 2017356 2017357 2017358
2017359

Shallow Dish - IP44
2017373 2017374 2017375 2017376

Floating Glass
2017400 2017401 2017402



Shallow Ring
2017360 2017361 2017362 2017363

Glow Ring
2017380 2017381 2017382 2017383 2017384
2017385

Deep Decorative Ring
2017364 2017365 2017366 2017367 2017368
2017369 2017370 2017371 2017372

Metal Ring
2017377 2017378 2017379

Routine Testing.

Testing should be carried out in accordance with the recommendations of BS5266.

- 1.) A monthly functional test.
- 2.) Twice yearly, a one hour duration test.
- 3.) Every three years, a full three hour duration test.
- (The above tests assume a three hour system)
- 4.) Batteries should be replaced when the luminaire no longer meets the 3 hours duration performance.
- 5.) Testing could be performed by interrupting the fixed phase supply for the test duration, during which the luminaire should remain lit.
- 6.) Ensure that the 'LED' is 'OFF' during 'Discharge Mode', and 'On' during 'Charging Mode'.
- 7.) Replace faulty lamps immediately

To assist with this testing, a test record card is included below.

If the charge indicator (LED) is unlit, this signifies a fault. To increase the chance of a fault being reported between monthly tests, it is desirable that staff are made aware of the purpose of the indicator.

This module should not be modified or repaired by any person other than those nominated by the manufacture. ANY unauthorised modifications may render the module unsafe and will invalidate our warranty and conformance to any safety standards that may apply. The company will accept no responsibility for any modified modules, or for damage caused as a result of modifications.

All details are given for guidance only and do not constitute a contract. We reserve the right to change the characteristics of products without notice.

Test Record

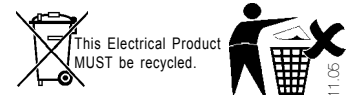
Type:..... Location:.....

Month	Test	1st. Year	2nd. Year	3rd. Year	4th. Year	5th. Year
	1. Functional					
	2. Functional					
	3. One Hour					
	4. Functional					
	5. Functional					
	6. Functional					
	7. Functional					
	8. Functional					
	9. One Hour					
	Three Hour					
	10. Functional					
	11. Functional					
	12. Functional					

The Test Engineer should sign and date each test

Myriad is a registered trademark of Concord Lighting Limited.
These products are protected by the following trademark registrations:
U.K.-1307938, Benelux-433598, International-525070, Sweden-209849,
Finland-105583, Norway-136800, Denmark-6177/1989, Japan-2509585.

Suitable for use indoors
Geeignet für Innenanwendung
Pour un usage interne
Adecuada para uso en interiores
Geschikt voor gebruik binnen
Lämpig för inomhusbruk



< Millimetres >

Concord:marlin

Avis Way Newhaven East Sussex BN9 0ED
T 0870 606 2030 F 01273 512 688 email: information@concordmarlin.com

