

# Shaverlight 60W

IP21



## Installation Instructions for: NL6820

### SAFETY

Follow the appropriate national wiring regulations. If in any doubt contact a qualified Electrician.

Disconnect from Mains supply before installation, maintenance or replacing the lamp. Lamps reach maximum temperatures rapidly. Take care when adjusting, relamping or cleaning.

Newey and Eyre accepts no responsibility for modified products or for the effects of cleaning solvents or for the accumulation of dust or dirt.

Do not interconnect Class III products with Class I or Class II. All products are suitable for use in ambient temperatures of 25° C. The products should not be covered with any heat insulating material, air flow around the fitting should not be restricted. Note minimum distances to adjacent surfaces. Any enclosure which prevents normal heat dissipation may cause reduced performance, overheating or risk of fire. (see Installation Instructions for recommendations).

These products should be connected to the lighting circuit, or fused at a maximum of 5A. If a dimmer is installed it must be specifically rated as suitable for the equipment used.

These products have a shaver socket with an output of 240V (2467440) or a dual voltage of 240V/115V (2425733) with a maximum power consumption of 20VA. A protection device is fitted, which will render the socket inoperable should the maximum load be exceeded. If this should occur, switch off the mains supply and withdraw the plug from the socket. The device will reset itself after a period of time (5 mins). The socket will continuously accommodate a 20W load for 20 mins prior to a 5 mins recovery period. This may be repeated once before a substantial rest period is necessary.

After completing the installation note the suppliers name, address and purchase date and hand this leaflet to the person responsible for lighting maintenance, for future reference.

Follow these instructions carefully to ensure safe and reliable operation. In case of any queries contact your supplier.

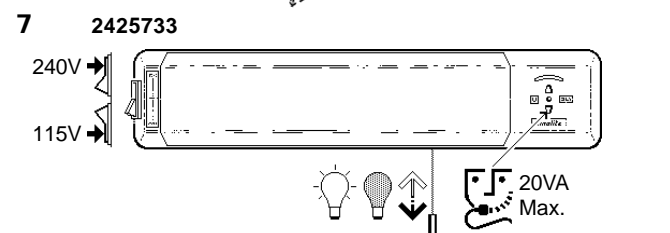
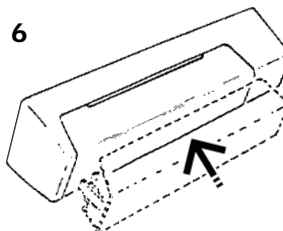
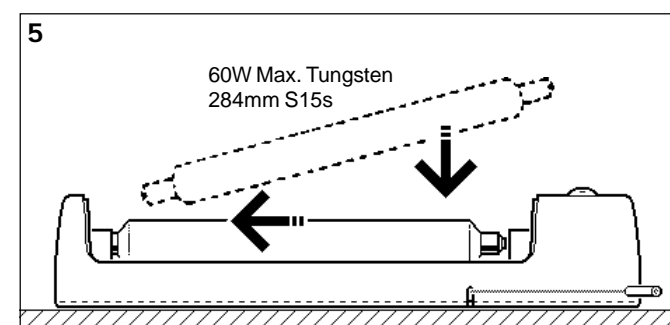
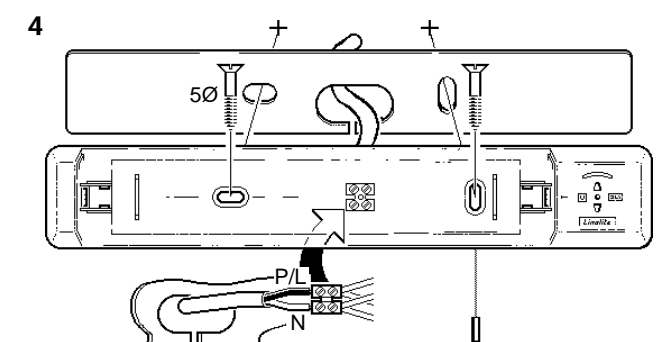
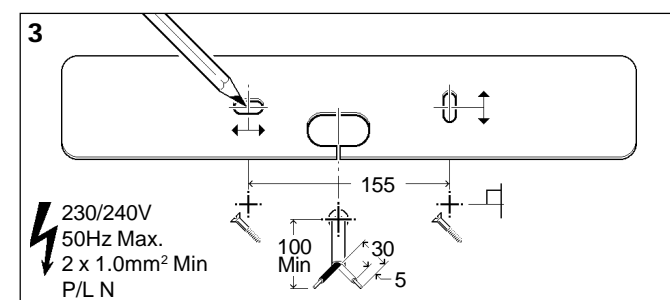
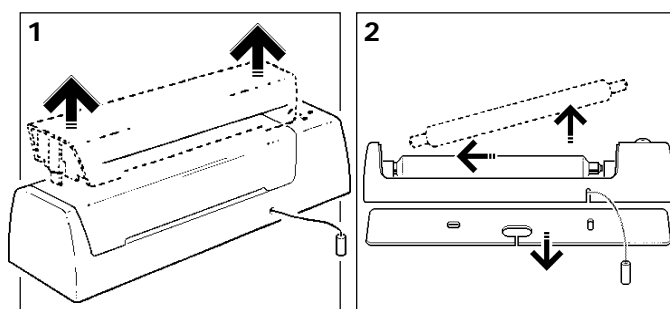
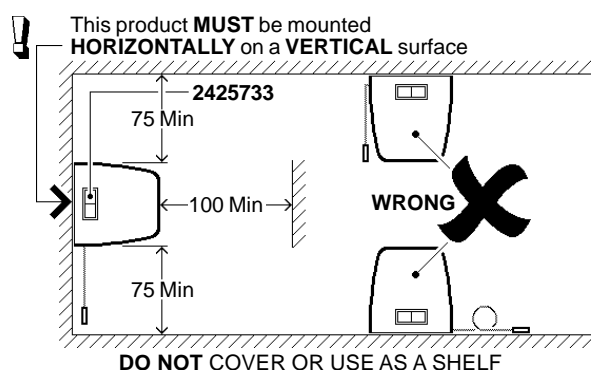
The following symbols may be found on the product or labels:

- Class I. This fitting Must be Earthed and Equipotentially bonded
- This fitting is suitable for mounting on Normally flammable surfaces.
- Indicates the safest minimum distance of lamp from a flammable surface.
- Class II Double insulated. This fitting must not be Earthed.
- Class III. Low Voltage (SELV).

Throughout these instructions the following coding may be used:

- Line (L) - Brown or Red.
- Neutral (N) - Blue or Black.
- Earth (⊕) - Green/Yellow or Bare Conductor

All Dimensions are in Millimetres.



This Electrical Product MUST be recycled.

Should you have any queries with this product please contact your local Newey and Eyre branch

