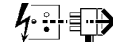
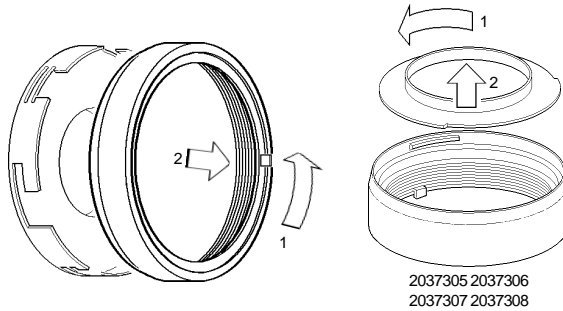


**Disconnect from mains supply before replacing the fuse or the lamp.**  
**Vor dem Einsetzen der Sicherung oder der Lampe Spannungsfreiheit herstellen.**  
**Débrancher le secteur avant de remplacer le fusible ou l'ampoule.**  
**Desconectar del suministro de la red, antes de realizar la sustitución del fusible o de la lámpara.**  
**Voor het vervangen van lamp of zekering, eerst netspanning uitschakelen.**  
**Koppla bort spänningen före byte av en säkring eller en lampa.**



**Switch Off**  
**Abbrechen**  
**Couper le connecteur**  
**Desconectar**  
**Uitschakelen**  
**Stäng av**

**TeQ Spots - 70mm**  
 2037301 2037302 2037303 2037304  
 2037305 2037306 2037307 2037308  
 2037310 2037311 2037312 2037313  
**TeQ Spots - 112mm**  
 2037323 2037324 2037325 2037326  
 2037327 2037328 2037330 2037331  
 2037332 2037333 2037334 2037335  
 2037336 2037337 2037338 2037340



2037305 2037306  
 2037307 2037308

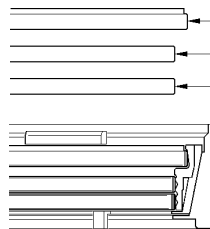
**Safety Lens**

	<b>Flood</b> 2037460 - 70mm 2027234 - 112mm	or⇒		<b>Elongation</b> 2037462 - 70mm 2027239 - 112mm	or⇒		<b>Spot</b> 2037458 - 70mm 2027238 - 112mm	or⇒		<b>Wide Flood</b> 2037461 - 70mm 2032480 - 112mm	or⇒		<b>Low Glare Spot</b> 2037457 - 70mm 2037463 - 112mm
--	---------------------------------------------------	-----	--	--------------------------------------------------------	-----	--	--------------------------------------------------	-----	--	--------------------------------------------------------	-----	--	------------------------------------------------------------

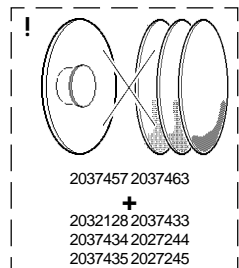
**Glass Filters**

	<b>Honeycomb</b> 2037432 - 70mm 2027240 - 112mm	or⇒		<b>UV</b> 2037436 - 70mm 2027241 - 112mm	or⇒		<b>Daylight</b> 2037437 - 70mm 2027246 - 112mm	or⇒		<b>Fleshtone</b> 2037438 - 70mm 2032127 - 112mm	or⇒		<b>Red</b> 2037434 - 70mm 2027244 - 112mm
										<b>Amber</b> 2037435 - 70mm 2027245 - 112mm			<b>Mid Blue</b> 2037433 - 70mm 2032128 - 112mm

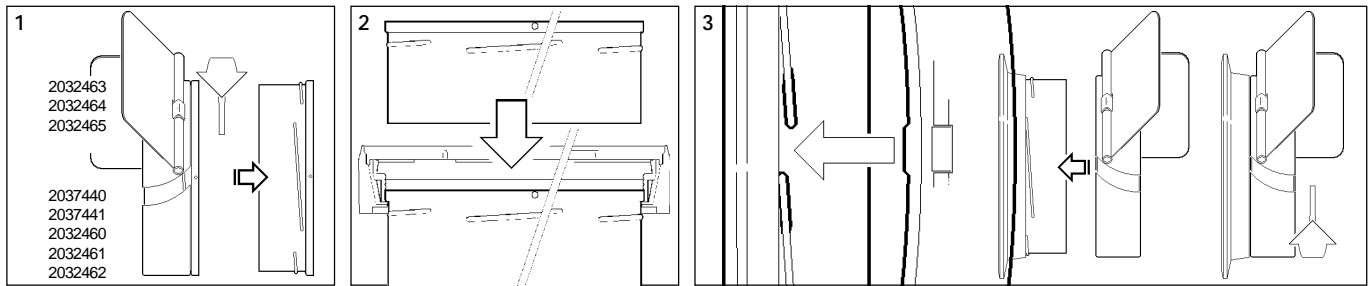
	Honeycomb	UV Filter	Daylight	Dydimium Pink	Red	Amber	Mid Blue	Glare Shield	Barn Door	Gel Holder
Honeycomb	●	●	●	●	●	●	●	●	●	●
UV Filter	●	●	●	●	●	●	●	●	●	●
Daylight	●	●	●	●	●	●	●	●	●	●
Dydimium Pink	●	●	●	●	●	●	●	●	●	●
Red	●	●	●	●	●	●	●	●	●	●
Amber	●	●	●	●	●	●	●	●	●	●
Mid Blue	●	●	●	●	●	●	●	●	●	●
Glare Shield	●	●	●	●	●	●	●	●	●	●
Barn Door	●	●	●	●	●	●	●	●	●	●
Gel Holder	●	●	●	●	●	●	●	●	●	●



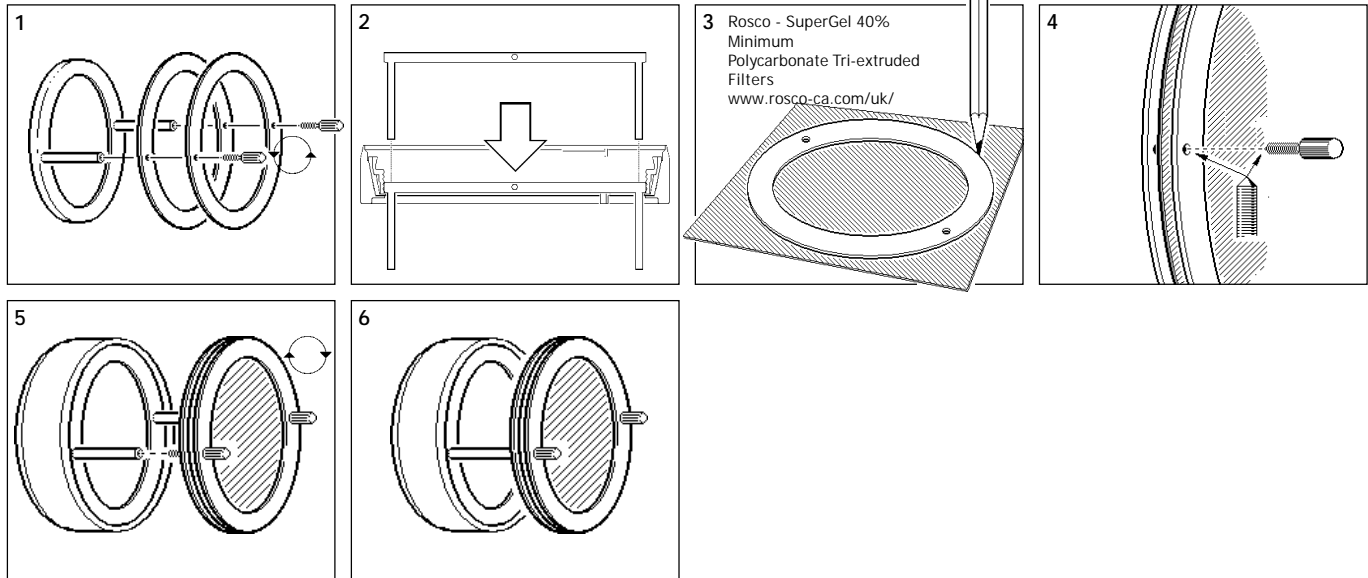
Safety Lens  
 Filters - 70mm  
 (2037436 2037437 2037438)  
 Filters - 112mm  
 (2027241 2027246 2032127)  
 Filters - 70mm  
 (2037432 2037436 2037437  
 2037434 2037435 2037433)  
 Filters - 105mm  
 (2027240 2027241 2027246  
 2027244 2027245 2032128)



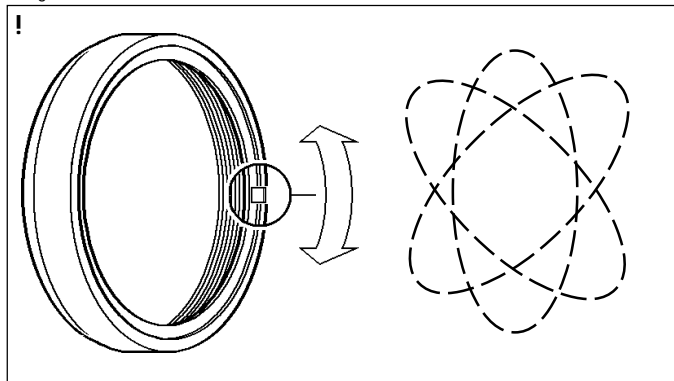
Cowl 70mm - 2037440 2037441 112mm - 2032460 2032461 2032462 Barn Door 112mm - 2032463 2032464 2032465



Gel Holder 70mm - 2037442 2037443 112mm - 2032466m 2032467 2032468





Elongation Lens 70mm - 2037462 112mm - 2027239



**Suitable for use indoors**  
 Geeignet für Innenanwendung  
**Pour un usage interne**  
 Adecuada para uso en interiores  
**Geschikt voor gebruik binnen**  
 Lämpig för inomhusbruk



 **Replace any cracked protective shield.**  
 Dieses Symbol bedeutet, dass defekte Schutzgläser sofort ersetzt werden müssen.  
**Ce symbol indique que vous devez remplacer tout verre de protection fêlé.**  
 Este símbolo indica que hay que 'reemplazar filtros en caso de rotura o desperfectos'.  
 **Dette symbolet indikerer at alle ødelagte (sprukne) sikkerhetsglass må skiftes.**  
 Valaisinta el saa käyttää ilman suojalasia vioitunut suojalasi on vaihdettava uuteen ennen valaisimen käyttöön ottoa.

< Millimetres >



This Electrical Product  
**MUST** be recycled.



06.08

# Concord

Avis Way Newhaven East Sussex BN9 0ED  
 T 0870 606 2030 F 01273 512 688 email: information@concordmarlin.com



© Concord Lighting Ltd.