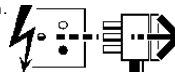


2041980  
2041981  
2041982  
2042747

**Disconnect from mains supply before replacing the fuse or the lamp.**  
 Vor dem Einsetzen der Sicherung oder der Lampe Spannungsfreiheit herstellen.  
**Débrancher le secteur avant de remplacer le fusible ou l'ampoule.**  
 Desconectar del suministro de la red, antes de realizar la sustitución del fusible o de la lámpara.  
**Voor het vervangen van lamp of zekering, eerst netspanning uitschakelen.**  
 Koppla bort spänningen före byte av en säkring eller en lampa.



**Switch Off**  
 Abschalten  
**Débrancher**  
 Desconectar  
**Uitschakelen**  
 Stäng av

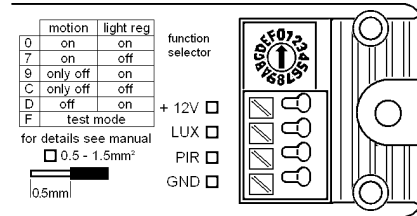
### smartDIM SM Ip

The light value to be regulated can be set to any value by means of a standard external mains voltage switch (see wiring instructions).

smartDIM SM Ip has an internal memory that stores the last dimmer value in the event of a power outage. If, for example, a system is on standby it will continue to be on standby when power returns after the outage.

### smartDIM SM Ip rotary switch

Pos	Motion Detection		Light Regulation	
	Mode	Delay Time	Mode	Light Level Set
0	on	20 mins	on	manual mode
1	on	20 mins	on	automatic mode
2	on	30 mins	on	manual mode
3	on	40 mins	on	manual mode
4	on	adaptive	on	manual mode
5	on / never off	20 mins / off = 3%	on	manual mode
6	on	adaptive	off	-
7	on	20 mins	off	-
8	only off	10 mins	on	manual mode
9	only off	20 mins	on	manual mode
A	only off	30 mins	on	manual mode
B	only off / never off	20 mins / off = 3%	on	manual mode
C	only off	20 mins	off	-
D	off	-	on	manual mode
E	off	-	on	automatic mode
F	Test mode (15 second delay time)			



### Delay Time

The disconnection delay time for the motion detector can be set by means of a rotary switch. The option of switching between a fixed delay time and an adaptive delay time opens up application-specific usage. An adaptive delay time (between 4 minutes and 20 minutes) offers optimum energy consumption. "Adaptive" means that the delay time is automatically adjusted according to the frequency with which presence in the room is detected.

At the end of the delay, the smartDIM SM Ip starts dimming the luminaires down to 3%. The luminaires are then switched off. Dimming down to 3% takes one minute.

### Adaptive Delay Time

The adaptive delay time function calculates the optimum delay time. This may be between 4 and 20 minutes. The delay time depends on the frequency of motion detection. For infrequent detection the delay time is 4 minutes. The time is lengthened step by step, the more time the sensor is passed.

After the luminaires have been switched off by the motion detector the time is reset and starts again at 4 minutes.

### Only Off

This function means the motion detector can be used more efficiently. If the "only off" function is set the motion detector only switches the connected luminaires off. The luminaires are switched on manually via the connected external switch.

### Never Off

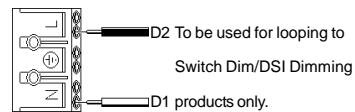
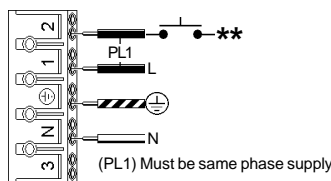
After 20 minutes the lighting is dimmed to 3% with a fade time of 1 minute. The luminaires are not switched off but remain at a basic brightness of 3%.

### Bright-Out and Bright-In

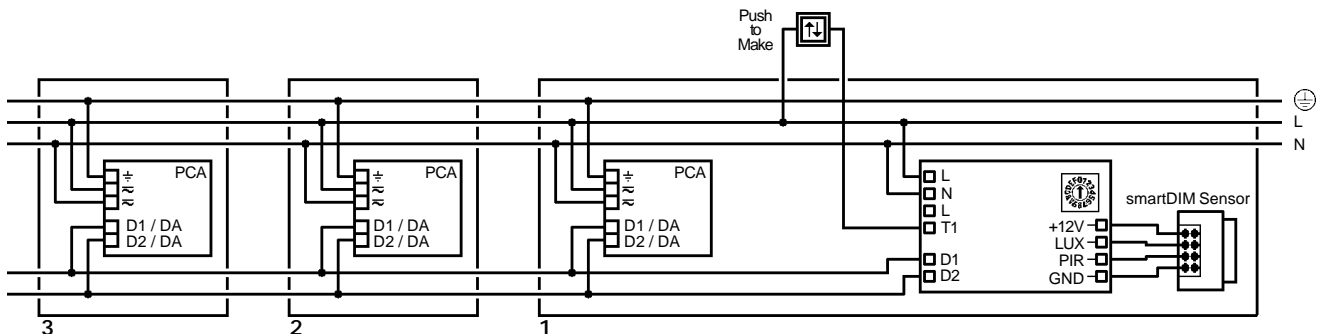
If the nominal illuminance (e.g. 500 lux) is exceeded for 10 minutes by more than 150% (e.g. 750 lux), the luminaires are switched off even if motion is detected.

The lighting is then only switched on in response to detected motion if the current illuminance does not exceed the value stored in the sensor.

### Wiring Instructions



### With up to 25 luminaires without using the internal relay



**Light Level Set**

**Automatic Mode**

Every time the light value is changed with a long press a new setpoint light value is automatically updated and stored.

** Short press (>50-600ms)	ON/OFF
Long press (>600ms)	Setpoint light value is permanently changed

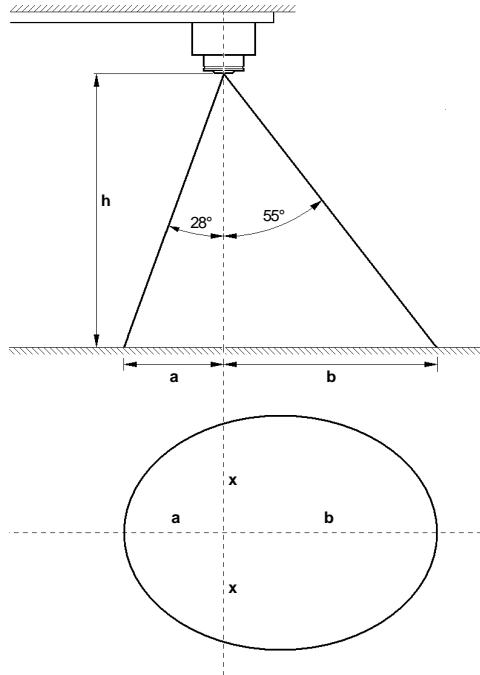
**Manual Mode**

A change in the light value deactivates lighting regulation until manual confirmation (2x short press) on the connected switch.

** Short press (>50-600ms)	ON/OFF
Long press (>600ms)	A change in the light value deactivates lighting regulation only temporarily. As soon as the luminaire has been automatically switched on again (motion detection) or manually switched off and on again, regulation is activated again.
2 x short press	The overwritten setpoint light value is stored (luminaire acknowledges by flashing twice).

**\*\*IMPORTANT NOTE - FOLLOWING INITIAL POWER UP OR RECONNECTION OF POWER TO THE LUMINAIRE, THE SWITCH CONNECTED TO L2 MUST BE OPERATED ON & OFF (>50-600MS) IN ORDER TO ACTIVATE THE LUXCONTROL UNIT INSIDE THE LUMINAIRE.**

**Light Regulation**



h	a	b	x
1.70m	0.90m	2.43m	1.7
1.90m	1.01m	2.71m	1.9
2.10m	1.12m	3.00m	2.1
2.30m	1.20m	3.28m	2.3
2.50m	1.33m	3.57m	2.5

1m = 1.094yds

For further information on 'smartDIM SM ip' go to:

[http://www.tridonicatco.com/kms/media/uploads/smartdim\\_sm\\_ip\\_en.pdf](http://www.tridonicatco.com/kms/media/uploads/smartdim_sm_ip_en.pdf)

Suitable for use indoors  
Geeignet für Innenanwendung  
Pour un usage interne  
Adecuada para uso en interiores  
Geschikt voor gebruik binnen  
Lämplig för inomhusbruk



**Replace any cracked protective shield.**  
Dieses Symbol bedeutet, dass defekte Schutzgläser sofort ersetzt werden müssen.  
**Ce symbole indique que vous devez remplacer tout verre de protection fêlé.**  
Este simbolo indica que hay que 'reemplazar filtros en caso de rotura o desperfectos'.  
**Dette symbolet indikerer at alle ødelagte (sprukne) sikkerhetglass må skiftes.**  
Valaisinta el saa käyttää ilman suojalasia vioitunut suojalasi on vaihdettava uuteen ennen valaisimen käyttöön ottoa.

< Millimetres >



This Electrical Product MUST be recycled.



04.08

**Concord**

Avis Way Newhaven East Sussex BN9 0ED  
T 0870 606 2030 F 01273 512 688 email: information@concordmarlin.com



© Concord Lighting Ltd.