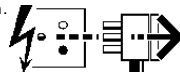


2040827-9
2041182-4
2044144-9
2057322-7

2040826 2041181
2041189-2
2044138-43
2057316-21

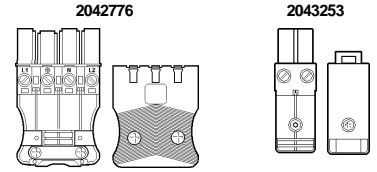
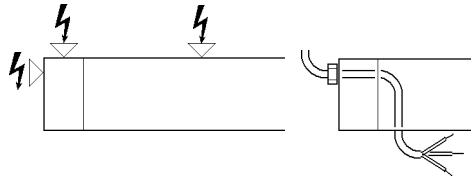
Disconnect from mains supply before replacing the fuse or the lamp.
Vor dem Einsetzen der Sicherung oder der Lampe Spannungsfreiheit herstellen.
Débrancher le secteur avant de remplacer le fusible ou l'ampoule.
Desconectar del suministro de la red, antes de realizar la sustitución del fusible o de la lámpara.
Voor het vervangen van lamp of zekering, eerst netspanning uitschakelen.
Koppla bort spänningen före byte av en säkring eller en lampa.



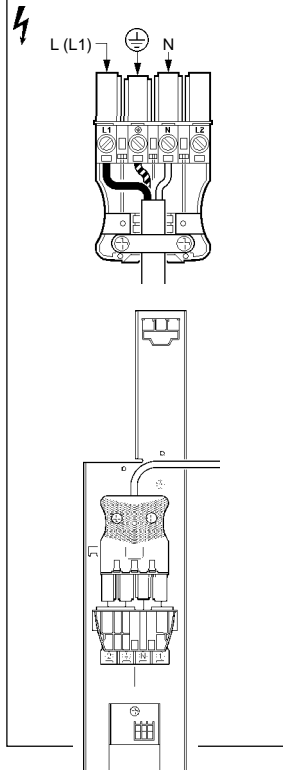
Switch Off
Abschalten
Débrancher
Desconectar
Uitschakelen
Stäng av

2040830 2040831 2040832 2040833 2040834 2040835 2040836 2040837 2040838 2040839 2040840 2040841 2040842 2040843
 2040848 2040844 2041177 2041178 2041179 2041180 2041185 2041186 2041187 2041188
 2042741 - 4 x 2040742 - 2 x
 2042776 - 4 x 2043253 - 2 x

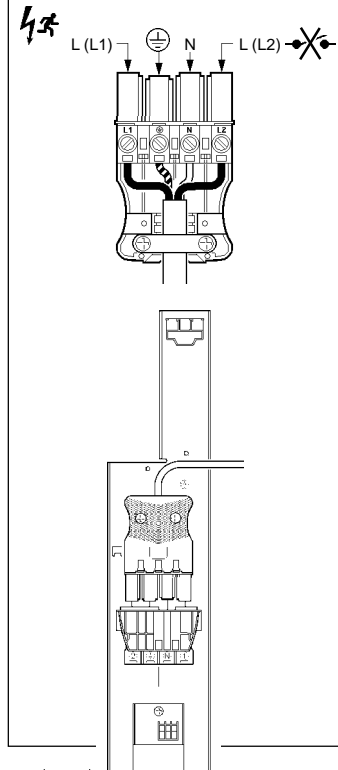
3 x 1.0mm² Min.
 4 x 1.0mm² Min.
 3 x 1.0mm² Min. + 2 x 1.0mm² Min.
 4 x 1.0mm Min² Min. + 2 x 1.0mm² Min.



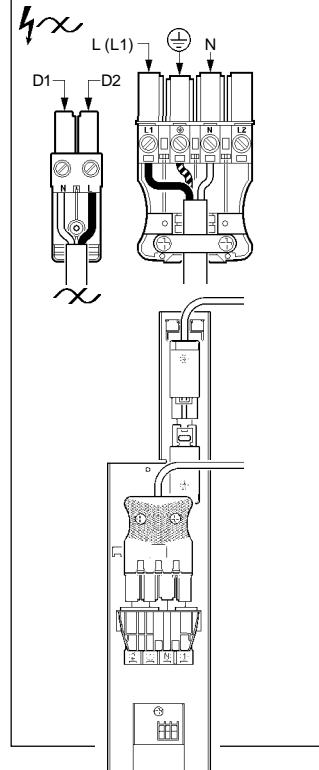
2040830 2040831 2040832 2040833
 2040834 2040837 2040840 2040842



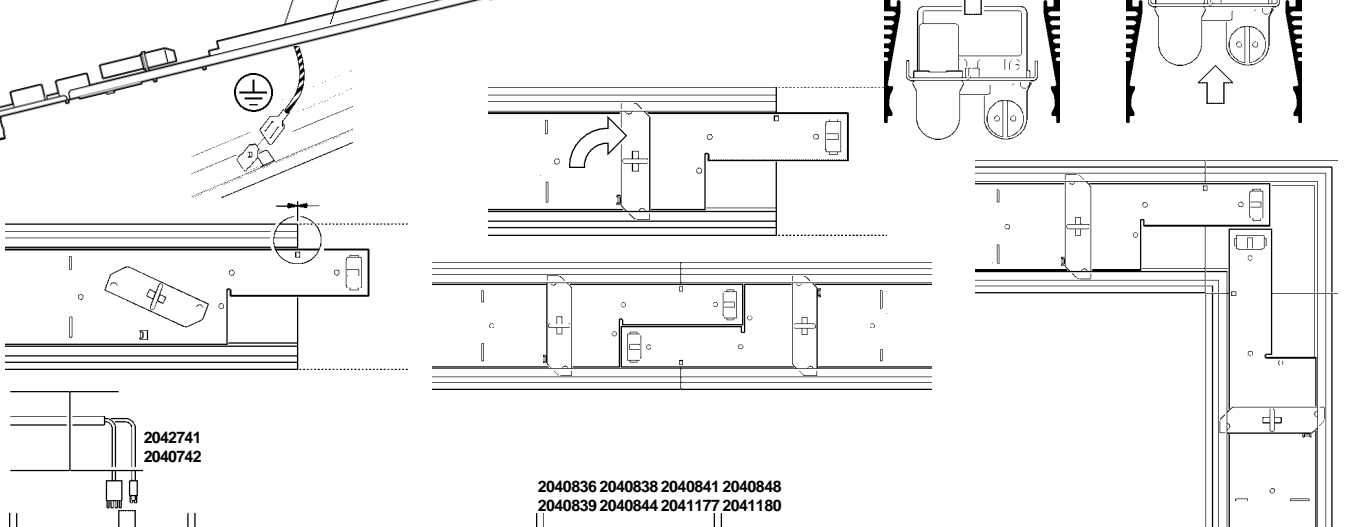
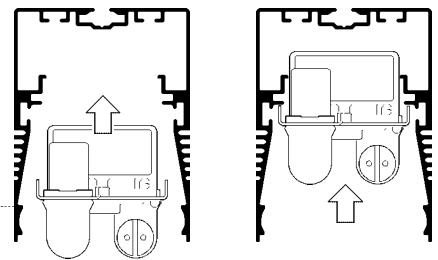
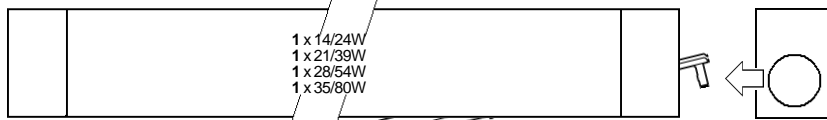
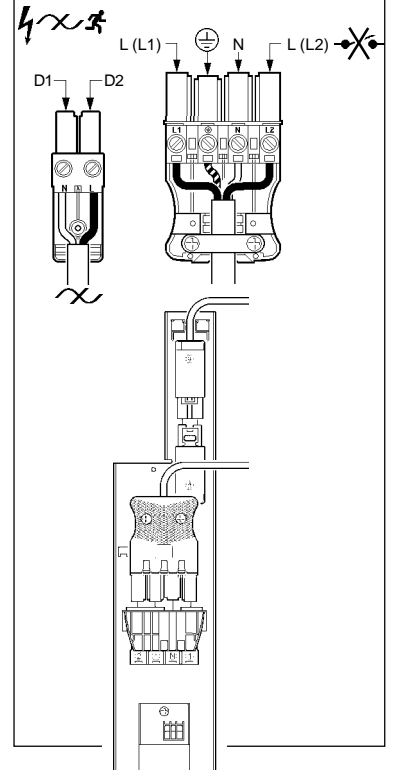
2040836 2040838 2040841 2040848



2040835 2040843 2041178 2041179
 2041185 2041186 2041187 2041188

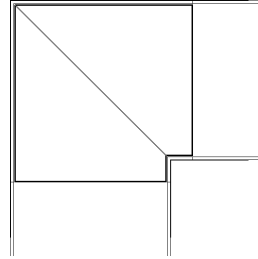
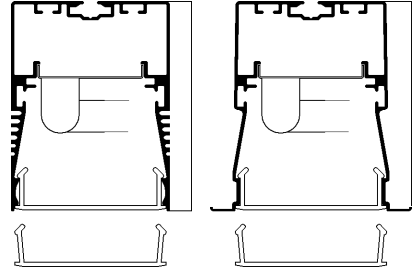
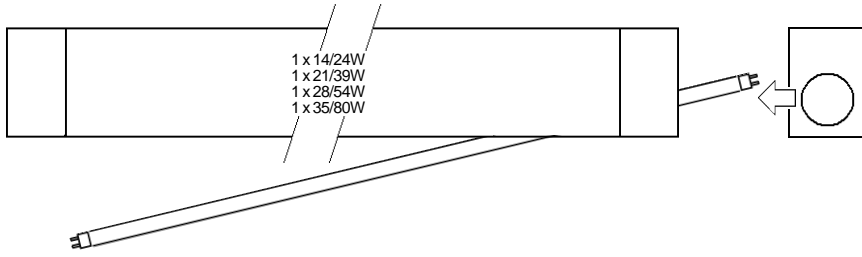


2040839 2040844 2041177 2041180



2042741
 2040742

2040836 2040838 2040841 2040848
 2040839 2040844 2041177 2041180



Routine Maintenance

Routine maintenance must be carried out in compliance with the requirements of BS5266:Part 1 - Emergency Lighting of Premises.

The following tests assume a three-hour system.

- Daily:**
1. Check that any recorded faults have been rectified.
 2. Check that the maintained emergency lamp is operative.
 3. Check that the charge indicator light is illuminated.
- Monthly:**
(Functional)
1. Simulate a mains failure and check that the emergency lamp illuminates and remains on for several minutes.
 2. After reverting back to mains supply check the charge indicator light is illuminated.
- Six Monthly:**
(1 Hour)
1. Simulate a mains failure and check that the emergency lamp illuminates and remains on for one hour.
 2. After reverting back to mains supply check the charge indicator light is illuminated.
 3. On restoring the mains supply the unit will require approximately 24 hours to recharge before becoming fully operational.
- Three Years:**
(3 Hours)
1. Simulate a mains failure and check that the emergency lamp illuminates and remains on for at least 3 hours.
 2. After reverting back to mains supply check the charge indicator light is illuminated.
 3. On restoring the mains supply the unit will require approximately 24 hours to recharge before becoming fully operational.

It is recommended that the battery packs and lamps are replaced every 4 years or sooner if the units performance fails to meet the above requirements. To maintain optimum unit performance, only approved replacement battery packs and lamps must be used.

All routine maintenance checks must be recorded on the unit Routine Test Record and must be made available for inspection at all times.

Installation and Commissioning Record

Luminaire Model Ref: _____ Location: _____
 Installed By: _____ Date: _____
 Commissioned by: _____ Date: _____
 (Full Charge and Discharge Cycle)

Routine Test Record

Monthly Test	First Year		Second Year		Third Year		Forth Year		Fifth Year	
	Signed	Dated	Signed	Dated	Signed	Dated	Signed	Dated	Signed	Dated
Functional										
Functional										
Functional										
Functional										
Functional										
1 Hour Duration										
Functional										
Functional										
Functional										
Functional										
Functional										
1 Hour Duration										
3 Hour Duration										

Suitable for use indoors

Geeignet für Innenanwendung

Pour un usage interne

Adecuada para uso en interiores

Geschikt voor gebruik binnen

Lämplig för inomhusbruk



Replace any cracked protective shield.

This symbol bedeutet, dass defekte Schutzgläser sofort ersetzt werden müssen.

...ique que vous devez remplacer tout verre de protection fêlé.

...dica que hay que 'reemplazar filtros en caso de rotura o desperfectos'.

...t indikerer at alle ødelagte (sprukne) sikkerhetsglass må skiftes.

...käyttää ilman suojalasia vioittunut suojalasi on vaihdettava uuteen ennen valaisimen käyttöön ottoa.

< Millimetres >



This Electrical Product MUST be recycled.



cord

Havells Sylvania Europe LTD
 Avis Way Newhaven East Sussex BN9 0ED UK
 www.havells-sylvania.com

