

Ascent 150 Emergency

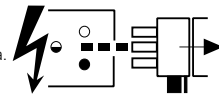


These products must be Earthed

IS1431A

2050737 2050743 2051043 2051759 2052627 2052633
 2052639 2052651 2056037 2056044 2056051 2056058
 2056065 2056072 2056079 2056086 2056093 2056100
 2056107 2056114 2056121 2056128 2056135 2056142

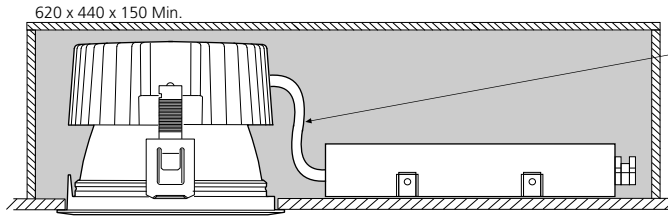
Disconnect from mains supply before replacing the fuse or the lamp.
 Vor dem Einsetzen der Sicherung oder der Lampe Spannungsfreiheit herstellen.
Débrancher le secteur avant de remplacer le fusible ou l'ampoule.
 Desconectar del suministro de la red, antes de realizar la sustitución del fusible o de la lámpara.
Voor het vervangen van lamp of zekering, eerst netspanning uitschakelen.
 Koppla bort spänningen före byte av en säkring eller en lampa.



Switch Off
 Abschalten
Débrancher
 Desconectar
Uitschakelen
 Stäng av



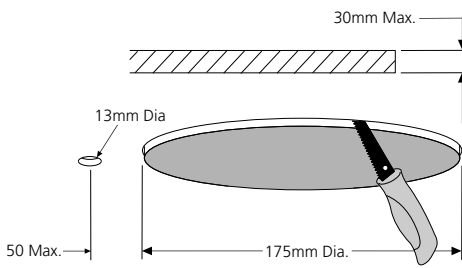
620 x 440 x 150 Min.



If the external cable of this luminaire is damaged, it shall be replaced by a special cable exclusively available from the manufacturer or his agent.

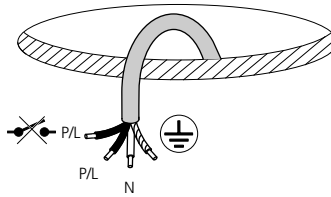
1

i



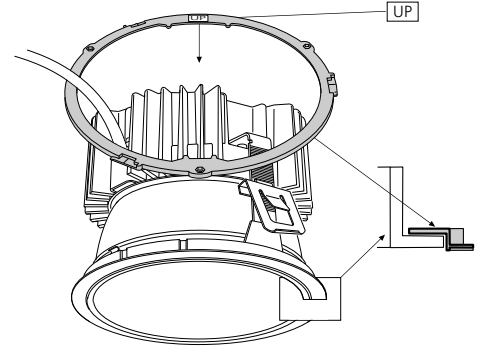
ii

230-240V~ 50-60Hz
 4 x 1.0mm² Min.



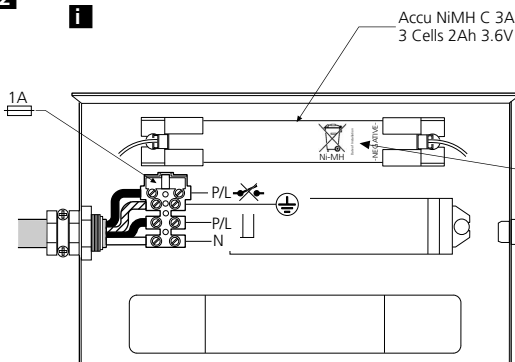
2

IS1150 Accessories

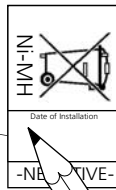


2

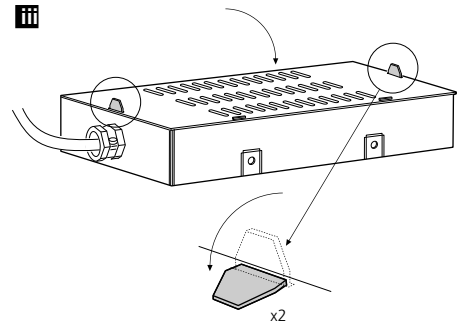
i



ii

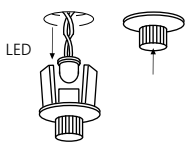


iii

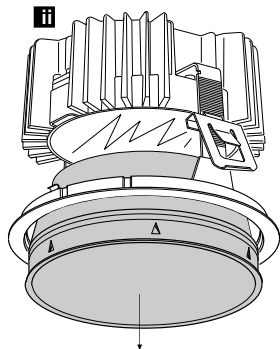


3

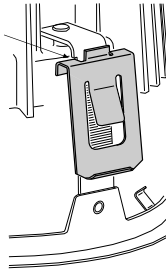
i



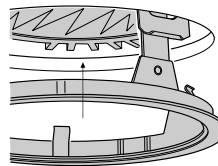
ii



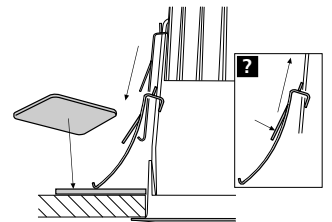
iii



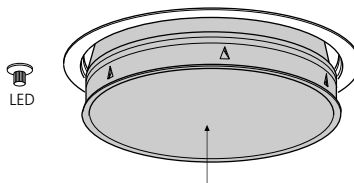
iv



v



4



Routine Testing

Testing should be carried out in accordance with the recommendations of BS5266.

- 1. A monthly functional test.
- 2. Twice yearly, a one hour test.
- 3. Every three years, a full three hour duration test.

The above tests assume a three hour system.

4. Batteries should be replaced when the luminaire no longer meets the 3 hours duration performance.

5. Testing could be performed by interrupting the fixed phase supply for the test duration, during which the luminaire should remain lit.

6. Ensure that the 'LED' is 'OFF' during 'Discharge Mode', and 'ON' during 'Charging Mode'.

7. Replace faulty lamps immediately.

To assist with this testing, a test card is included below.

If the charge indicator (LED) is unlit, this signifies a fault. To increase the chance of a fault being reported between monthly tests, it is desirable that staff are made aware of the purpose of the indicator.


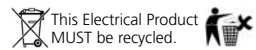
This module should not be modified or repaired by any person other than those nominated by the manufacturer. ANY unauthorised modifications may render the module unsafe and will invalidate our warranty and conformance to any safety standards that may apply. The company will accept no responsibility for any modified modules, or for damage caused as a result of modifications.

All details are given for guidance only and do not constitute a contract. We reserve the right to change the characteristics of products without notice.

Test Record

Type:.....	Location.....					
Month	Test	1st Year	2nd Year	3rd Year	4th Year	5th Year
.....	1. Functional
.....	2. Functional
.....	3. Functional
.....	4. Functional
.....	5. Functional
.....	6. Functional
.....	7. Functional
.....	8. Functional
.....	9. One Hour
.....	Three Hour
.....	10. Functional
.....	11. Function
.....	12. Funtional

Suitable for use indoors
 Geeignet für Innenanwendung
Pour un usage interne
 Adecuada para uso en interiores
Geschikt voor gebruik binnen
 Lämplig för inomhusbruk

Concord

Havells Sylvania Europe LTD
 Avis Way, Newhaven East Sussex BN9 OED UK
 www.havells-sylvania.com



© Concord Lighting Limited 03.12