

# LED 150 LED 1-10V Emergency

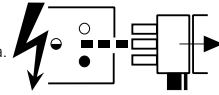
2050738  
2050744  
2051044  
2051760



These products must be Earthed

IS1432

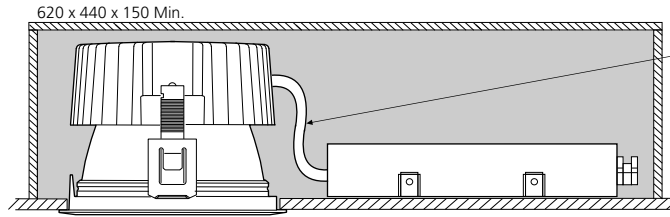
**Disconnect from mains supply before replacing the fuse or the lamp.**  
Vor dem Einsetzen der Sicherung oder der Lampe Spannungsfreiheit herstellen.  
**Débrancher le secteur avant de remplacer le fusible ou l'ampoule.**  
Desconectar del suministro de la red, antes de realizar la sustitución del fusible o de la lámpara.  
**Voor het vervangen van lamp of zekering, eerst netspanning uitschakelen.**  
Koppla bort spänningen före byte av en säkring eller en lampa.



**Switch Off**  
Abschalten  
**Débrancher**  
Desconectar  
**Uitschakelen**  
Stäng av



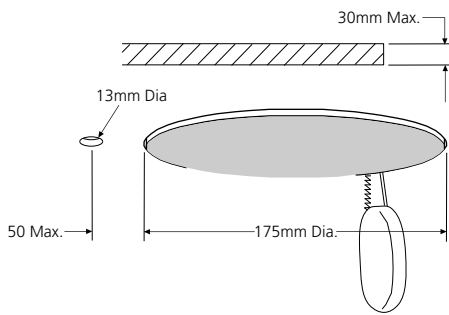
620 x 440 x 150 Min.



If the external cable of this luminaire is damaged, it shall be replaced by a special cable exclusively available from the manufacturer or his agent.

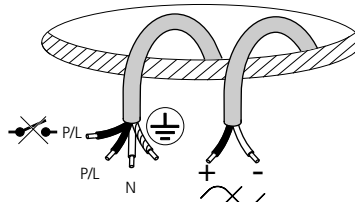
1

i



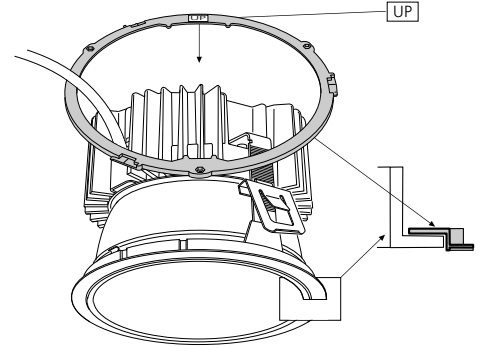
ii

230-240V  
4 x 1.0mm<sup>2</sup> Min.



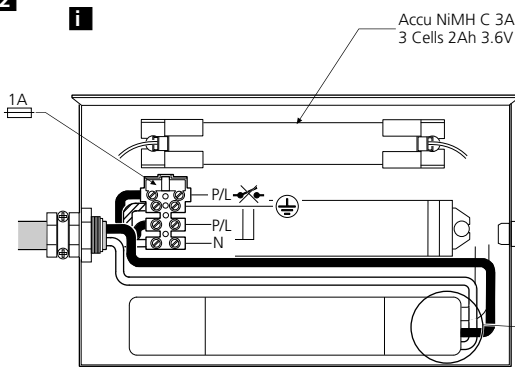
2

IS1150 Accessories



2

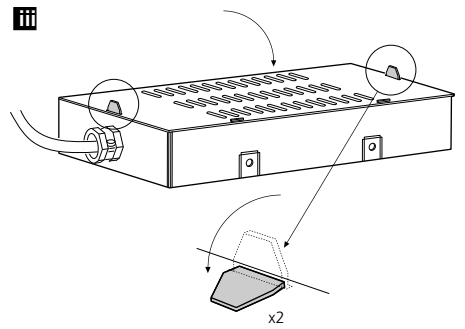
i



ii

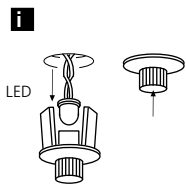
COMMISSIONING DATE	JAN	FEB	MAR	APR
	MAY	JUN	JUL	AUG
	SEP	OCT	NOV	DEC
2010	2011	2012	2013	
2014	2015	2016	2017	
2018	2019	2020	2021	

iii

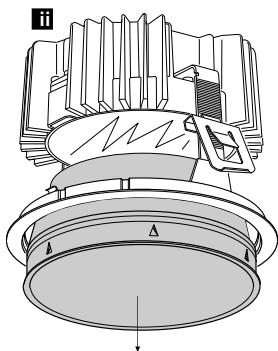


3

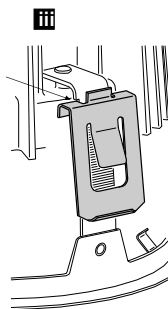
i



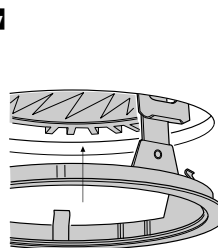
ii



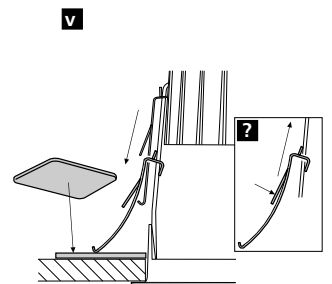
iii



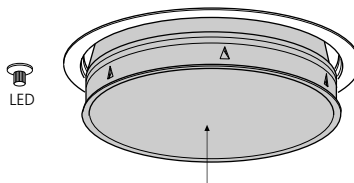
iv



v



4



**Routine Testing**

Testing should be carried out in accordance with the recommendations of BS5266.

- 1. A monthly functional test.
- 2. Twice yearly, a one hour test.
- 3. Every three years, a full three hour duration test.

The above tests assume a three hour system.

4. Batteries should be replaced when the luminaire no longer meets the 3 hours duration performance.

5. Testing could be performed by interrupting the fixed phase supply for the test duration, during which the luminaire should remain lit.

6. Ensure that the 'LED' is 'OFF' during 'Discharge Mode', and 'ON' during 'Charging Mode'.

7. Replace faulty lamps immediately.

To assist with this testing, a test card is included below.

If the charge indicator (LED) is unlit, this signifies a fault. To increase the chance of a fault being reported between monthly tests, it is desirable that staff are made aware of the purpose of the indicator.

This module should not be modified or repaired by any person other than those nominated by the manufacturer. ANY unauthorised modifications may render the module unsafe and will invalidate our warranty and conformance to any safety standards that may apply. The company will accept no responsibility for any modified modules, or for damage caused as a result of modifications.

All details are given for guidance only and do not constitute a contract. We reserve the right to change the characteristics of products without notice.

**Test Record**

Type:.....	Location.....					
Month	Test	1st Year	2nd Year	3rd Year	4th Year	5th Year
	1. Functional					
	2. Functional					
	3. Functional					
	4. Functional					
	5. Functional					
	6. Functional					
	7. Functional					
	8. Functional					
	9. One Hour					
	Three Hour					
	10. Functional					
	11. Function					
	12. Funtional					

**Suitable for use indoors**

Geeignet für Innenanwendung

**Pour un usage interne**

Adecuada para uso en interiores

**Geschikt voor gebruik binnen**

Lämplig för inomhusbruk

