

Ascent 150 1-10V/DALI Emergency

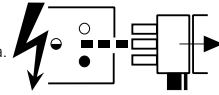


These products must be Earthed

IS1432B

1-10V
 2050738 2050744 2051044 2051760 2052628 2052634
 2052640 2052652 2056038 2056045 2056052 2056059
 2056066 2056073 2056080 2056087 2056094 2056101
 2056108 2056115 2056122 2056129 2056136 2056143
 DALI
 2050739 2050745 2051045 2051761 2052629 2052635
 2052641 2052653 2056039 2056046 2056053 2056060
 2056067 2056074 2056081 2056088 2056095 2056102
 2056109 2056116 2056123 2056130 2056137 2056144

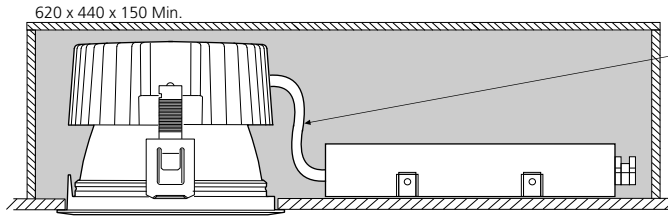
Disconnect from mains supply before replacing the fuse or the lamp.
 Vor dem Einsetzen der Sicherung oder der Lampe Spannungsfreiheit herstellen.
Débrancher le secteur avant de remplacer le fusible ou l'ampoule.
 Desconectar del suministro de la red, antes de realizar la sustitución del fusible o de la lámpara.
Voor het vervangen van lamp of zekering, eerst netspanning uitschakelen.
 Koppla bort spänningen före byte av en säkring eller en lampa.



Switch Off
 Abschalten
Débrancher
 Desconectar
Uitschakelen
 Stäng av



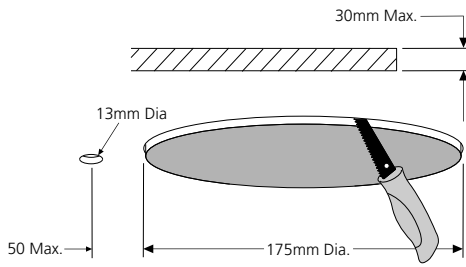
620 x 440 x 150 Min.



If the external cable of this luminaire is damaged, it shall be replaced by a special cable exclusively available from the manufacturer or his agent.

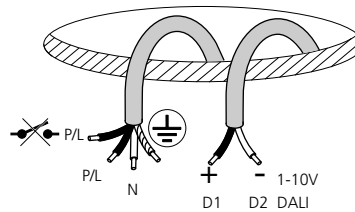
1

i



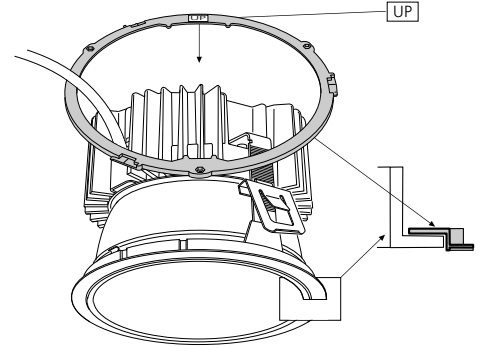
ii

230-240V
 4 x 1.0mm² Min.



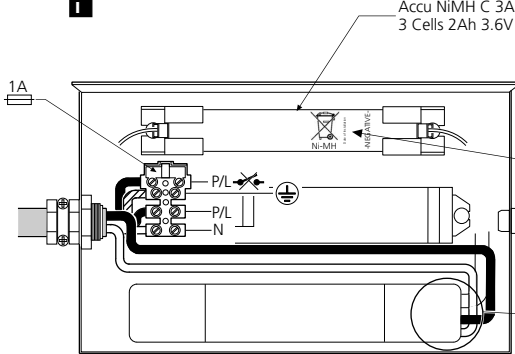
2

IS1150 Accessories

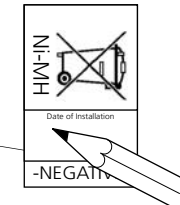


2

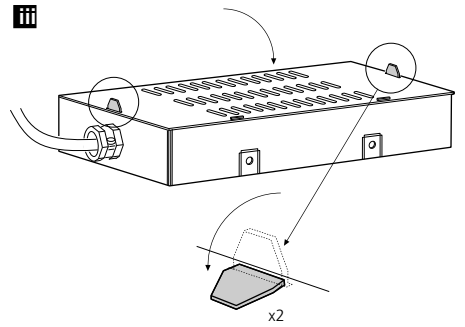
i



ii

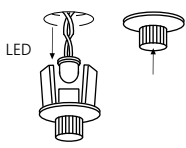


iii

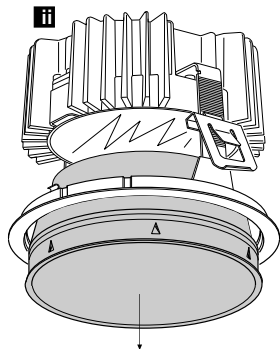


3

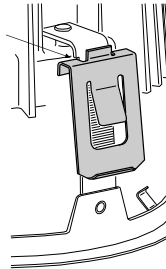
i



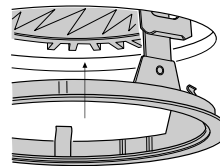
ii



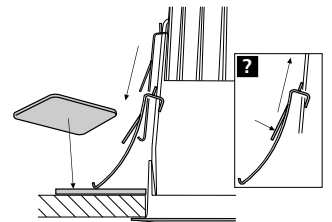
iii



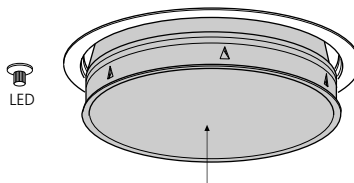
iv



v



4



Routine Testing

Testing should be carried out in accordance with the recommendations of BS5266.

- 1. A monthly functional test.
- 2. Twice yearly, a one hour test.
- 3. Every three years, a full three hour duration test.

The above tests assume a three hour system.

4. Batteries should be replaced when the luminaire no longer meets the 3 hours duration performance.

5. Testing could be performed by interrupting the fixed phase supply for the test duration, during which the luminaire should remain lit.

6. Ensure that the 'LED' is 'OFF' during 'Discharge Mode', and 'ON' during 'Charging Mode'.

7. Replace faulty lamps immediately.

To assist with this testing, a test card is included below.

If the charge indicator (LED) is unlit, this signifies a fault. To increase the chance of a fault being reported between monthly tests, it is desirable that staff are made aware of the purpose of the indicator.

This module should not be modified or repaired by any person other than those nominated by the manufacturer. ANY unauthorised modifications may render the module unsafe and will invalidate our warranty and conformance to any safety standards that may apply. The company will accept no responsibility for any modified modules, or for damage caused as a result of modifications.

All details are given for guidance only and do not constitute a contract. We reserve the right to change the characteristics of products without notice.

Test Record

Type:.....	Location.....					
Month	Test	1st Year	2nd Year	3rd Year	4th Year	5th Year
.....	1. Functional
.....	2. Functional
.....	3. Functional
.....	4. Functional
.....	5. Functional
.....	6. Functional
.....	7. Functional
.....	8. Functional
.....	9. One Hour
.....	Three Hour
.....	10. Functional
.....	11. Function
.....	12. Funtional

Suitable for use indoors

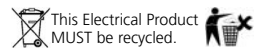
Geeignet für Innenanwendung

Pour un usage interne

Adecuada para uso en interiores

Geschikt voor gebruik binnen

Lämpig för inomhusbruk



Concord

Havells Sylvania Europe LTD
Avis Way, Newhaven East Sussex BN9 0ED UK
www.havells-sylvania.com



© Concord Lighting Limited 09.13