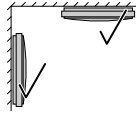


3030171-2 DB
 3032831-2 MW
 3032869-70 DALI
 3032883-4 DALI MW



Isolate from the mains supply before any maintenance.

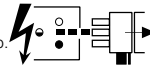
Vor Wartungsarbeiten von der Netzspannung trennen.

Veillez isoler le luminaire du courant avant toute maintenance.

Aislar de la red eléctrica antes de cualquier operación de mantenimiento.

Koppel het toestel af van de netspanning voor elk onderhoud.

Isolera från elnätet innan något underhåll.



Switch Off

Abschalten

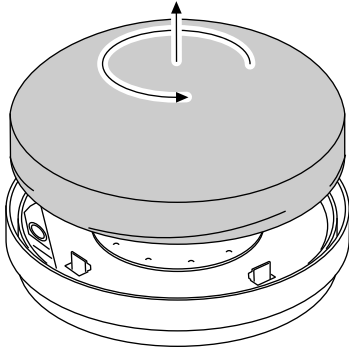
Débrancher

Desconectar

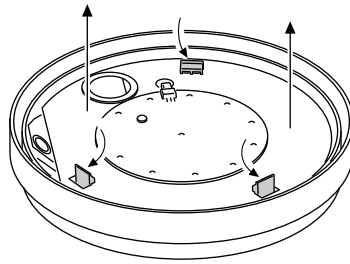
Uitschakelen

Stång av

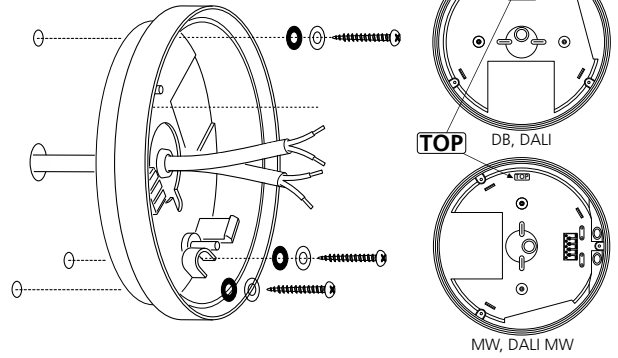
1



2

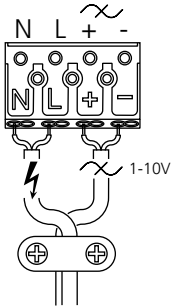


3

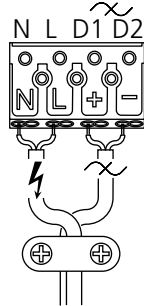


4 ⚡ - 230-240V~ 3 x 0.75mm² Min. 2 x P/L, N. **DIM** - 2 x 0.75mm² Min. +, -. **DALI** - 2 x 0.75mm² Min D1, D2. **MW** - 2 x 0.75mm² Min.

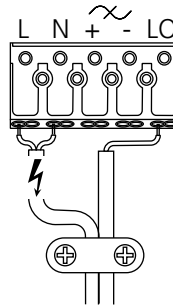
3032849 3032850 DB



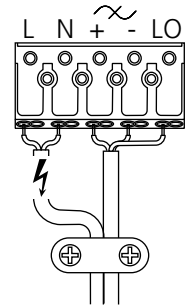
3032871 3032872 DALI



3032833 3032834 MW



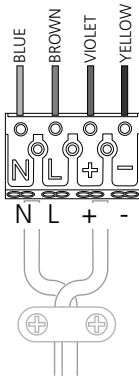
3032885 3032886 DALI MW



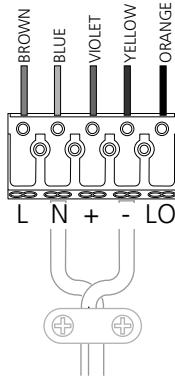
5

ENSURE DRIVER HAS **NOT** BEEN POWERED FOR AT LEAST (ONE) MINUTE **BEFORE** CONNECTING LED STRING.

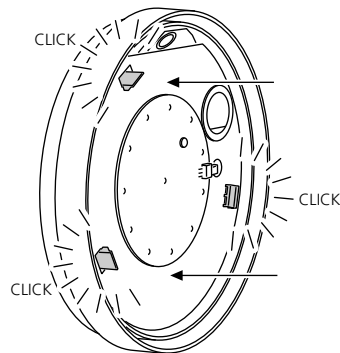
EB & DALI



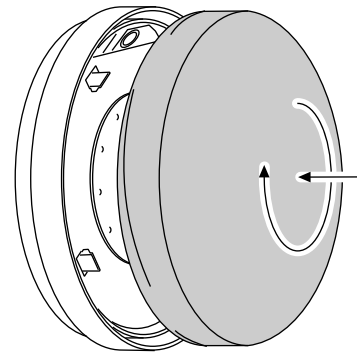
MW & DALI MW



6



7



**

Microwave Set-up.

Positioning.
The detector should be sited so that the occupants of the room fall inside the detection pattern shown in Fig. A. Please note that when ceiling mounting, the recommended ceiling height of the sensor head is 2.4m. Note that the lower the sensor is installed the smaller the detection range will be, subject to the parameters shown on the diagram.
Avoid direct sunlight entering the sensor.
Do not site within 1m of forced air heating or ventilation.
Do not fix to a vibrating surface.
Avoid metallic objects directly in front of the sensor head.
Do not fit to a suspended luminaire.

Settings adjustment:

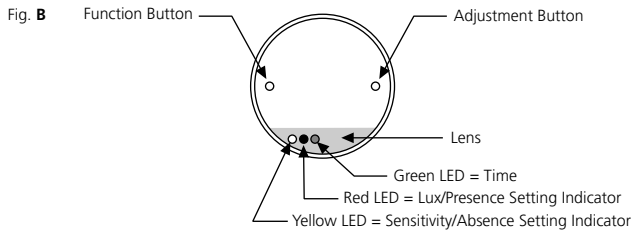
On initial power up, the factory set default settings are:
Time = 20 minutes.
Lux = Maximum (i.e. lights will switch on in full daylight on detection)
Sensitivity = Maximum.

Time.

All versions - set the time period using the push button adjustment, see Fig. B. The factory default is 20 minutes.

Lux.

MWS5 (Non-dimming) - the switch level on lux setting determines the ambient light level at which the lights turn on. This can be set using the push button adjustment. See Fig. B. Setting to maximum (level 7) ensures that lights always come on (this is also the default setting).



Push button adjustment

Time, Lux and Sensitivity

Press and hold either button for at least 5 seconds then release: one of the LEDs positioned behind the lens will flash to show which function has been selected. The LED will flash a number of times (between 1 and 7) to indicate the current setting (minimum = 1 flash, maximum = 7 flashes).
To change between Time (green, Lux (red) and Sensitivity (yellow) press and release the function button until the required LED shows.
When the function has been selected press the adjustment button to increase the setting by 1 step. Pressing the button after reaching 7 flashes will return the setting to 1 flash.
Time settings are as follows: 1 flash = 1 minute; 2 flashes = 5 minutes; 3 flashes = 10 minutes; 4 flashes = 15 minutes; 5 flashes = 20 minutes; 6 flashes = 25 minutes; 7 flashes = 30 minutes.

Lux settings

MWS5 - 1 flash turns on when very dark; 7 flashes turns on regardless of ambient light.

Sensitivity: 1 flash minimum; 7 flashes maximum.

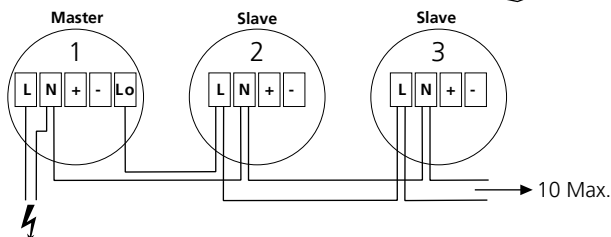
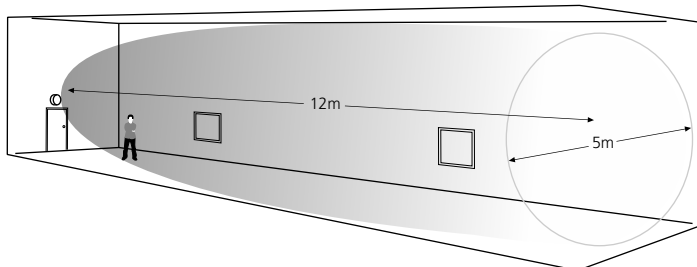
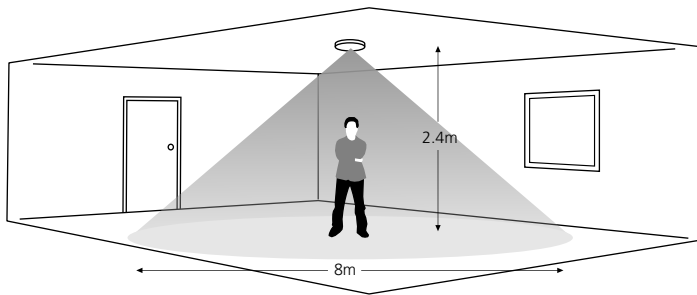
After finishing adjustment the LED will show the new setting 5 times and then return to operation mode.

Default settings

Press and hold both buttons together; after 3 seconds the green LED lights. Release immediately to restore the factory settings. Then isolate the supply, leave powered down for approximately 10 seconds and then re-power up the unit - the factory default settings will then be restored.

Fig. A

Please note that when the sensor head is behind a glass/polycarbonate diffuser it will reduce the detection range by approximately 20%.



Fault Finding

Load does not come on?

Check to see if the live supply to the circuit is good. Strap across the L and LIVE OUT (where used) terminal to turn the load on.

If the supply and wiring are good, check the LUX level setting. Increase the LUX level setting to allow the controller to turn on at higher ambient natural light level.

Lights do not go off?

Ensure that the area is left unoccupied for longer than the selected timer setting.

Make sure that the sensor is not adjacent to circulating air, heaters or lamps.

If the unit 'false triggers' reduce the sensitivity using the sensitivity settings.

Suitable for use indoors

Geeignet für Innenanwendung

Pour un usage interne

Adecuada para uso en interiores

Geschikt voor gebruik binnen

Lämplig för inomhusbruk

Replace any cracked protective shield.

Dieses symbol bedeutet, dass defekte Schutzgläser sofort ersetzt werden müssen.

Ce symbol indique que vous devez remplacer tout verre de protection fêlé.

Este simbolo indica que hay que reemplazar filtros en caso de rotura o desperfectos.

Dette symbolet indikerer at alle ødelagte (sprukne) sikkerhetsglass må skiftes.

Valaisinta el saa käyttää ilman suojalasia vioittunut suojalasi on vaihdettava uuteen ennen valaisimen käyttöön ottoa.

