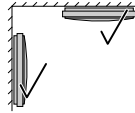


- 3030171, 72 DB
- 3032831, 32 DB MW **
- 3032869, 70 DALI
- 3032883, 84 DALI MW**
- 3032919, 20 EB
- 3032923, 24 MW **
- 3032927, 28 E3
- 3032935, 36 DALI E3
- 3032944, 45 E1
- 3032952, 53 DB E1
- 3032960, 61 DALI E1



Isolate from the mains supply before any maintenance.

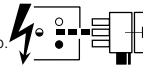
Vor Wartungsarbeiten von der Netzspannung trennen.

Veillez isoler le luminaire du courant avant toute maintenance.

Aislar de la red eléctrica antes de cualquier operación de mantenimiento.

Koppel het toestel af van de netspanning voor elk onderhoud.

Isolera från elnätet innan något underhåll.



Switch Off

Abschalten

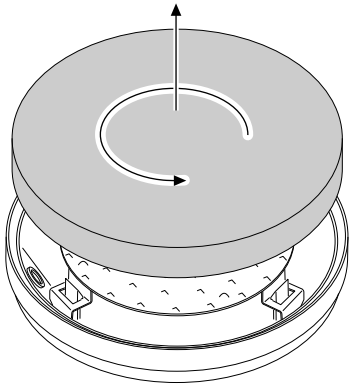
Débrancher

Desconectar

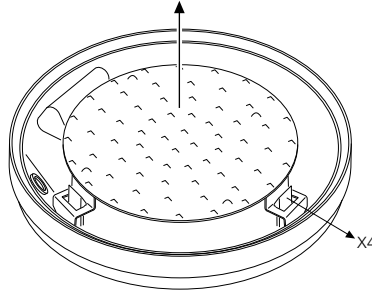
Uitschakelen

Stäng av

1

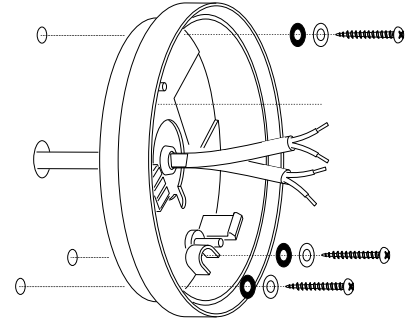


2



3

- ⚡ - 230-240V~ 3 x 0.75mm² Min. 2 x PL, N.
- DIM** - 2 x 0.75mm² Min. +, -.
- DALI** - 2 x 0.75mm² Min D1, D2.
- MW** - 1 x 0.75mm² Min.

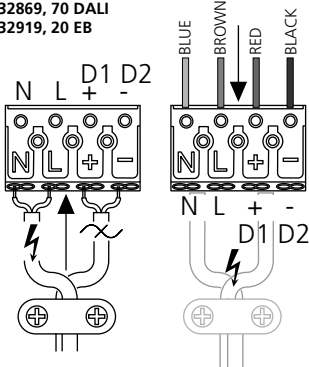


4

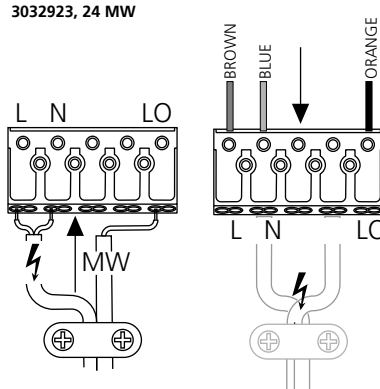


ENSURE DRIVER HAS **NOT** BEEN POWERED FOR AT LEAST 1(ONE) MINUTE **BEFORE** CONNECTING LED STRING.

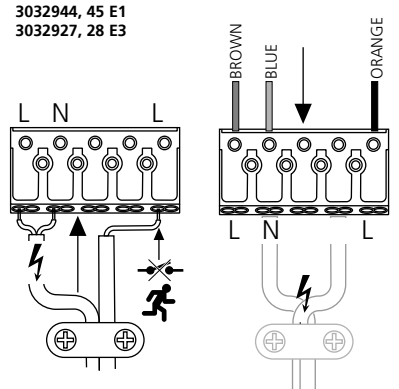
- 3030171, 72 DB
- 3032869, 70 DALI
- 3032919, 20 EB



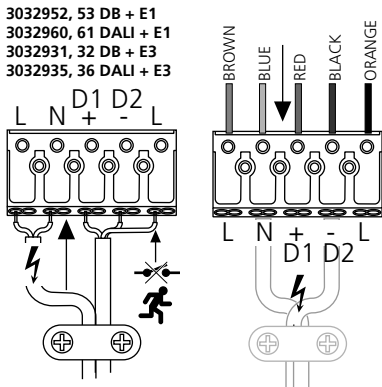
- 3032923, 24 MW



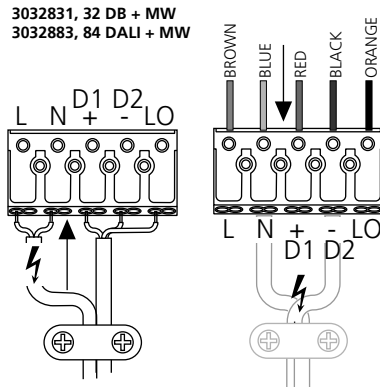
- 3032944, 45 E1
- 3032927, 28 E3



- 3032952, 53 DB + E1
- 3032960, 61 DALI + E1
- 3032931, 32 DB + E3
- 3032935, 36 DALI + E3

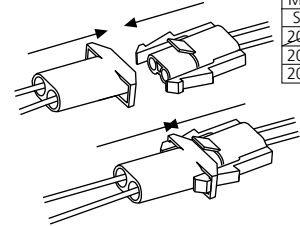


- 3032831, 32 DB + MW
- 3032883, 84 DALI + MW



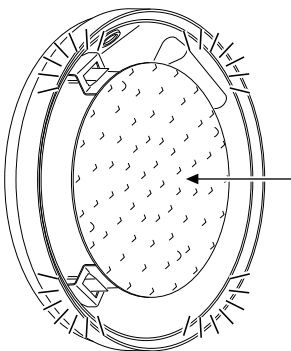
5

- 3032927, 28 E3
- 3032931, 32 DB E3
- 3032935, 36 DALI E3
- 3032944, 45 E1
- 3032952, 53 DB E1
- 3032960, 61 DALI E1

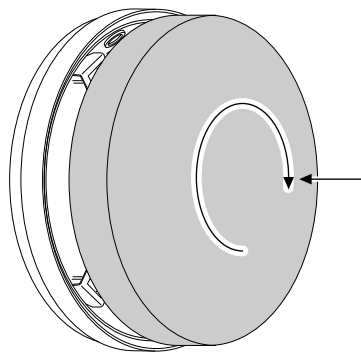


JAN	FEB	MAR	APR
MAY	JUN	JUL	AUG
SEP	OCT	NOV	DEC
2013	2014	2015	2016
2017	2018	2019	2020
2021	2022	2023	2024

6



7



**

Microwave Set-up.

Positioning.
 The detector should be sited so that the occupants of the room fall inside the detection pattern shown in Fig. A. Please note that when ceiling mounting, the recommended ceiling height of the sensor head is 2.4m. Note that the lower the sensor is installed the smaller the detection range will be, subject to the parameters shown on the diagram.
 Avoid direct sunlight entering the sensor.
 Do not site within 1m of forced air heating or ventilation.
 Do not fix to a vibrating surface.
 Avoid metallic objects directly in front of the sensor head.
 Do not fit to a suspended luminaire.

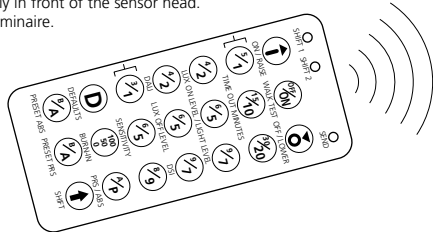
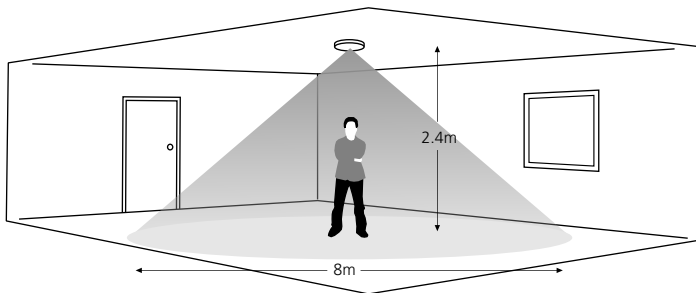


Fig. A

Please note that when the sensor head is behind a glass/polycarbonate diffuser it will reduce the detection range by approximately 20%.



Infra red Handset Adjustment

1. The functionality of the microwave unit is controlled by a number of parameters which can be changed or programmed by an infra red handset.
2. Point the handset at the sensor and send the required programming commands to the unit.
3. For full programming details see the user guide supplied with the handset.

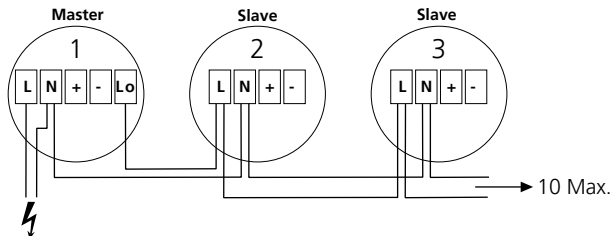
Fault Finding

Load does not come on?

Check to see if the live supply to the circuit is good. Strap across the L and LIVE OUT (where used) terminal to turn the load on.
 If the supply and wiring are good, check the LUX level setting. Increase the LUX level setting to allow the controller to turn on at higher ambient natural light level.

Lights do not go off?

Ensure that the area is left unoccupied for longer than the selected timer setting.
 Make sure that the sensor is not adjacent to circulating air, heaters or lamps.
 If the unit 'false triggers' reduce the sensitivity using the sensitivity settings.



Routine Testing

- Testing should be carried out in accordance with the recommendations of BS5266.
1. A monthly functional test.
 2. Twice yearly, a one hour test.
 3. Every three years, a full three hour duration test.
- The above tests assume a three hour system.
 4. Batteries should be replaced when the luminaire no longer meets the 3 hours duration performance.
 5. Testing could be performed by interrupting the fixed phase supply for the test duration, during which the luminaire should remain lit.
 6. Ensure that the 'LED' is 'OFF' during 'Discharge Mode', and 'ON' during 'Charging Mode'.
 7. Replace faulty lamps immediately.

To assist with this testing, a test card is included below.

If the charge indicator (LED) is unlit, this signifies a fault. To increase the chance of a fault being reported between monthly tests, it is desirable that staff are made aware of the purpose of the indicator.

This module should not be modified or repaired by any person other than those nominated by the manufacturer. ANY unauthorised modifications may render the module unsafe and will invalidate our warranty and conformance to any safety standards that may apply. The company will accept no responsibility for any modified modules, or for damage caused as a result of modifications.

All details are given for guidance only and do not constitute a contract. We reserve the right to change the characteristics of products without notice.

Test Record

Type:.....	Location.....					
Month	Test	1st Year	2nd Year	3rd Year	4th Year	5th Year
.....	1. Functional
.....	2. Functional
.....	3. Functional
.....	4. Functional
.....	5. Functional
.....	6. Functional
.....	7. Functional
.....	8. Functional
.....	9. One Hour
.....	Three Hour
.....	10. Functional
.....	11. Function
.....	12. Functional

Suitable for use indoors

Geeignet für Innenanwendung
 Pour un usage interne
 Adecuada para uso en interiores
 Geschikt voor gebruik binnen
 Lämplig för inomhusbruk

Replace any cracked protective shield.
 Dieses symbol bedeutet, dass defekte schutzgläser sofort ersetzt werden müssen.
Ce symbol indique que vous devez remplacer tout verre de protection fêlé.
 Este simbolo indica que hay que 'reemplazar filtros en caso de rotura o desperfectos'.
Dette symbolet indikerer at alle ødelagte (sprukne) sikkerhetglass måskiftes.
 Valaisinta el saa käyttää ilman suojalasia vioitunut suojalasi on vaihdettava uuteen ennen valaisimen käyttöön ottoa.

