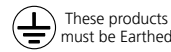


Myriad LED Square



IS1519A

Electronic
 2056272, 2056278, 2056284, 2056290, 2056296, 2056302, 2056308, 2056314, 2056320,
 2056326, 2056332, 2056338, 2056344, 2056350, 2056356, 2056362, 2056368, 2056374,
 2056380, 2056386, 2056392, 2056398, 2056404, 2056410, 2056416, 2056422, 2056428,
 2056434, 2056440, 2056446, 2056452, 2056458, 2056464, 2056470, 2056476, 2056482

2056273, 2056279, 2056285, 2056291, 2056297, 2056303, 2056309, 2056315, 2056321,
 2056327, 2056333, 2056339, 2056345, 2056351, 2056357, 2056363, 2056369, 2056375,
 2056381, 2056387, 2056393, 2056399, 2056405, 2056411, 2056417, 2056423, 2056429,
 2056435, 2056441, 2056447, 2056453, 2056459, 2056465, 2056471, 2056477, 2056483

2056274, 2056280, 2056286, 2056292, 2056298, 2056304, 2056310, 2056316, 2056322,
 2056328, 2056334, 2056340, 2056346, 2056352, 2056358, 2056364, 2056370, 2056376,
 2056382, 2056388, 2056394, 2056400, 2056406, 2056412, 2056418, 2056424, 2056430,
 2056436, 2056442, 2056448, 2056454, 2056460, 2056466, 2056472, 2056478, 2056484

2056275, 2056281, 2056287, 2056293, 2056299, 2056305, 2056311, 2056317, 2056323,
 2056329, 2056335, 2056341, 2056347, 2056353, 2056359, 2056365, 2056371, 2056377,
 2056383, 2056389, 2056395, 2056401, 2056407, 2056413, 2056419, 2056425, 2056431,
 2056437, 2056443, 2056449, 2056455, 2056461, 2056467, 2056473, 2056479, 2056485

DALI
 2056276, 2056282, 2056288, 2056294, 2056300, 2056306, 2056312, 2056318, 2056324,
 2056330, 2056336, 2056342, 2056348, 2056354, 2056360, 2056366, 2056372, 2056378,
 2056384, 2056390, 2056396, 2056402, 2056408, 2056414, 2056420, 2056426, 2056432,
 2056438, 2056444, 2056450, 2056456, 2056462, 2056468, 2056474, 2056480, 2056486

DALI
 2056277, 2056283, 2056289, 2056295, 2056301, 2056307, 2056313, 2056319, 2056325,
 2056331, 2056337, 2056343, 2056349, 2056355, 2056361, 2056367, 2056373, 2056379,
 2056385, 2056391, 2056397, 2056403, 2056409, 2056415, 2056421, 2056427, 2056433,
 2056439, 2056445, 2056451, 2056457, 2056463, 2056469, 2056475, 2056481, 2056487

Isolate from the mains supply before any maintenance.

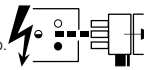
Vor Wartungsarbeiten von der Netzspannung trennen.

Veillez isoler le luminaire du courant avant toute maintenance.

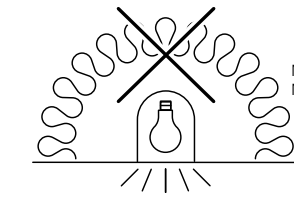
Aislar de la red eléctrica antes de cualquier operación de mantenimiento.

Koppel het toestel af van de netspanning voor elk onderhoud.

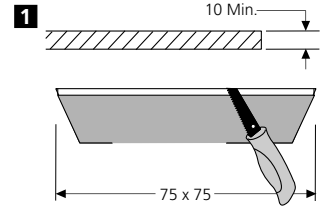
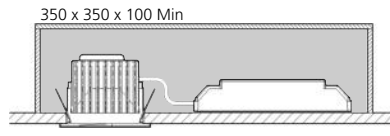
Isolera från elnätet innan något underhåll.



Switch Off
 Abschalten
Débrancher
 Desconectar
Uitschakelen
 Stäng av

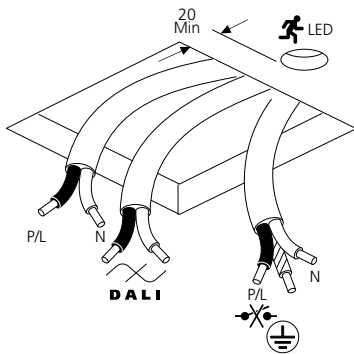


Not suitable for covering with thermally insulating material
 Ne doit pas être recouvert un matériau isolant thermique

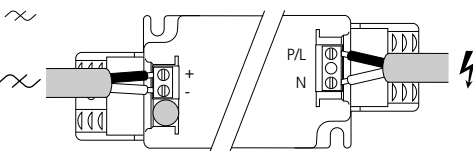
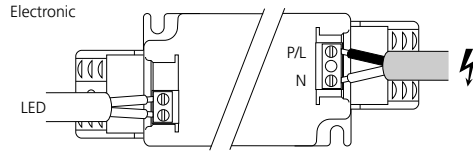


2 230-240V 3 x .75mm² Min.
 1 x +, 1 x -

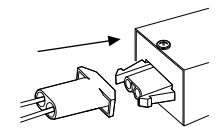
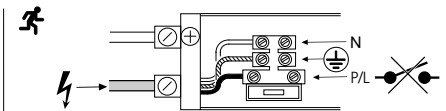
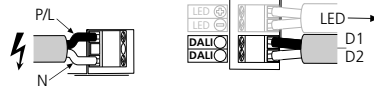
DALI 1 x D1, 1 x D2



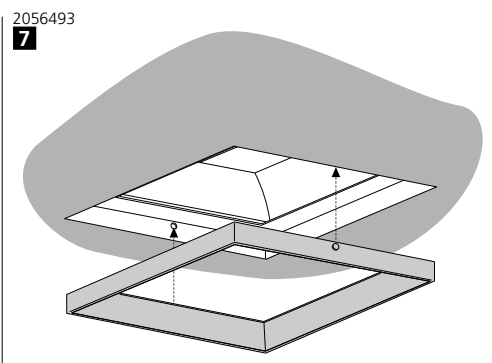
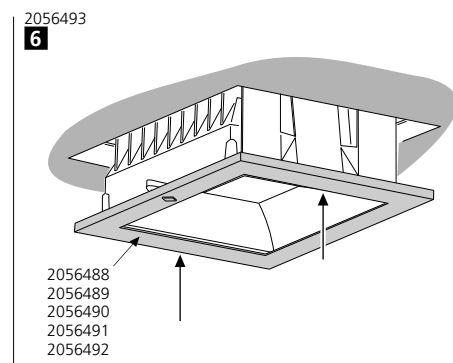
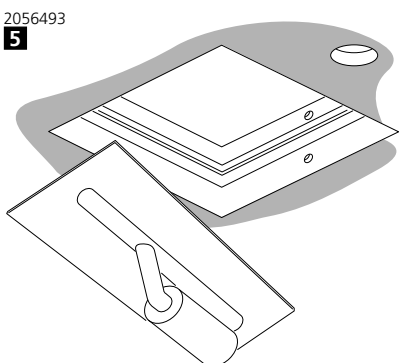
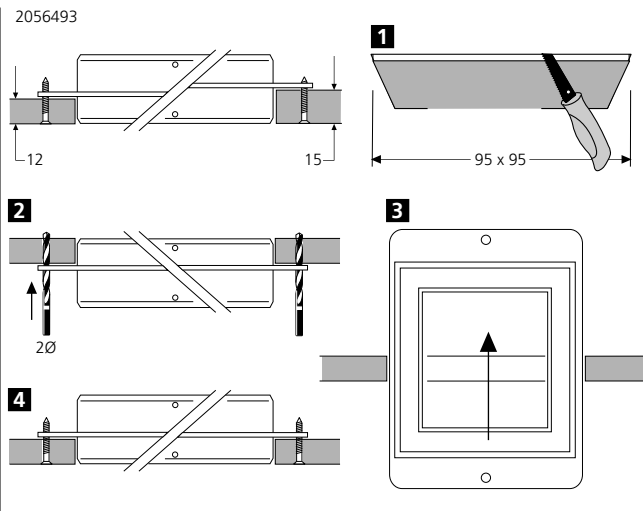
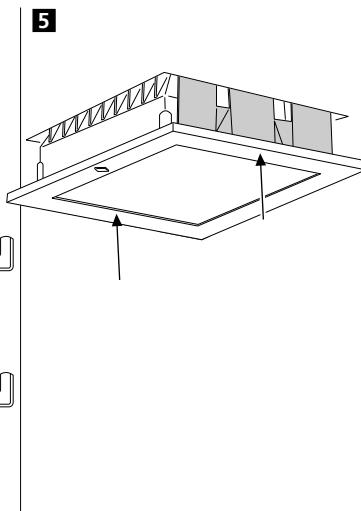
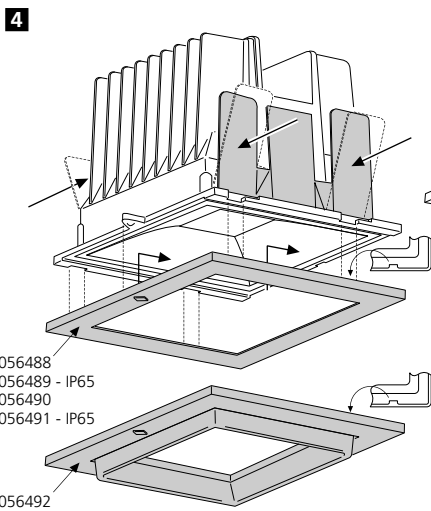
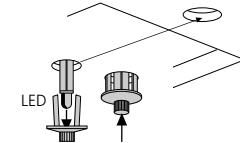
3 Electronic



DALI



JAN	FEB	MAR	APR
MAY	JUN	JUL	AUG
SEP	OCT	NOV	DEC
2013	2014	2015	2016
2017	2018	2019	2020
2021	2022	2023	2024



Routine Testing

Testing should be carried out in accordance with the recommendations of BS5266.

1. A monthly functional test.
 2. Twice yearly, a one hour test.
 3. Every three years, a full three hour duration test.
- The above tests assume a three hour system.
4. Batteries should be replaced when the luminaire no longer meets the 3 hours duration performance.
 5. Testing could be performed by interrupting the fixed phase supply for the test duration, during which the luminaire should remain lit.
 6. Ensure that the 'LED' is 'OFF' during 'Discharge Mode', and 'ON' during 'Charging Mode'.
 7. Replace faulty lamps immediately.

To assist with this testing, a test card is included below.

If the charge indicator (LED) is unlit, this signifies a fault. To increase the chance of a fault being reported between monthly tests, it is desirable that staff are made aware of the purpose of the indicator.

This module should not be modified or repaired by any person other than those nominated by the manufacturer. ANY unauthorised modifications may render the module unsafe and will invalidate our warranty and conformance to any safety standards that may apply. The company will accept no responsibility for any modified modules, or for damage caused as a result of modifications.

All details are given for guidance only and do not constitute a contract. We reserve the right to change the characteristics of products without notice.

Test Record

Type:.....	Location.....					
Month	Test	1st Year	2nd Year	3rd Year	4th Year	5th Year
	1. Functional					
	2. Functional					
	3. Functional					
	4. Functional					
	5. Functional					
	6. Functional					
	7. Functional					
	8. Functional					
	9. One Hour Three Hour					
	10. Functional					
	11. Function					
	12. Funtional					

Suitable for use indoors

Geeignet für Innenanwendung

Pour un usage interne



Adecuada para uso en interiores

Geschikt voor gebruik binnen

Lämplig för inomhusbruk



Replace any cracked protective shield.

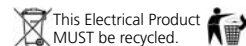
Dieses symbol bedeutet, dass defekte schutzgläser sofort ersetzt werden müssen.

Ce symbole indique que vous devez remplacer tout verre de protection fêlé.

Este simbolo indica que hay que reemplazar filtros en caso de rotura o desperfectos.

Dette symbolet indikerer at alle deflagte (sprukne) sikkerhetglass må skiftes.

Valaisinta el saa käyttää ilman suojalasia vioitunut suojalasi on vaihdettava uuteen ennen valaisimen käyttöön ottoa.



Concord

Havells Sylvania Europe LTD
Avis Way, Newhaven East Sussex BN9 0ED UK
www.havells-sylvania.com



EM539002 FM01687
© Concord Lighting Limited 08.13