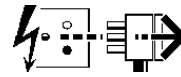


4142859 4148629 4156904 4043273 4044151
 4044152 4044158 4044159 4044160 4060643
 4060645 4060647 4060660 4060662 4060664
 4060642 4060644 4060646 4060659 4060661
 4060663 4060665 4060667 4060669 4060678
 4060668 4060670 4160953 4060650 4060652
 4060654 4060665 4060667 4060669 4060678
 4060680 4060682 4160779 4060677 4060679
 4060681 4037162 4037168 4037216 4037387
 4037389 4037395 4037397 4044161 4044162
 4037452 4037551 4037552 4037560 4037561
 4037562 4038109 4038110 4038111 4038112
 4038113 4038114 4038115 4038140 4038142
 4038143 4038144 4038201 4038202 4043274
 4044154 4044157 4044161 4044162 4044163
 4044166 4044167 4048624 4059932 4062820
 4062821 4062824 4062836 4062837 4062840
 4062841 4062843 4062844 4142205 4142858
 4142861 4143593 4143594 4143596 4143597
 4144164 4148621 4148622 4148623 4148627
 4148628 4148630 4148631 4148640 4148641
 4148643 4148644 4148645 4148676 4148679
 4156902 4156903 4158305 4158306 4158307
 4158309 4158311 4160154 4160155 4160156
 4160157 4161295 4162493 4163039 4163064
 4163077 4163177 4163559 4163571 4163710
 4163780 4164077 4164078 4164304 4164462
 4164617 4164702 4164717 4164776 4164928
 4164930 4164937 4165039 4165196 4165197
 4165334 4165376 4165475 4165476 4165539
 4165870 4166275

Disconnect from mains supply before replacing the fuse or the lamp.
 Vor dem Einsetzen der Sicherung oder der Lampe Spannungsfreiheit herstellen.
Débrancher le secteur avant de remplacer le fusible ou l'ampoule.
 Desconectar del suministro de la red, antes de realizar la sustitución del fusible o de la lámpara.
Voor het vervangen van lamp of zekering, eerst netspanning uitschakelen.
 Koppla bort spänningen före byte av en säkring eller en lampa.



Switch Off
 Abschalten
Débrancher
 Desconectar
Uitschakelen
 Stäng av

This luminaire is suitable for interior wall or ceiling mounting and can be semi-recessed using Recessing kit.

Installation should be carried out by a suitably qualified person in accordance with good electrical practice and with the appropriate nation wiring regulations.

Switch off mains electrical supply before commencing installation.

NOTE: This luminaire should be cleaned using warm soapy water and a soft cloth. Ensure luminaire is switched off during cleaning.

Dispose of lamps in accordance with manufacturer's instructions.

Installation Procedures

Carefully remove diffuser as shown.

Check rating omarked on label (E) conforms with mains electrical supply.

Partially screw suitable round headed screws in mounting surface at 210mm centres for 28W series or 310mm centres for 38W series.
 NOTE: Gallery is marked 'TOP' if wall mounting.

Fit supplied grommets in gallery.

Pass mains supply leads through grommet.

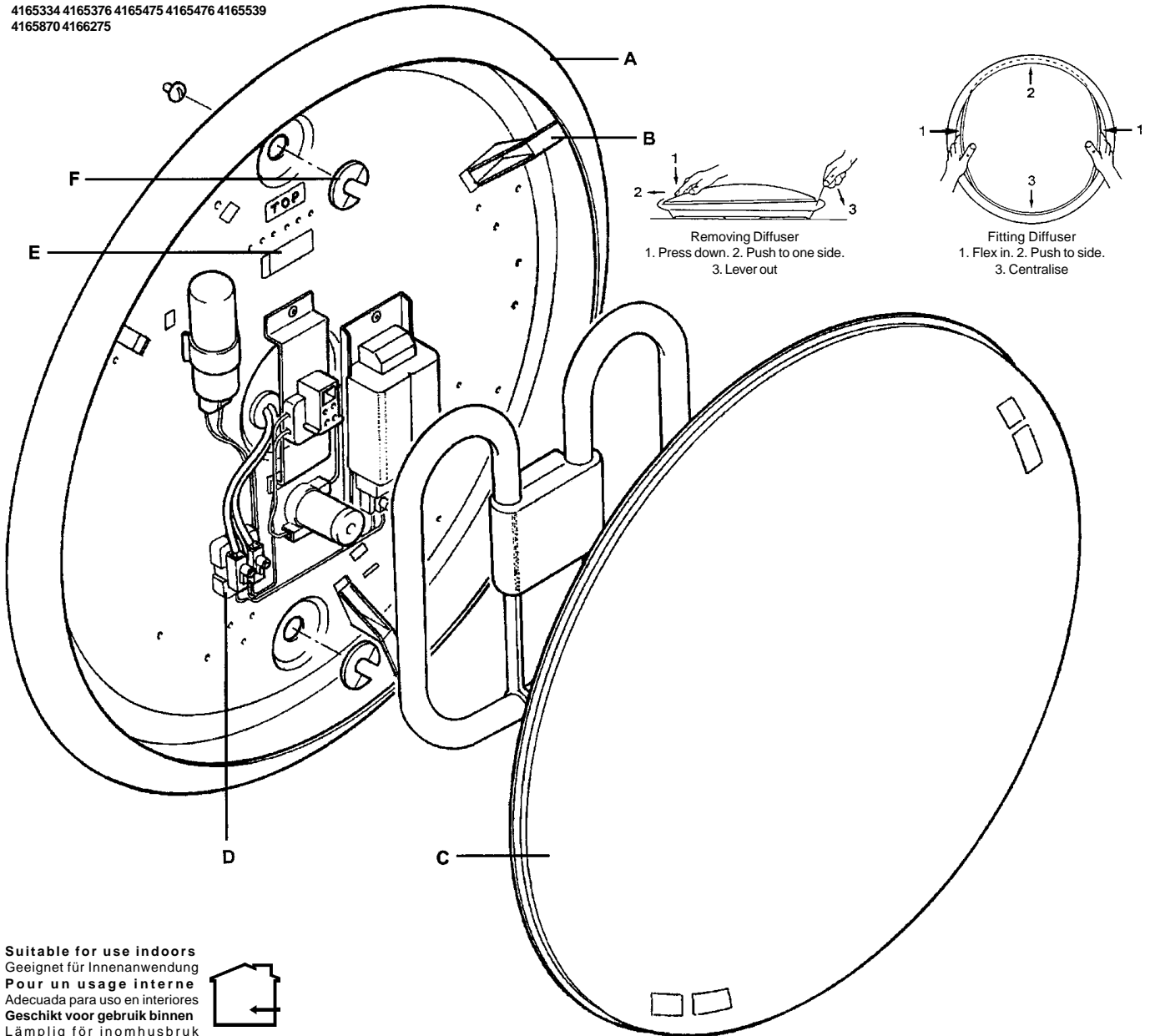
Locate gallery mounting holes over fixing screw heads, insert slip washers (F) under screw heads and tighten screws.

Cover line and neutral mains supply leads with supplied silicone sleeving and connect leads in respectively marked terminals in terminal block (D).

Fit appropriate lamp as indicated on label (E) by pushing it firmly into lampholder.

Fit diffuser (C) in gallery rim as shown, ensuring it is held concentrically by retaining clips (B).

NOTE:
 28W series can be semi-recessed using Recessing Kit 4037857.
 38W series can be semi-recessed using Recessing Kit 4037858.



Removing Diffuser
 1. Press down. 2. Push to one side. 3. Lever out

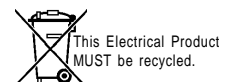
Fitting Diffuser
 1. Flex in. 2. Push to side. 3. Centralise

Suitable for use indoors
 Geeignet für Innenanwendung
Pour un usage interne
 Adecuada para uso en interiores
Geschikt voor gebruik binnen
 Lämplig för inomhusbruk



Replace any cracked protective shield.
 Dieses symbol bedeutet, dass defekte Schutzgläser sofort ersetzt werden müssen.
Ce symbole indique que vous devez remplacer tout verre de protection fêlé.
 Este símbolo indica que hay que reemplazar los filtros en caso de rotura o desperfectos.
Dette symbolet indikerer at alle ødelagte (sprukne) sikkerhetglass må skiftes.
 Valaisinta ei saa käyttää ilman suojalasia vioitunut suojalasi on vaihdettava uuteen ennen valaisimen käyttöön ottoa.

< Millimetres >



03.08