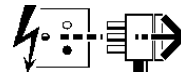
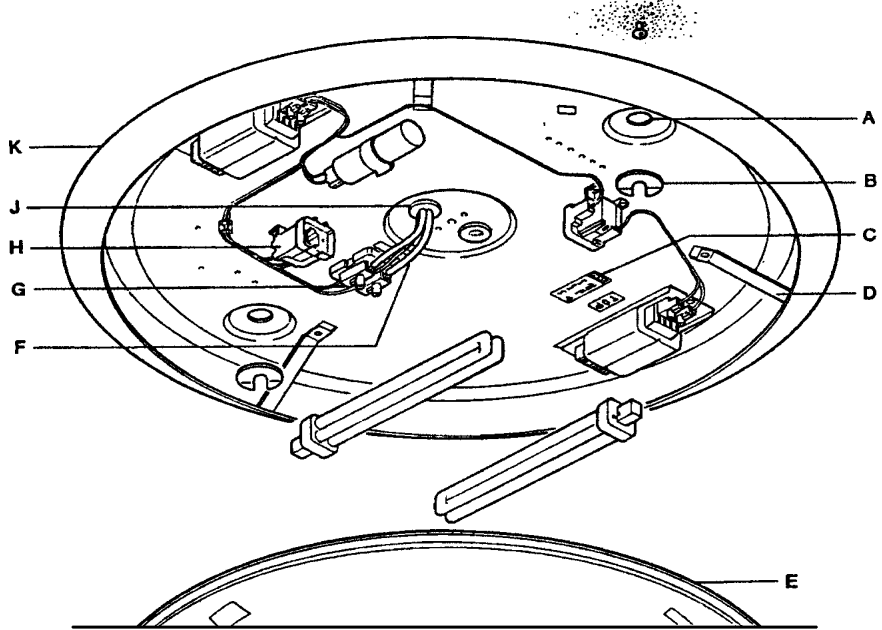


- 4142857 4148604 4148632 4148658 4158318
- 4164322 4060629 4060632 4060635 4060656
- 4060657 4060658 4060628 4060630 4060633
- 4060637 4060639 4060641 4060636 4060638
- 4060640 4060672 4060674 4060676 4060671
- 4060673 4060675 4163045 4037179 4037404
- 4037413 4037415 4037431 4037433 4037553
- 4037554 4038105 4038107 4038108 4038146
- 4038203 4043270 4043271 4043272 4043276
- 4044148 4044149 4044150 4044186 4048680
- 4056734 4059922 4059923 4062827 4062828
- 4062831 4062847 4140961 4141741 4141742
- 4142200 4142201 4142202 4142203 4142204
- 4143588 4143589 4143600 4143604 4143605
- 4143607 4143608 4144028 4148586 4148591
- 4148593 4148594 4148597 4148599 4148600
- 4148601 4148602 4148603 4148605 4148606
- 4148607 4148611 4148612 4148613 4148616
- 4148619 4148633 4148636 4148638 4148646
- 4148650 4148653 4148654 4148655 4148656
- 4148657 4148659 4148660 4148661 4148663
- 4148664 4148665 4148666 4148667 4148668
- 4148669 4148671 4148682 4148684 4156895
- 4156897 4156898 4156905 4157538 4158300
- 4158302 4158304 4158313 4158314 4158315
- 4158316 4158317 4158319 4160153 4160339
- 4160698 4160699 4160886 4160930 4160939
- 4161069 4161357 4161951 4163011 4163082
- 4163564 4163597 4163568 4163727 4164110
- 4164144 4164275 4164278 4164296 4164383
- 4164395 4164415 4164416 4164417 4164469
- 4164627 4164665 4164666 4164693 4164728
- 4164734 4164844 4164845 4164862 4164873
- 4164907 4164921 4165018 4165042 4165112
- 4165192 4165194 4165311 4165359 4165381
- 4165428 4165429 4165430 4165431 4165486
- 4165487 4165844 4165933 4166081 4166169
- 4166171 4166382 4166562 4166588 4166781

Disconnect from mains supply before replacing the fuse or the lamp.
 Vor dem Einsetzen der Sicherung oder der Lampe Spannungsfreiheit herstellen.
Débrancher le secteur avant de remplacer le fusible ou l'ampoule.
 Desconectar del suministro de la red, antes de realizar la sustitución del fusible o de la lámpara.
Voor het vervangen van lamp of zekering, eerst netspanning uitschakelen.
 Koppla bort spänningen före byte av en säkring eller en lampa.



Switch Off
 Abschalten
Débrancher
 Desconectar
Uitschakelen
 Stäng av



This luminaire is suitable for interior wall or ceiling mounting and can be semi-recessed using Recessing kit.

Installation should be carried out by a suitably qualified person in accordance with good electrical practice and with the appropriate nation wiring regulations.

Switch off mains electrical supply before commencing installation.

Installation Procedures

Carefully remove diffuser (E) as shown in diagram.

Check rating marked on label (C) conforms with mains electrical supply.

Partially screw suitable round headed screws in mounting surface at 310mm centres for 2045 series or 210mm centres for 2055 series.
 NOTE: Gallery is marked 'TOP' if wall mounting.

Fit supplied grommets (J) in gallery.

Feed mains supply cable/leads through grommet.

Locate gallery mounting holes (A) over fixing screw heads, insert slip washers (B) under screw heads and tighten screws.

Cover mains supply leads with supplied silicone sleeving (F) and connect leads in respectively marked terminals in terminal block (G).

Fit appropriate lamp as indicated on label (C) by pushing it firmly in lampholder (H).

Fit diffuser (E) as shown in diagram.

NOTE: This luminaire should be cleaned using warm soapy water and a soft cloth. Ensure luminaire is switched off during cleaning.

Dispose of lamps in accordance with manufacturer's instructions.

Suitable for use indoors
 Geeignet für Innenanwendung
Pour un usage interne
 Adecuada para uso en interiores
Geschikt voor gebruik binnen
 Lämplig för inomhusbruk



Replace any cracked protective shield.

Dieses symbol bedeutet, dass defekte Schutzgläser sofort ersetzt werden müssen.
Ce symbol indique que vous devez remplacer tout verre de protection fêlé.

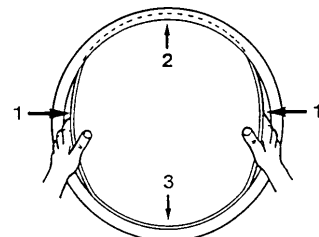
Este símbolo indica que hay que reemplazar filtros en caso de rotura o desperfectos.

Dette symbolet indikerer at alle ødelagte (sprukne) sikkerhetglass må skiftes.

Valaisinta ei saa käyttää ilman suojalasiasa vioitunut suojalasi on vaihdettava uuteen ennen valaisimen käyttöön ottoa.



Removing Diffuser
 1. Press down. 2. Push to one side. 3. Lever out



Fitting Diffuser
 1. Flex in. 2. Insert under rim. 3. Centralise

< Millimetres >

This Electrical Product **MUST** be recycled.

