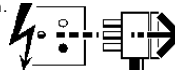
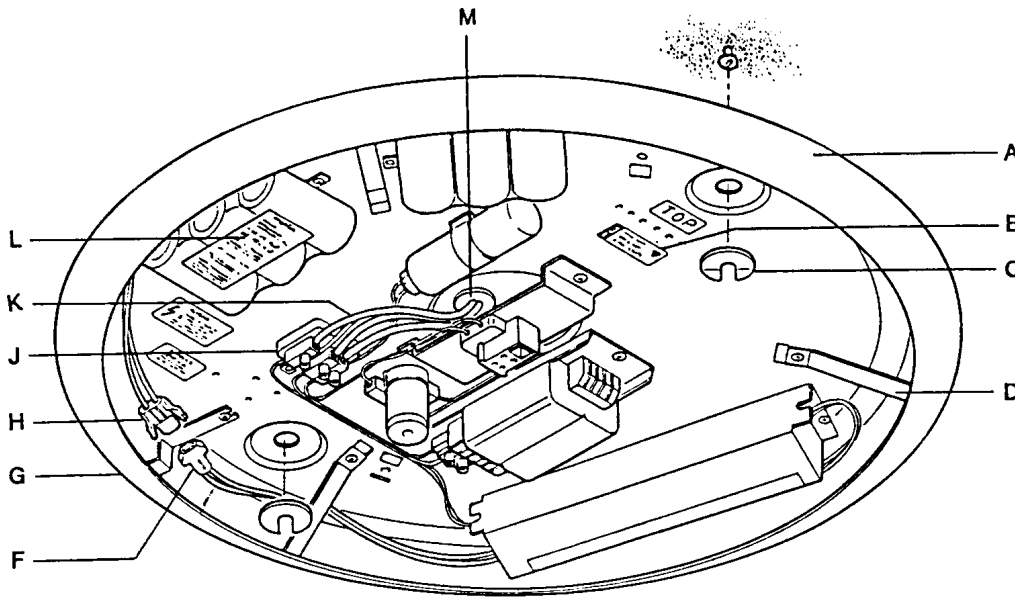


Disconnect from mains supply before replacing the fuse or the lamp.
Vor dem Einsetzen der Sicherung oder der Lampe Spannungsfreiheit herstellen.
Débrancher le secteur avant de remplacer le fusible ou l'ampoule.
Desconectar del suministro de la red, antes de realizar la sustitución del fusible o de la lámpara.
Voor het vervangen van lamp of zekering, eerst netspanning uitschakelen.
Koppla bort spänningen före byte av en säkring eller en lampa.



Switch Off
Abschalten
Débrancher
Desconectar
Uitschakelen
Stäng av



This luminaire is designed for maintained emergency operation with a duration of 3 hours, is suitable for interior wall or ceiling mounting.

Installation should be carried out by a suitably qualified person in accordance with good electrical practice and the appropriate national wiring regulations.

Switch off mains electrical supply before commencing installation.

Installation Procedure

Carefully remove diffuser (E) from gallery (A).

Check rating on label (B) conforms with mains electrical supply.

Prepare suitable fixings in mounting surface at 310mm centres.

Enter supply connection date on battery pack label (L).

Fit supplied grommets (M) in gallery (A), and pass mains supply leads and UNswitched live mains supply lead through grommets.

Locate gallery mounting holes over fixing screw heads, insert slip washers (C) under screw heads and tighten screws.

NOTE: Gallery is marked 'TOP' for wall mounting.

Cover mains supply leads (K) with supplied sleeving and connect leads to respectively marked terminals in terminal block (J).

Cover UNswitched live mains supply lead with supplied sleeving and connect lead in respectively marked terminals in terminal block (J).

Fit supplied lamp in lampholder.

Connect battery socket (H) to module plug (F).

Fit diffuser (E) in gallery, ensuring it is held concentrically by retaining clips (D).

Testing (PTO)

Switch on mains supply and check that the charge indicator lamp (G) is on.

Leave luminaire on continuous charge for 24 hours.

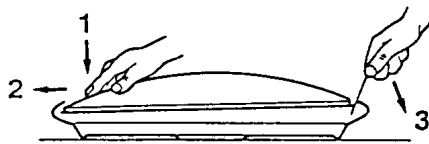
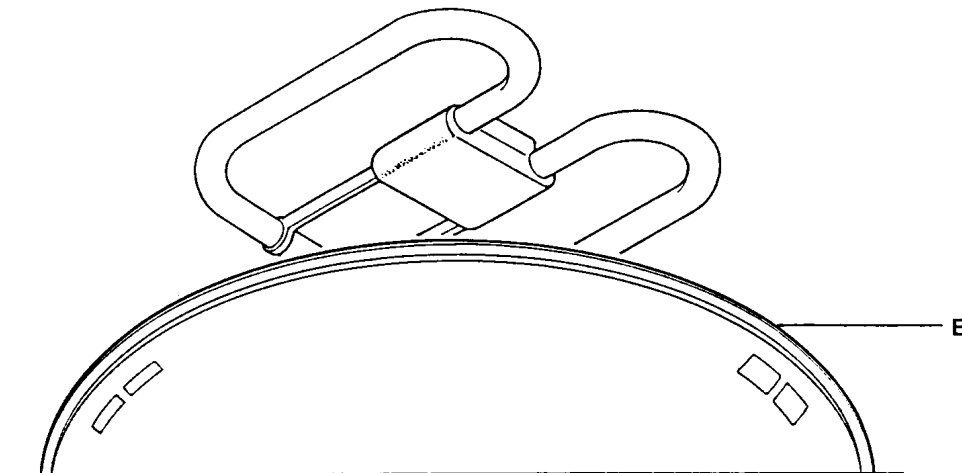
Simulate mains failure, and check that lamp operates for 3 hours. If full duration of 3 hours is not achieved, repeat charge/discharge cycle as battery packs may have discharged in stock and will require conditioning.

WARNING: This luminaire must be earthed.

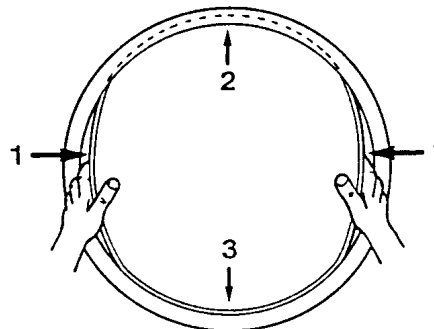
WARNING: Do not insulation test.

NOTE: This luminaire should be cleaned by using warm soapy water and a soft cloth - ensure luminaire is switched off during cleaning.

Dispose of lamps in accordance with manufacturer's instructions.



Removing Diffuser
1. Press down 2. Push to one side 3. Lever out



Fitting Diffuser
1. Flex in 2. insert under rim 3. Centralise

Routine Maintenance

Routine maintenance must be carried out in compliance with the requirements of BS5266:Part 1 - Emergency Lighting of Premises.

The following tests assume a three-hour system.

- Daily:**
1. Check that any recorded faults have been rectified.
 2. Check that the maintained emergency lamp is operative.
 3. Check that the charge indicator light is illuminated.
- Monthly:**
(Functional)
1. Simulate a mains failure and check that the emergency lamp illuminates and remains on for several minutes.
 2. After reverting back to mains supply check the charge indicator light is illuminated.
- Six Monthly:**
(1 Hour)
1. Simulate a mains failure and check that the emergency lamp illuminates and remains on for one hour.
 2. After reverting back to mains supply check the charge indicator light is illuminated.
 3. On restoring the mains supply the unit will require approximately 24 hours to recharge before becoming fully operational.
- Three Years:**
(3 Hours)
1. Simulate a mains failure and check that the emergency lamp illuminates and remains on for at least 3 hours.
 2. After reverting back to mains supply check the charge indicator light is illuminated.
 3. On restoring the mains supply the unit will require approximately 24 hours to recharge before becoming fully operational.

It is recommended that the battery packs and lamps are replaced every 4 years or sooner if the units performance fails to meet the above requirements. To maintain optimum unit performance, only approved replacement battery packs and lamps must be used.

All routine maintenance checks must be recorded on the unit Routine Test Record and must be made available for inspection at all times.

Installation and Commissioning Record

.....

Luminaire Model Ref: Location:

.....

Installed By: Date:

.....

Commissioned by: Date:

(Full Charge and Discharge Cycle)

.....

Routine Test Record

Monthly Test	First Year		Second Year		Third Year		Forth Year		Fifth Year	
	Signed	Dated	Signed	Dated	Signed	Dated	Signed	Dated	Signed	Dated
Functional										
Functional										
Functional										
Functional										
Functional										
1 Hour Duration										
Functional										
Functional										
Functional										
Functional										
Functional										
1 Hour Duration										
3 Hour Duration										

Suitable for use indoors
 Geeignet für Innenanwendung
Pour un usage interne
 Adecuada para uso en interiores
Geschikt voor gebruik binnen
 Lämpig för inomhusbruk



Replace any cracked protective shield.
 Dieses symbol bedeutet, dass defekte schutzgläser sofort ersetzt werden müssen.
Ce symbol indique que vous devez remplacer tout verre de protection fêlé.
 Este simbolo indica que hay que reemplazar filtros en caso de rotura o desperfectos.
Dette symbolet indikerer at alle ødelagte (sprukne) sikkerhetsglass må skiftes.
 Valaisinta el saa käyttää ilman suojalasia vioittunut suojalasi on vaihdettava uuteen ennen valaisimen käyttöön ottoa.

< Millimetres >

This Electrical Product MUST be recycled.

02.08

