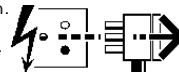


4046029 4046031 4046033 4165154 4165547

Disconnect from mains supply before replacing the fuse or the lamp.
Vor dem Einsetzen der Sicherung oder der Lampe Spannungsfreiheit herstellen.
Débrancher le secteur avant de remplacer le fusible ou l'ampoule.
Desconectar del suministro de la red, antes de realizar la sustitución del fusible o de la lámpara.
Voor het vervangen van lamp of zekering, eerst netspanning uitschakelen.
Koppla bort spänningen före byte av en säkring eller en lampa.



Switch Off
Abschalten
Débrancher
Desconectar
Uitschakelen
Stäng av

Checklist

4 x Grommets
 4 x Seal Washers
 1 x Conduit Box Gasket
 1 x Silicone Sleeving
 1 x Perimeter Light Seal

NOTE: To achieve stated IP rating, grommets should be pierced to accept and form a tight seal on round sheathed cable. Any other form of cable must be sealed in grommet using a water proof adhesive sealant.

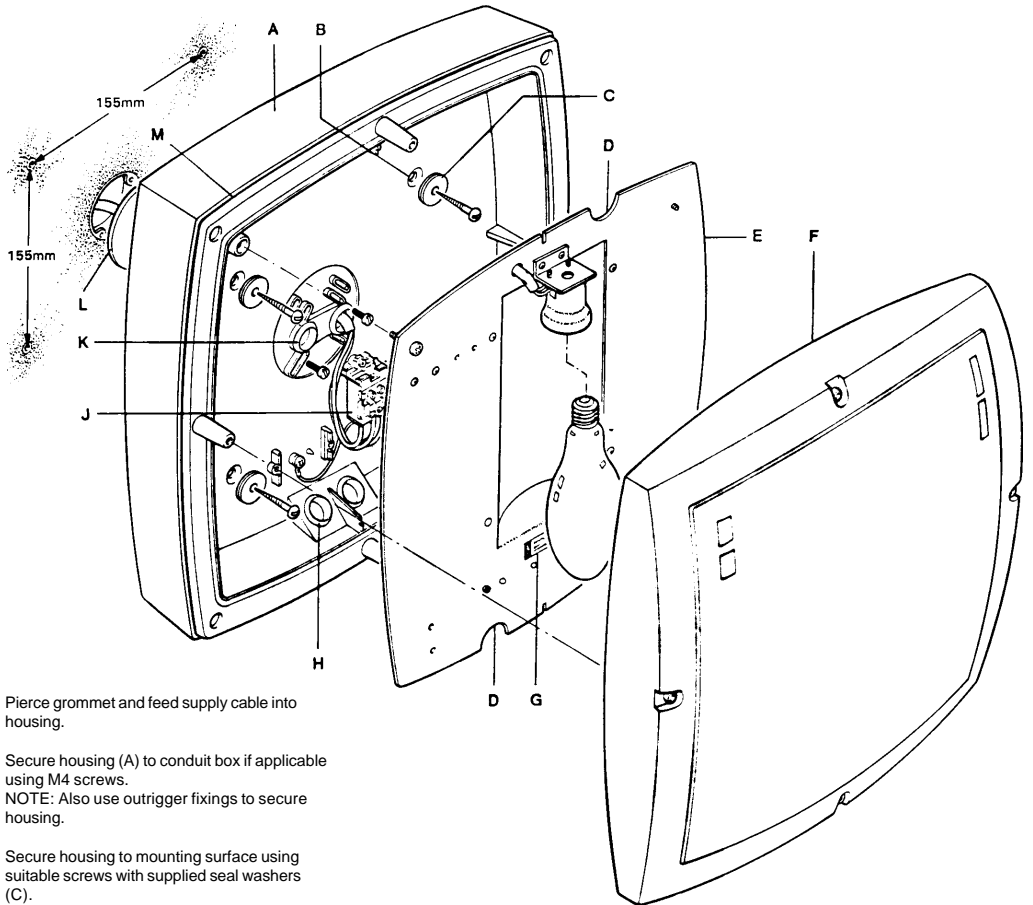
WARNING: Luminaire must be earthed.

NOTE: Luminaire should be cleaned by warm soapy water and a soft cloth. Ensure that luminaire is switched off during cleaning.

Dispose of lamps in accordance with lamp manufacturer's instructions.

This luminaire is suitable for interior and exterior wall or ceiling mounting.

Installation should be carried out by a suitably qualified person in accordance with the good electrical practice and the appropriate national wiring regulations.



Installation Instructions

Remove trim/diffuser assembly (F) from housing (A).

NOTE: Partially undo each screw in turn, repeat until all screws are free.

Check rating marked on label (G) conforms with mains electrical supply.

Unscrew gear plate (E) fixing screws, insert fingers in cut-outs (D) and pull out gear plate from housing (A).

Fit supplied grommets (H&K) in housing (A).

Recessed Conduit Box Mounting.
 Stick self adhesive gasket (L) on rear face of housing (A) and drill M4 clearance holes for conduit box screws.

Outrigger Fixing.
 Drill 5mm clearance holes (B) in housing for outrigger screws.

Prepare suitable fixings in mounting surface for outrigger screws.
NOTE: Housing is marked 'TOP' if wall mounting.

Pierce grommet and feed supply cable into housing.

Secure housing (A) to conduit box if applicable using M4 screws.
NOTE: Also use outrigger fixings to secure housing.

Secure housing to mounting surface using suitable screws with supplied seal washers (C).
NOTE: Sealing face of washer to face housing.

Cover line and neutral supply leads with supplied silicone sleeving and connect leads in respectively marked terminals in terminal block (J).

Fit gear plate (E) on housing (A).

Fit appropriate lamp as indicated on label (G).

Fit perimeter light seal (M) on housing and secure trim/diffuser (F) to housing (A).

Suitable for use indoors

Geeignet für Innenanwendung
Pour un usage interne
 Adecuada para uso en interiores
Geschikt voor gebruik binnen
 Lämplig för inomhusbruk



Replace any cracked protective shield.

Dieses symbol bedeutet, dass defekte Schutzgläser sofort ersetzt werden müssen.

Ce symbol indique que vous devez remplacer tout verre de protection fêlé.

Este símbolo indica que hay que 'reemplazar filtros en caso de rotura o desperfectos'.

Dette symbolet indikerer at alle ødelagte (sprukne) sikkerhetglass må skiftes.

Valaisinta ei saa käyttää ilman suojalasiasa vioitunut suojalasi on vaihdettava uuteen ennen valaisimen käyttöön ottoa.

< Millimetres >



This Electrical Product
MUST be recycled.



03.08

Concord

Avis Way Newhaven East Sussex BN9 0ED
 T 0870 606 2030 F 01273 512 688 email: information@concordmarlin.com

