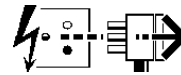


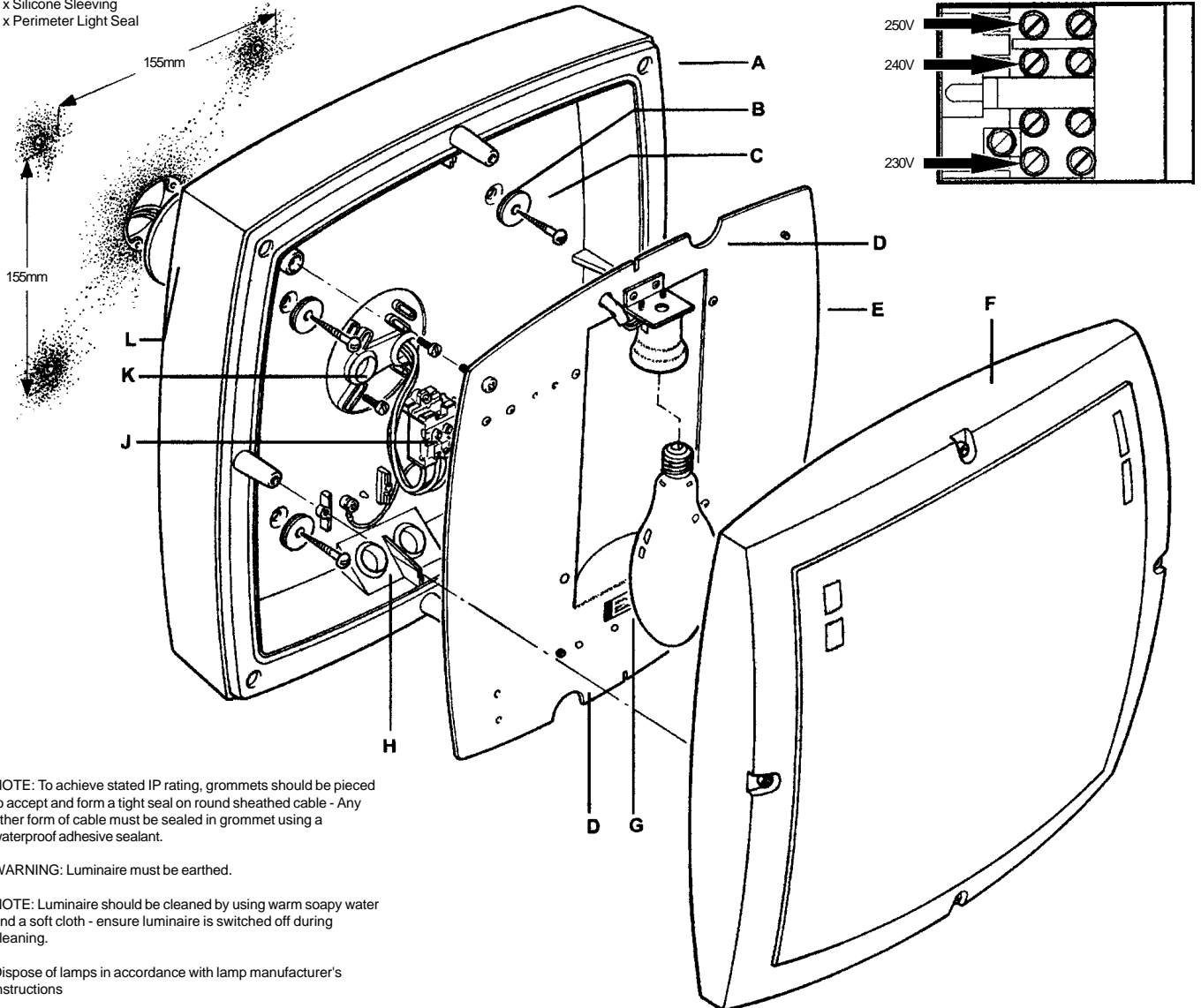
4062101
4062103
4062105

- Checklist:
4 x Grommets
4 x Seal Washers
1 x Conduit Box Gasket
1 x Silicone Sleeving
1 x Perimeter Light Seal

Disconnect from mains supply before replacing the fuse or the lamp.
Vor dem Einsetzen der Sicherung oder der Lampe Spannungsfreiheit herstellen.
Débrancher le secteur avant de remplacer le fusible ou l'ampoule.
Desconectar del suministro de la red, antes de realizar la sustitución del fusible o de la lámpara.
Voor het vervangen van lamp of zekering, eerst netspanning uitschakelen.
Koppla bort spänningen före byte av en säkring eller en lampa.



Switch Off
Abschalten
Débrancher
Desconectar
Uitschakelen
Stäng av



NOTE: To achieve stated IP rating, grommets should be pieced to accept and form a tight seal on round sheathed cable - Any other form of cable must be sealed in grommet using a waterproof adhesive sealant.

WARNING: Luminaire must be earthed.

NOTE: Luminaire should be cleaned by using warm soapy water and a soft cloth - ensure luminaire is switched off during cleaning.

Dispose of lamps in accordance with lamp manufacturer's instructions

Installation Procedure

Remove trim/diffuser assembly from housing (A).
NOTE: Partially undo each screw in turn, repeat until all screws are free.

Check rating marked on label (G) conforms with mains electrical supply.

Unscrew gear plate (E) fixing screws, insert fingers in cut-outs (D) and pull gear plate from housing (A).

Fit supplied grommets (H & K) in housing (A).

Recessed Conduit Box Mounting - Stick self adhesive gasket (L) on rear face of housing (A) and drill M4 clearance holes for conduit box screws.

Outrigger Fixing - Drill 5mm clearance holes (B) in housing for outrigger screws.

Prepare suitable fixings in mounting surface for outrigger screws.
NOTE: Housing (A) is marked 'TOP' if wall mounting.

Pierce grommet and feed supply cable into housing.

Secure housing (A) to conduit box if applicable using M4 screws.
NOTE: Also use outrigger fixings to secure housing.

Secure housing to mounting surface using suitable screws with supplied seal washers (C).
NOTE: Sealing face of washer to face housing.

Cover live and neutral supply leads with supplied silicone sleeving and connect leads in respectively marked terminals in terminal block (J).

NOTE: Ensure voltage tapping lead is connected to appropriate ballast terminal - see diagram above.

Fit gear plate (E) on housing (A).

Fit appropriate lamp as indicated on label (G).

Fit perimeter light seal (M) on housing and secure trim/diffuser (F) to housing (A).

Suitable for use indoors

Geeignet für Innenanwendung
Pour un usage interne
Adecuada para uso en interiores
Geschild voor gebruik binnen
Lämplig för inomhusbruk



Replace any cracked protective shield.

Dieses symbol bedeutet, dass defekte Schutzgläser sofort ersetzt werden müssen.

Ce symbole indique que vous devez remplacer tout verre de protection fêlé.

Este simbolo indica que hay que reemplazar filtros en caso de rotura o desperfectos.



Dette symbolet indikerer at alle ødelagte (sprukne) sikkerhetglass må skiftes.

Valaisinta ei saa käyttää ilman suoja-alasia vioitunut suoja-lasi on vaihdettava uuteen ennen valaisimen käyttöön ottoa.

< Millimetres >



This Electrical Product MUST be recycled.



12.07

Concord

Avis Way Newhaven East Sussex BN9 0ED
T 0870 606 2030 F 01273 512 688 email: information@concordmarlin.com

