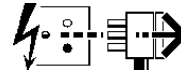
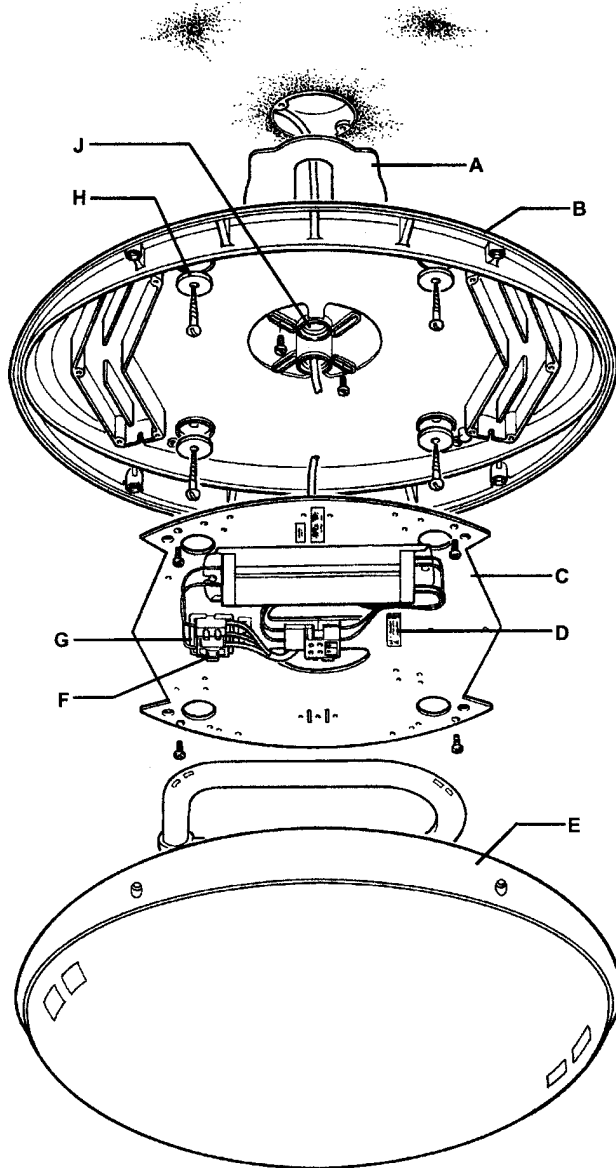


4063645 4063647 4063649 4063651 4063653  
4063655 4063669 4063671 4063673 4063675  
4063677 4063679 4063693 4063695 4063697  
4063699 4063701 4063703 4064481 4064483  
4064485 4064487 4064787 4064789

**Disconnect from mains supply before replacing the fuse or the lamp.**  
Vor dem Einsetzen der Sicherung oder der Lampe Spannungsfreiheit herstellen.  
**Débrancher le secteur avant de remplacer le fusible ou l'ampoule.**  
Desconectar del suministro de la red, antes de realizar la sustitución del fusible o de la lámpara.  
**Voor het vervangen van lamp of zekering, eerst netspanning uitschakelen.**  
Koppla bort spänningen före byte av en säkring eller en lampa.



**Switch Off**  
Abschalten  
**Débrancher**  
Desconectar  
**Uitschakelen**  
Stäng av



- Checklist:**  
2 x Silicone Sleeving  
2 x Grommets  
1 x Gasket  
4 x Seal Washers

**Installation Procedures**

Remove trim/diffuser assembly (E).

Remove gear tray (C).

Prepare suitable fixings in wall or ceiling at 160mm centres.  
NOTE: Housing (B) is marked 'TOP' if wall mounting.

Drill 5mm diameter outrigger holes in housing, and M4 clearance holes if fixing to a conduit.  
NOTE: Outrigger fixing must be used in all installations.

Stick self adhesive sealing gasket (A) on housing (B).

Fit supplied grommets (J) in housing - Fig. 1.

Pierce and pass mains supply cable through a grommet.

Secure housing (B) to mounting surface with suitable fixing screws and seal washers (H). If applicable secure housing to conduit box with M4 screws.  
NOTE: Sealing side of washer to face housing.

NOTE: Apply waterproof sealant around supply cable grommets and the heads of all housing fixing screws.

Pass supply cable through gear tray (C) and fit gear tray.  
NOTE: Tray will only fit in one position.

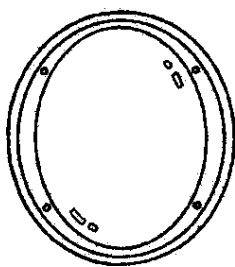
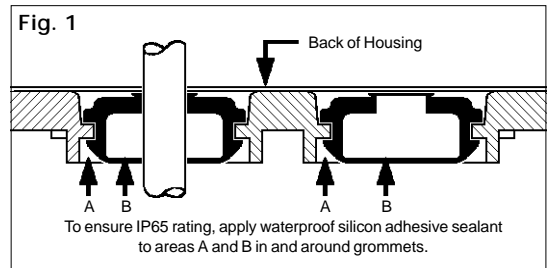
Cover all electrical supply cable leads with supplied silicone sleeving.

Connect cable leads in respectively marked terminals in terminal block (G).

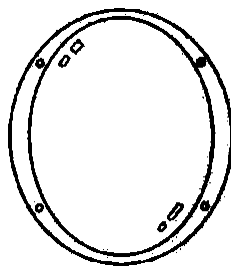
Fit appropriate lamp as indicated on label (D).

Fit trim/diffuser assembly (E)

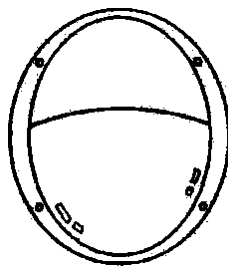
NOTE: Luminaire is protected by a 3A fuse (F).



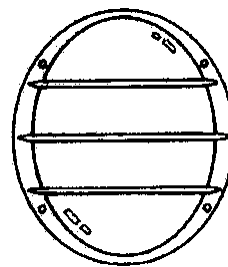
4064481 4064487  
4064483 4064747  
4064485 4064789



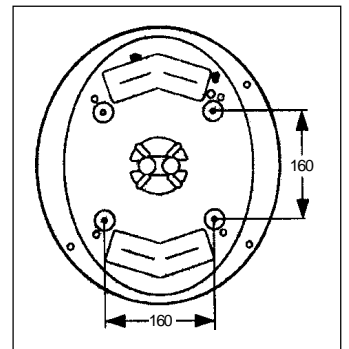
4063645 4063651  
4063647 4063653  
4063649 4063655



4063669 4063675  
4063671 4063677  
4063673 4063679



4063693 4063699  
4063695 4063701  
4063697 4063703



**Suitable for use indoors**  
Geeignet für Innenanwendung  
**Pour un usage interne**  
Adecuada para uso en interiores  
**Geschikt voor gebruik binnen**  
Lämplig för inomhusbruk



**Replace any cracked protective shield.**

Dieses symbol bedeutet, dass defekte Schutzgläser sofort ersetzt werden müssen.

**Ce symbol indique que vous devez remplacer tout verre de protection fêlé.**

Este símbolo indica que hay que reemplazar filtros en caso de rotura o desperfectos.



**Dette symbolet indikerer at alle ødelagte (sprukne) sikkerhetglass må skiftes.**

Valaisinta ei saa käyttää ilman suojalasiasa vioitunut suojalasi on vaihdettava uuteen ennen valaisimen käyttöön ottoa.

< Millimetres >



This Electrical Product  
MUST be recycled.



12.07

**Concord**

Avis Way Newhaven East Sussex BN9 0ED  
T 0870 606 2030 F 01273 512 688 email: information@concordmarlin.com

