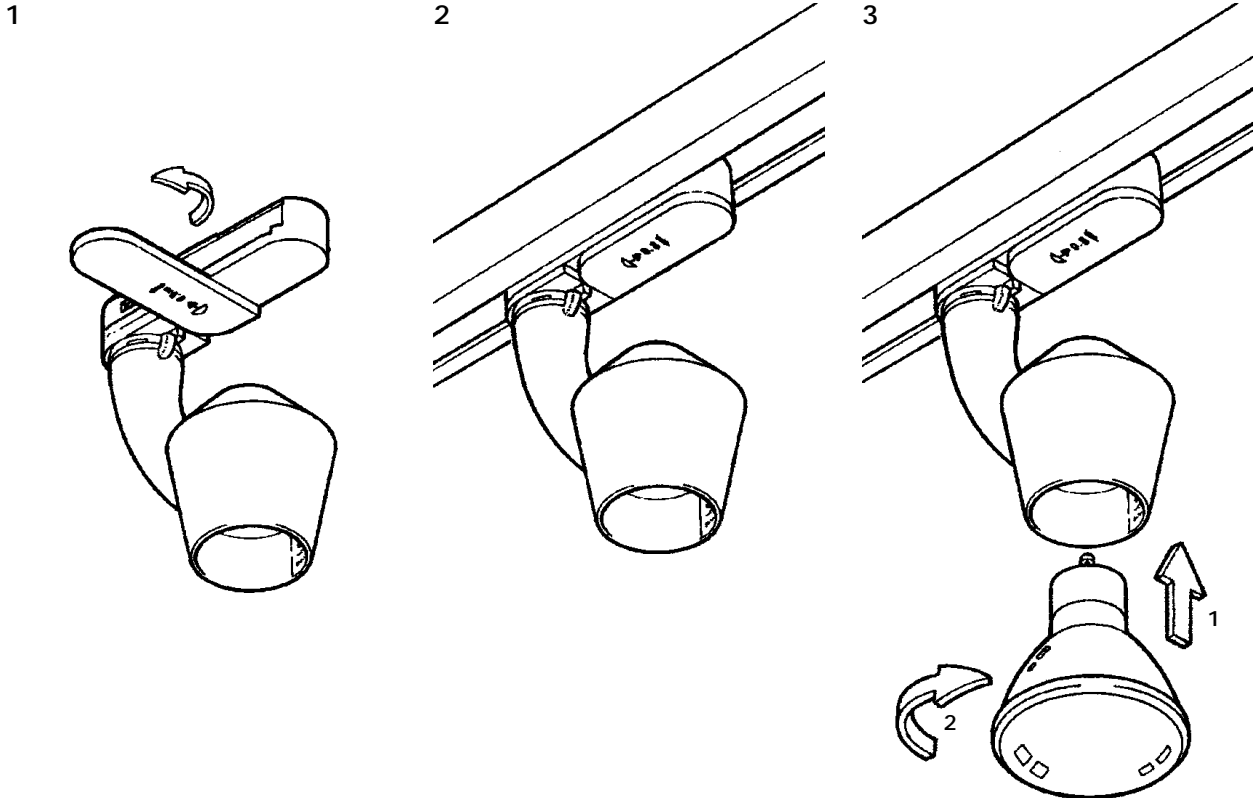



# INSTALLATION INSTRUCTIONS

Single Circuit GU10 Spotlight  
Cat No **S37250 WHI** / **S37250 SILV**

**PLEASE READ THESE INSTRUCTIONS CAREFULLY BEFORE COMMENCING INSTALLATION**

For use with Cat No S10861M WHI / S10861M SILV / S10862M WHI / and S10862M SILV  
and certain other mains voltage single circuit track





**Safety**  Disconnect from mains electrical supply before installation, maintenance or lamp replacement

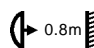
Only use lamp with correct cap (GU10) and wattage (75W Maximum).  
Spotlight must be earthed.  
If in any doubt contact a qualified electrician.

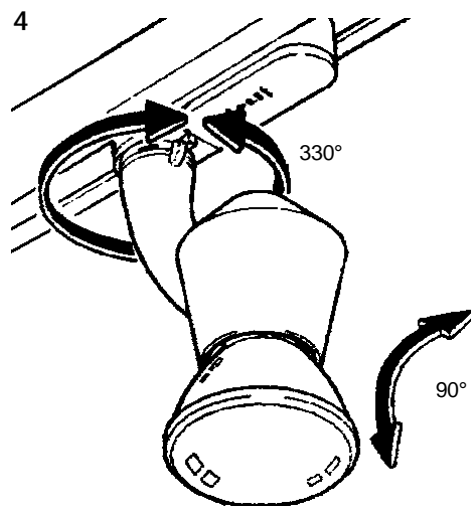
Lamps reach maximum temperature rapidly. Take care when adjusting, relamping or cleaning.  
The manufacturer accepts no responsibility for modified products or for the effects of cleaning solvents or for the accumulation of dust or dirt.  
Do not interconnect Class III products with Class I or Class II.  
This product is suitable for use in ambient temperatures of 25°C.  
Unless otherwise marked, product is IP20 (ordinary). Do not operate in damp or corrosive conditions.  
This product should not be covered with any heat resistant material, air flow around the fitting should not be restricted.  
Note minimum distance of the lamp to adjacent surfaces (0.8m).  
Any enclosure which prevents normal heat dissipation may cause reduced performance, overheating or risk of fire.  
After completing the installation, note suppliers name, address and purchase date and hand this leaflet to the person responsible for lighting maintenance for future reference.  
In case of queries contact the supplier.

The following symbols may be found on the product or labels:

 Class 1 - This fitting **MUST** be Earthed and Equipotentially bonded.

 This fitting is suitable for mounting on normally flammable surfaces.

 Indicates the safest minimum distance of the lamp from a flammable surface (0.8m).



**SECTOR**

Senate House 6-16 Southgate Road Potters Bar Hertfordshire EN6 5DS  
Tel: (01707) 640 000 Fax: (01707) 640 111