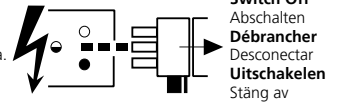
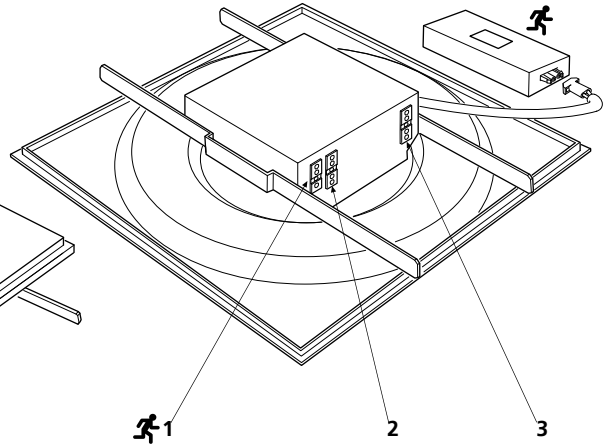
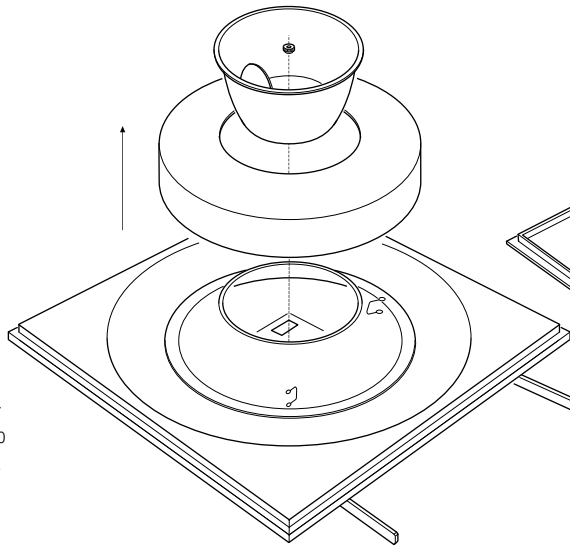
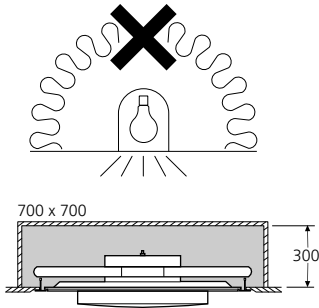


- ~ 500 Dimmable  
2041692 2041693 2041696 2041697
- ~ 500 Dimmable/Emergency  
2041690 2041691 2041694 2041695  
2041698 2041699
- ~ 600 Dimmable  
4064674 4064676 4064678 4064680  
4065243 4065245 4065247 4065249
- ~ 600 Dimmable/Emergency  
4065257 4065258 4065259 4065260  
4065261 4065262 4065263 4065264  
4065265 4065266 4065267 4065268

**Disconnect from mains supply before replacing the lamp.**  
Vor dem Einsetzen der Sicherung oder der Lampe Spannungsfreiheit herstellen.  
**Débrancher le secteur avant de remplacer le fusible ou l'ampoule.**  
Desconectar del suministro de la red, antes de realizar la sustitución del fusible o de la lámpara.  
**Voor het vervangen van lamp of zekering, eerst netspanning uitschakelen.**  
Koppla bort spänningen före byte av en säkring eller en lampa.



**Switch Off**  
Abschalten  
**Débrancher**  
Desconectar  
**Uitschakelen**  
Stäng av



**2**

**1**

4 x 1.0mm<sup>2</sup> Min

EMPTY

N

L

L2

COMPARISON DATE

JAN	FEB	MAR	APR
MAY	JUN	JUL	AUG
SEP	OCT	NOV	DEC
2010	2011	2012	2013
2014	2015	2016	2017
2018	2019	2020	2021

**2&3**

**Push Button Switch Dim (x2)**

10 x 1.0mm<sup>2</sup> Min

- ~ 1 x D1
- ~ 1 x D2
- 1 x ⊕
- 1 x N
- 1 x L

N

L3

**OR**

8 x 1.0mm<sup>2</sup> Min + 2 x Neutral Link

- ~ 1 x D1
- ~ 1 x D2
- 1 x ⊕
- 1 x N
- 1 x L

N

L3

**2&3**

**DSI Dim (x2)**

10 x 1.0mm<sup>2</sup> Min

- ~ 1 x DSI D1
- ~ 1 x DSI D2
- 1 x ⊕
- 1 x N
- 1 x L

N

L3

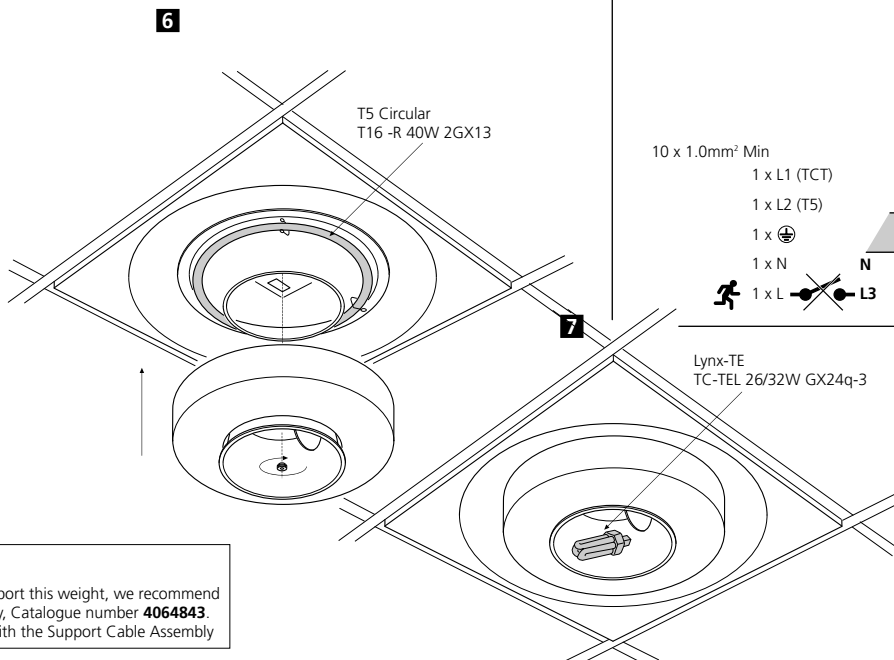
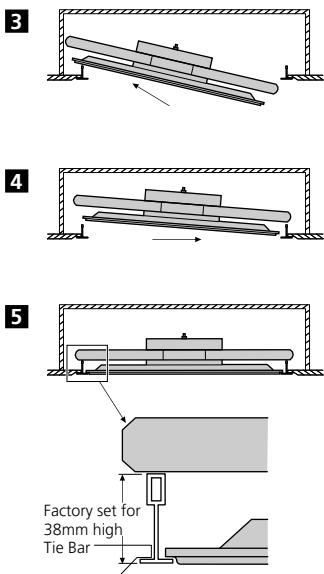
**OR**

8 x 1.0mm<sup>2</sup> Min + 2 x Neutral Link

- ~ 1 x DSI D1
- ~ 1 x DSI D2
- 1 x ⊕
- 1 x N
- 1 x L

N

L3



2041690 2041691 4065257 4065258 4065263 4065264

**3**

10 x 1.0mm<sup>2</sup> Min

- 1 x L1 (TCT)
- 1 x L2 (T5)
- 1 x ⊕
- 1 x N
- 1 x L

N

L3

Kometa 500 = 7Kgs. Max.  
Kometa 600 = 9Kgs. Max  
If the ceiling grid is unable to support this weight, we recommend using the Support Cable Assembly, Catalogue number **4064843**.  
Fitting instructions are supplied with the Support Cable Assembly

#### Routine Testing

Testing should be carried out in accordance with the recommendations of BS5266.

1. A monthly functional test.
  2. Twice yearly, a one hour test.
  3. Every three years, a full three hour duration test.
- The above tests assume a three hour system.
4. Batteries should be replaced when the luminaire no longer meets the 3 hours duration performance.
  5. Testing could be performed by interrupting the fixed phase supply for the test duration, during which the luminaire should remain lit.
  6. Ensure that the 'LED' is 'OFF' during 'Discharge Mode', and 'ON' during 'Charging Mode'.
  7. Replace faulty lamps immediately.

To assist with this testing, a test card is included below.

If the charge indicator (LED) is unlit, this signifies a fault. To increase the chance of a fault being reported between monthly tests, it is desirable that staff are made aware of the purpose of the indicator.

This module should not be modified or repaired by any person other than those nominated by the manufacturer. ANY unauthorised modifications may render the module unsafe and will invalidate our warranty and conformance to any safety standards that may apply. The company will accept no responsibility for any modified modules, or for damage caused as a result of modifications.

All details are given for guidance only and do not constitute a contract. We reserve the right to change the characteristics of products without notice.

#### Test Record

Type.....	Location.....					
Month	Test	1st Year	2nd Year	3rd Year	4th Year	5th Year
	1. Functional					
	2. Functional					
	3. Functional					
	4. Functional					
	5. Functional					
	6. Functional					
	7. Functional					
	8. Functional					
	9. One Hour					
	Three Hour					
	10. Functional					
	11. Function					
	12. Functional					

#### Suitable for use indoors

Geeignet für Innenanwendung

Pour un usage interne

Adecuada para uso en interiores

Geschikt voor gebruik binnen

Lämplig för inomhusbruk

**Replace any cracked protective shield.**

Dieses symbol bedeutet, dass defekte Schutzgläser sofort ersetzt werden müssen.

**Ce symbole indique que vous devez remplacer tout verre de protection fêlé.**

Este símbolo indica que hay que 'reemplazar filtros en caso de rotura o desperfectos'.

**Dette symbolet indikerer at alle deflagte (sprukne) sikkerhetglass må skiftes.**

Valaisinta el saa käyttää ilman suojalasia vioitunut suojalasi on vaihdettava uuteen ennen valaisimen käyttöön ottoa.

