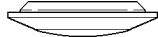
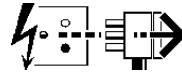


**Planar**  
4065271  
4065272



**Radius**  
4065275  
4065276

**Disconnect from mains supply before replacing the fuse or the lamp.**  
Vor dem Einsetzen der Sicherung oder der Lampe Spannungsfreiheit herstellen.  
**Débrancher le secteur avant de remplacer le fusible ou l'ampoule.**  
Desconectar del suministro de la red, antes de realizar la sustitución del fusible o de la lámpara.  
**Voor het vervangen van lamp of zekering, eerst netspanning uitschakelen.**  
Koppla bort spänningen före byte av en säkring eller en lampa.



**Switch Off**  
Abschalten  
**Débrancher**  
Desconectar  
**Uitschakelen**  
Stång av

**Checklist:**

1. Gasket
2. Grommet
3. Silicone Sleeving
4. Seal Washers

**Installation Instructions**

Remove trim/diffuser assembly (H). See Fig.3.

Loosen gear tray fixing screws and remove gear tray (H).

Prepare suitable fixings in wall or ceiling at 210mm centres - see Fig. 1.

NOTE: Housing (B) is marked TOP if wall mounting.

Drill 5mm diameter outrigger holes in housing, and M4 clearance holes if fixing to conduit box.  
NOTE: Outrigger holes must be used in all installations.

Stick sealing gasket (A) on housing (B).

Fit supplied grommets (K) in housing - see Fig. 2.

Pierce and pass mains supply cable through grommet/s.

Secure housing (B) to mounting surface using suitable fixing screws and seal washers (C). If applicable secure housing to conduit box with M4 screws.  
NOTE: Sealing side of washer to face housing.

NOTE: Apply waterproof sealant around supply cable, grommets and heads of all housing screws.

Pass supply cable through gear tray (H) and fit gear tray.  
NOTE: Tray will only fit in one position.

Cover all electrical supply cable leads with supplied silicone sleeving.

Connect cable leads in respectively marked terminals in terminal block (G).

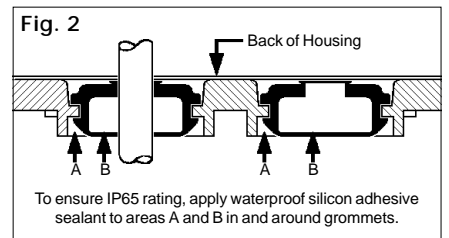
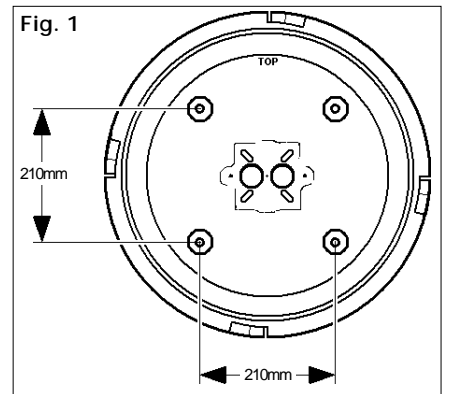
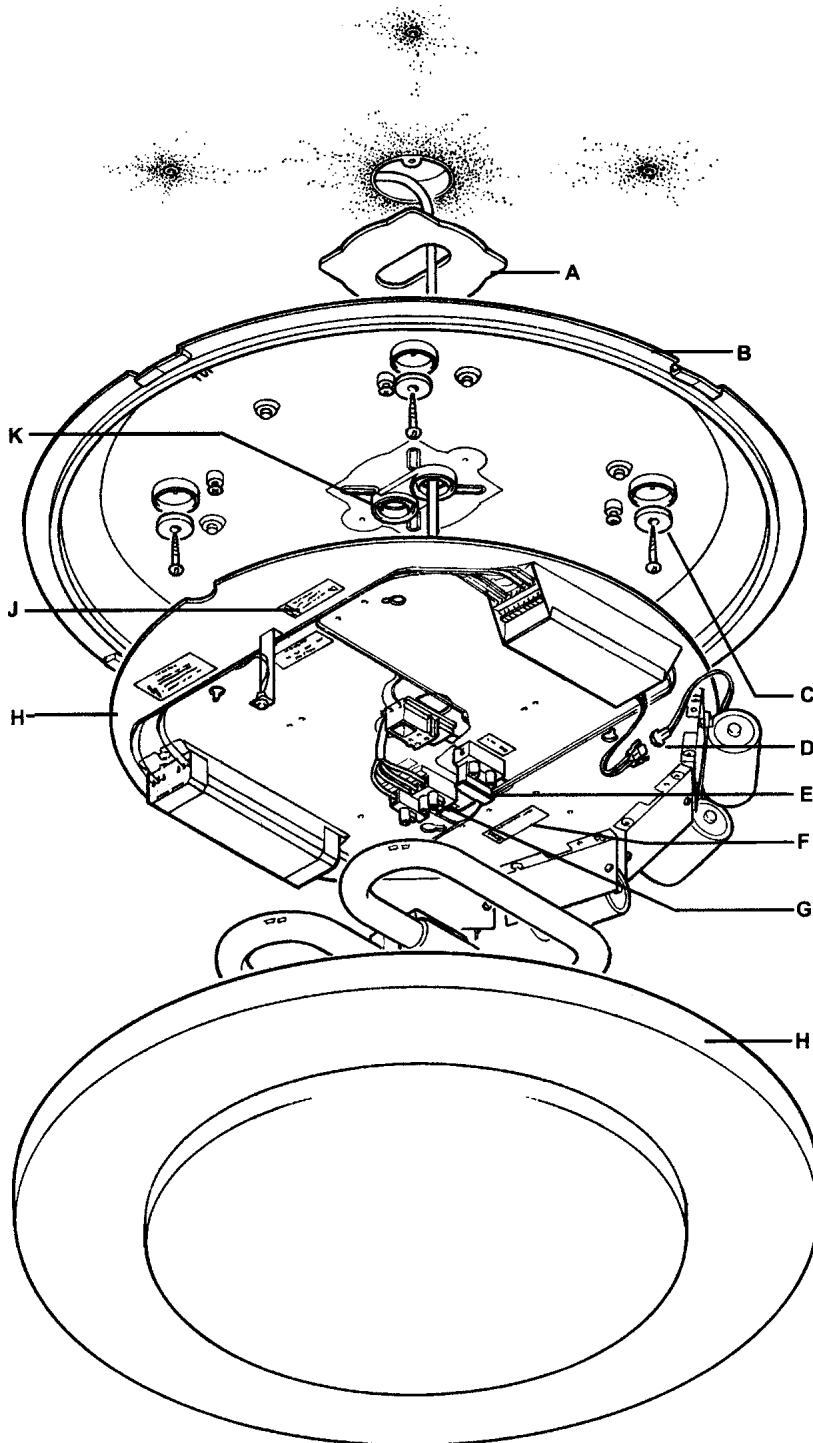
Enter installation date on label (F).

Fit appropriate lamp (38W TC-DD) as indicated on label (J).

Connect battery plug and socket (D).

Fit trim/diffuser assembly (H), see Fig. 3.

NOTE: Luminaire is protected by 3A fuse (E).

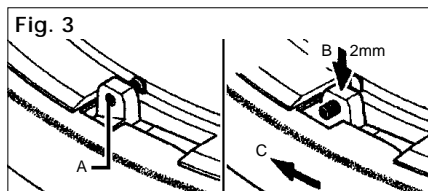


**Removing Diffuser Assembly.**

Using a M4 socket key, unscrew (A) out a minimum of 4mm. Depress (B) down 2mm, and rotate trim/diffuser (C) anti-clockwise.

**Fitting Trim/Diffuser Assembly.**

Rotate clockwise until it clicks into position and tighten screw (A) until flush as shown.



**Routine Maintenance**

Routine maintenance must be carried out in compliance with the requirements of BS5266:Part 1 - Emergency Lighting of Premises.

The following tests assume a three-hour system.

- Daily:**
1. Check that any recorded faults have been rectified.
  2. Check that the maintained emergency lamp is operative.
  3. Check that the charge indicator light is illuminated.
- Monthly: (Functional)**
1. Simulate a mains failure and check that the emergency lamp illuminates and remains on for several minutes.
  2. After reverting back to mains supply check the charge indicator light is illuminated.
- Six Monthly: (1 Hour)**
1. Simulate a mains failure and check that the emergency lamp illuminates and remains on for one hour.
  2. After reverting back to mains supply check the charge indicator light is illuminated.
  3. On restoring the mains supply the unit will require approximately 24 hours to recharge before becoming fully operational.
- Three Years: (3 Hours)**
1. Simulate a mains failure and check that the emergency lamp illuminates and remains on for at least 3 hours.
  2. After reverting back to mains supply check the charge indicator light is illuminated.
  3. On restoring the mains supply the unit will require approximately 24 hours to recharge before becoming fully operational.

It is recommended that the battery packs and lamps are replaced every 4 years or sooner if the units performance fails to meet the above requirements. To maintain optimum unit performance, only approved replacement battery packs and lamps must be used.

All routine maintenance checks must be recorded on the unit Routine Test Record and must be made available for inspection at all times.

**Installation and Commissioning Record**

Luminaire Model Ref: \_\_\_\_\_ Location: \_\_\_\_\_  
 Installed By: \_\_\_\_\_ Date: \_\_\_\_\_  
 Commissioned by: \_\_\_\_\_ Date: \_\_\_\_\_  
 (Full Charge and Discharge Cycle)

**Routine Test Record**

Monthly Test	First Year		Second Year		Third Year		Forth Year		Fifth Year	
	Signed	Dated	Signed	Dated	Signed	Dated	Signed	Dated	Signed	Dated
Functional										
Functional										
Functional										
Functional										
Functional										
1 Hour Duration										
Functional										
Functional										
Functional										
Functional										
Functional										
1 Hour Duration										
3 Hour Duration										

**Suitable for use indoors**  
 Geeignet für Innenanwendung  
**Pour un usage interne**  
 Adecuada para uso en interiores  
**Geschikt voor gebruik binnen**  
 Lämpig för inomhusbruk



**Replace any cracked protective shield.**  
 Dieses symbol bedeutet, dass defekte Schutzgläser sofort ersetzt werden müssen.  
**Ce symbol indique que vous devez remplacer tout verre de protection fêlé.**  
 Este simbolo indica que hay que 'reemplazar filtros en caso de rotura o desperfectos'.  
**Dette symbolet indikerer at alle ødelagte (sprukne) sikkerhetsglass må skiftes.**  
 Valaisinta el saa käyttää ilman suojalasia vioittunut suojalasi on vaihdettava uuteen ennen valaisimen käyttöön ottoa.

< Millimetres >  This Electrical Product **MUST** be recycled.  11.07

