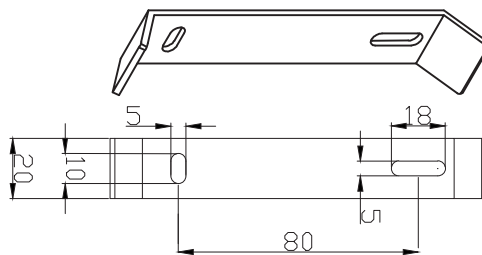
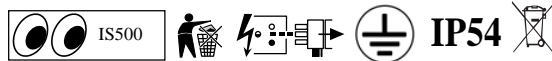


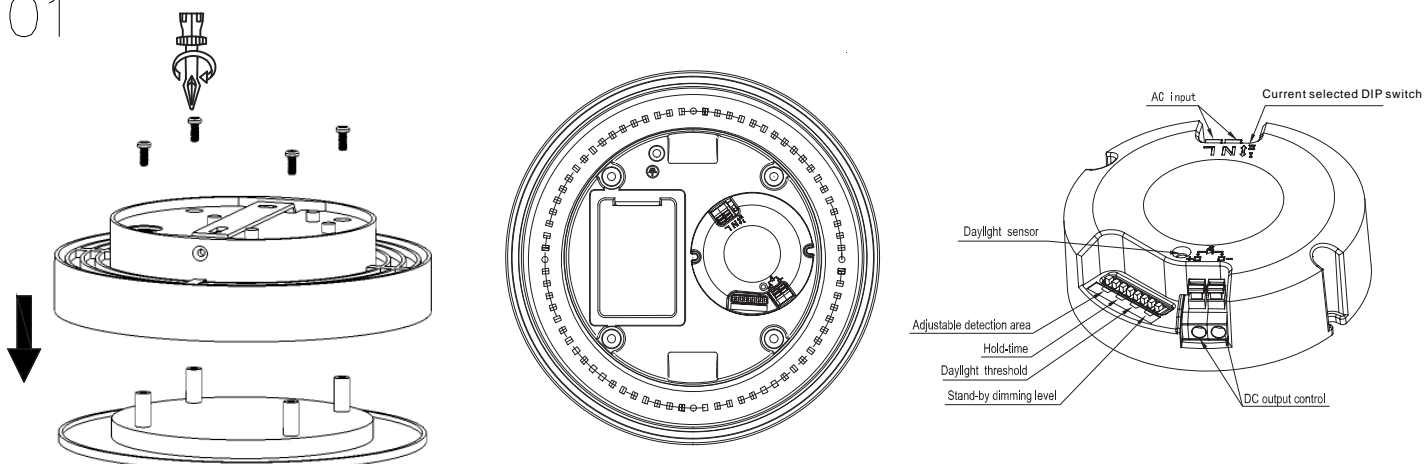
# VELITE WALL ROUND and SQUARE Sensor

IS10158

0047817  
0047818



01



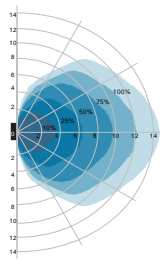
## 02 Setting the sensor unit: By selecting the combination on the DIP switch, sensor data can be precisely set for each specific application.

ON ↑ ↓		1	2	
	I	ON	ON	100%
	II	-	ON	75%
	III	ON	-	50%
IV	-	-	10%	

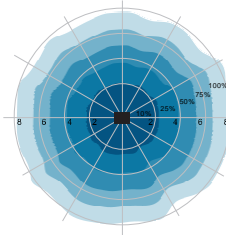
### Detection area

Detection area can be reduced by selecting the combination on the DIP switches to fit precisely each application.

### Detection Pattern



Wall mounting pattern (Unit: m)  
Suggested installation height: 1-1.8m



Ceiling mounting pattern (Unit: m)  
Suggested installation height: 2.5-6m

ON ↑ ↓		3	4	
	I	ON	ON	5s
	II	-	ON	90s
	III	ON	-	3min
IV	-	-	10min	

### Hold time

Refers to the time period the lamp remains at 100% illumination after no motion detected.

ON ↑ ↓		5	6	
	I	ON	ON	Disable
	II	-	ON	50Lux
	III	ON	-	15Lux
IV	-	-	5Lux	

### Daylight sensor

The sensor can be set to only allow the lamp to illuminate below a defined ambient brightness threshold.

When set to Disable mode, the daylight sensor will switch on the lamp when motion is detected regardless of ambient light level.  
50lux: twilight operation, 15lux, 5lux: darkness operation only.

ON ↑ ↓		7	8	
	I	ON	ON	0s
	II	-	ON	30s
	III	ON	-	10min
IV	-	-	+∞	

### Corridor function (Stand-by period)

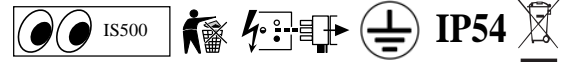
Refers to the time period the lamp remains at a low light level before it completely switches off in the long absence of people.

When set to "+∞", the low light is maintained until motion is detected.  
When set to "0s", the light will turn off after hold time.

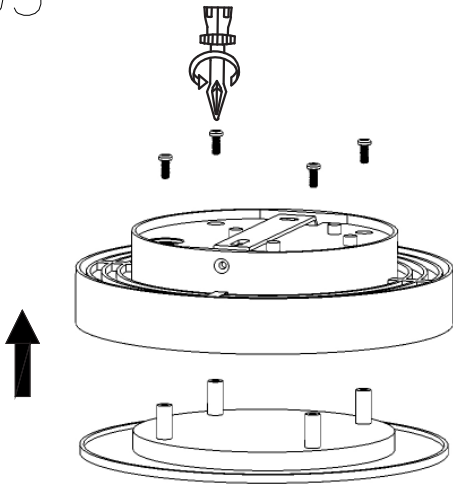
# VELITE WALL ROUND and SQUARE Sensor

IS10158

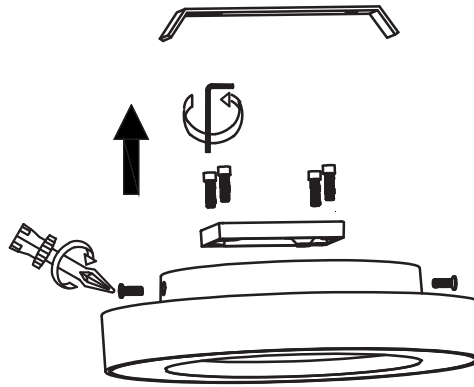
0047817  
0047818



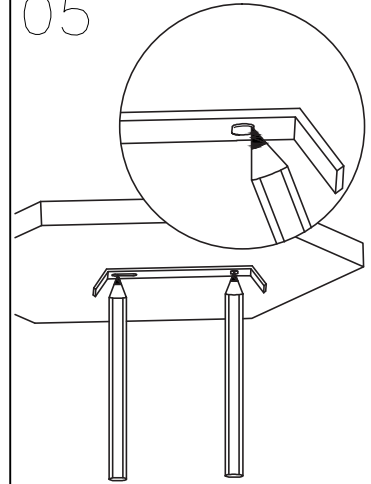
03



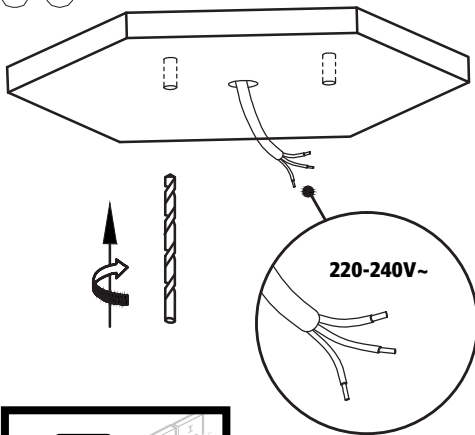
04



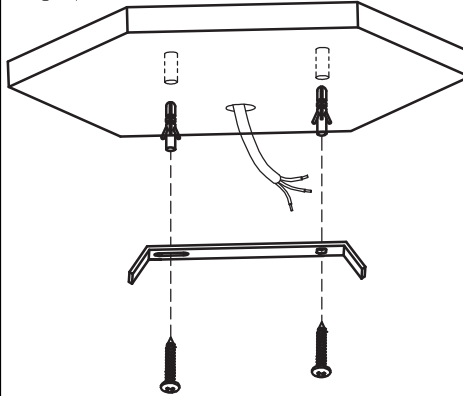
05



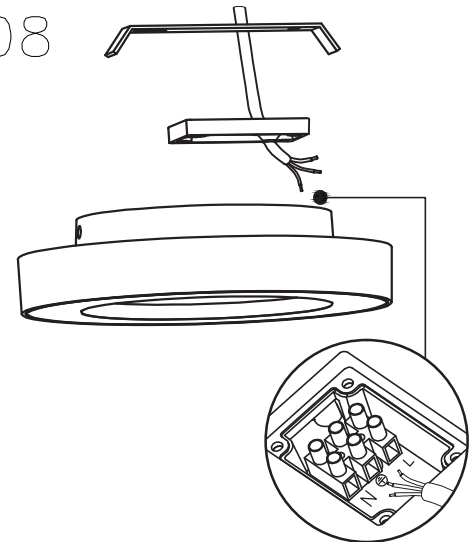
06



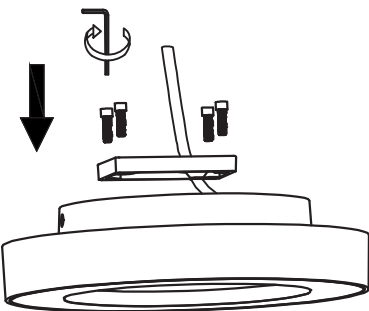
07



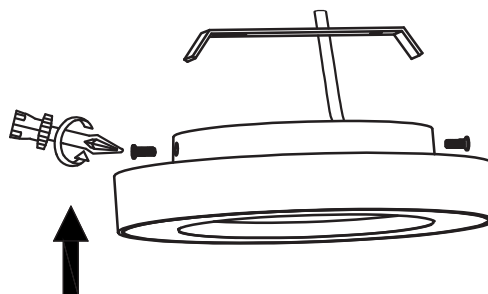
08



09



10



11

