

Installation Instructions for: **LVD 5400 LVD 5401 LVD 5402 LVD 5403 LVD 5404**

9134771  
9134774  
9134780  
9134783  
9134785

Follow these instructions carefully to ensure safe and reliable operation.

### Safety

Follow the appropriate wiring regulations, if in any doubt contact a qualified electrician.

Disconnect mains supply before installation, maintenance or replacing the lamp.

Unless otherwise marked, fittings are IP20 (ordinary), do not operate in continuously damp or corrosive environments.

Do not interconnect Class III fittings with Class II.

This fitting is suitable for use in ambient temperatures of 25°C and should not be covered with any heat insulating material.

Airflow around the fitting should not be restricted.

Use eye protection when drilling for/cutting out the mounting hole.

Only lamps of the correct type should be used - 12V 50W QR-CBC 51 GX/GU5.3(Max).

Not for use with dichroic lamps.

Lamps reach maximum temperature rapidly. Take care when adjusting, relamping or cleaning.

We accept no responsibility for modified fittings or for the effects of cleaning solvents or the accumulation of dirt or dust.

### Installation Instructions

Before commencing ensure the void above the drill/cut out area is free from cables and any obstructions.

Mark the position for the mounting hole. See diagram below for cut out dimensions.

Cut out mounting hole.

This product should be connected to a 12V SELV Transformer. 

Fit terminal block mounting bracket to side of housing and secure.

Allow lampholder to drop down through the housing aperture.

Fit lamp into lampholder and secure in place using the circular clip provided.

To avoid the clip 'slipping out' accidentally, ensure that both the notches in the clip are located into the slots in the housing.

Release the terminal block cover. Prepare and connect the transformer cables and refit terminal block cover.

With the fixing springs held vertical, push housing through mounting hole.

Carefully release fixing springs to secure the housing into position.

Switch on the mains supply and check that the fitting is operating correctly

Fitting(s) can be dimmed using a suitable low voltage dimmer switch.

### Cleaning

Switch off mains and allow to cool.

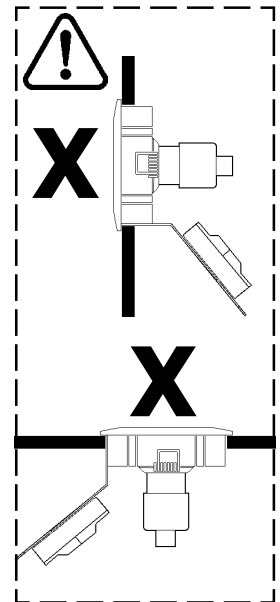
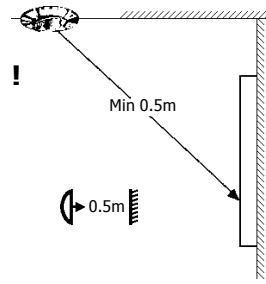
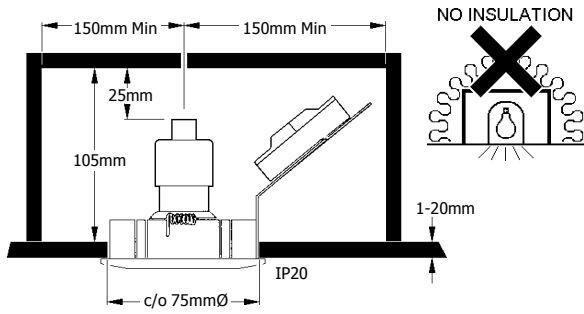
Do not use any abrasive or solvent cleaners.

Clean with a damp cloth using mild soap if necessary.

### Installation Instruction Leaflet

After completion of the installation please leave this leaflet with the person responsible for lighting maintenance/end user.

# 12V 50W Halogen



- This fitting is suitable for mounting on normally flammable surfaces
- Indicates the safest minimum distance of the lamp from a flammable surface

