

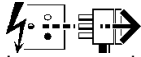
REMOVE  
DIFFUSER



Installation Instructions for: **AL4299 AL4302**

**SAFETY**

Follow the appropriate national wiring regulations. If in any doubt contact a qualified Electrician.



Disconnect from Mains supply before installation, maintenance or replacing the lamp.

Lamps reach maximum temperatures rapidly. Take care when adjusting, relamping or cleaning.

Alto accepts no responsibility for modified products or for the effects of cleaning solvents or for the accumulation of dust or dirt.

Do not interconnect Class III products with Class I or Class II. Unless otherwise marked, products are IP21. Do not use in continuously damp or corrosive situations.




All products are suitable for use in ambient temperatures of 25° C. The products should not be covered with any heat insulating material, air flow around the fitting should not be restricted. Note minimum distances to adjacent surfaces. Any enclosure which prevents normal heat dissipation may cause reduced performance, overheating or risk of fire. (see Installation Instructions for recommendations). These products should be connected to the lighting circuit, or fused at a maximum of 5A.

After completing the installation note the suppliers name, address and purchase date and hand this leaflet to the person responsible for lighting maintenance, for future reference.

NB. The shaver socket will continuously accommodate a 20W load for 20 minutes, prior to a 5 minute recovery period. This cycle may be repeated once before a substantial rest period is necessary.

Follow these instructions carefully to ensure safe and reliable operation. Retain this leaflet for future reference. In case of any queries contact your supplier.

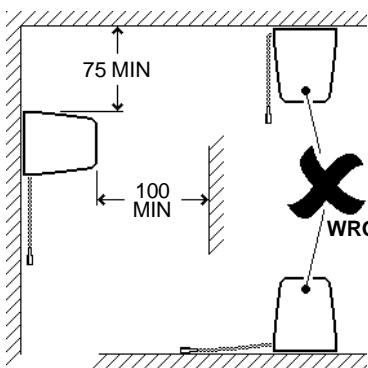
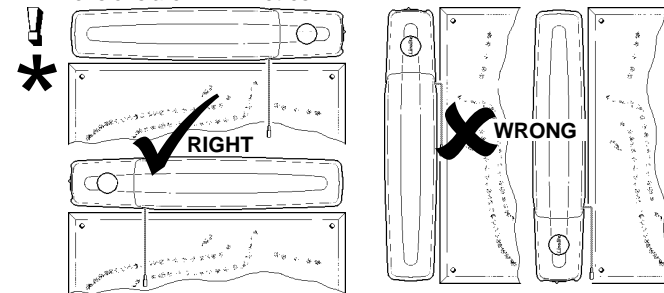
The following symbols may be found on the product or labels:

-  -This fitting is suitable for mounting on Normally Flammable surfaces.
-  -Indicates the safest minimum distance of lamp from a flammable surface.
-  -Class II Double insulated. This fitting must not be Earthed.

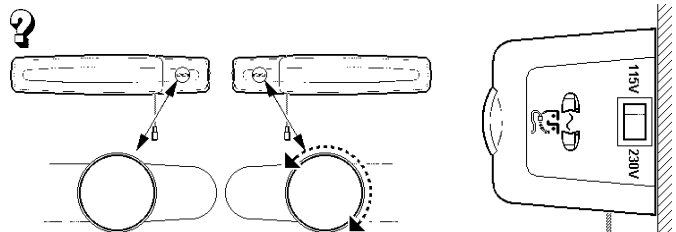
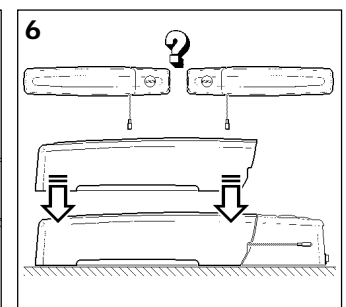
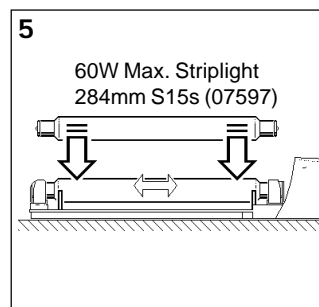
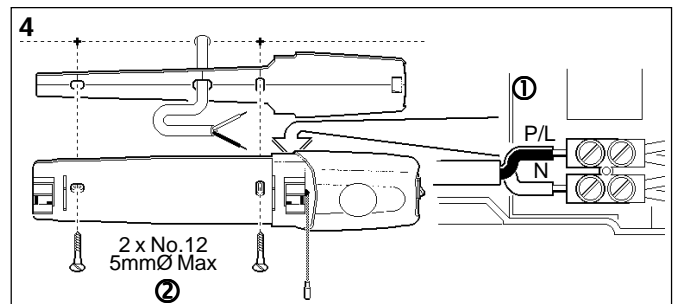
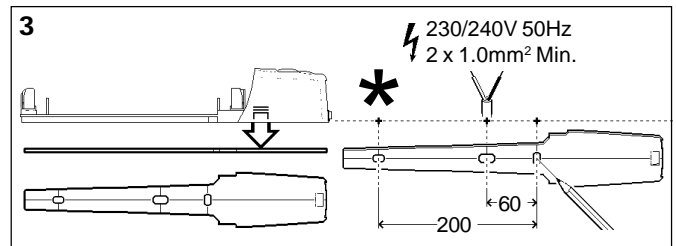
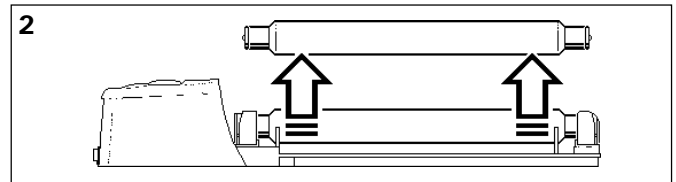
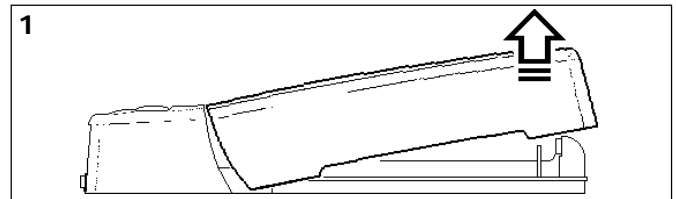
Throughout these instructions the following coding may be used:

- Line (L) - Brown or Red.
- Neutral (N) - Blue or Black.

All Dimensions are in Millimetres



These products must only be mounted **HORIZONTALLY** on a vertical surface. Do not cover the product or use as a shelf.



These products have a transformer giving a shaver socket outlet of 115V or 230V (dual voltage), up to a maximum power consumption of 20VA. They are fitted with a solid state overload device, which will render the socket inoperable should the maximum power consumption be exceeded. If this should occur, switch off the mains supply and withdraw the plug from the shaver socket. The device will automatically reset itself after a short time.

These products are designed to operate **SHAVERS ONLY**.

Should you have any queries with this product please contact your local Alto branch

