

# Optix Wallwasher (DSI Dimmable)

Installation Instructions  
IS500

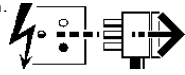


This Product  
MUST be EARTHED

## IS1106

4063974 (2 x 26W)  
4165204 (2 x 32W)

**Disconnect from mains supply before replacing the fuse or the lamp.**  
Vor dem Einsetzen der Sicherung oder der Lampe Spannungsfreiheit herstellen.  
**Débrancher le secteur avant de remplacer le fusible ou l'ampoule.**  
Desconectar del suministro de la red, antes de realizar la sustitución del fusible o de la lámpara.  
**Voor het vervangen van lamp of zekering, eerst netspanning uitschakelen.**  
Koppla bort spänningen före byte av en säkring eller en lampa.



**Switch Off**  
Abschalten  
Débrancher  
Desconectar  
Uitschakelen  
Stäng av

This luminaire is designed for interior ceiling mounting.

Installation should be carried out by a suitably qualified person in accordance with good electrical practise and the appropriate national wiring regulations.

Switch off mains electrical supply before commencing installation.

### Installation Procedures

Prepare aperture in mounting surface.

Remove reflector (H) and check rating marked on label (G) conforms with mains electrical supply.

Remove mounting clips (F) from reflector housing (J) as shown in Fig. 1.

Remove gear unit end panel (D).

Connect mains electrical supply leads in terminal block (A).

Connect DSI Dimming control to terminal (C).

If receiver is to be used for dimming, connect cable leads to terminals (B & C).

Re-fit gear unit end panel (D) ensuring all cables are securely clamped.

Place gear unit through ceiling aperture.

Refer to the table on right and secure housing (J) in ceiling aperture with mounting clips (F) as shown in Fig. 2.

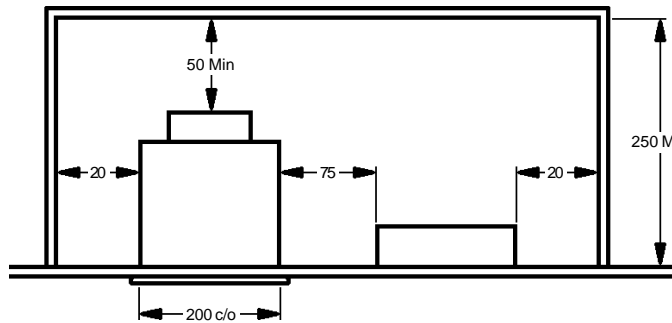
Re-fit reflector (H) in housing (J) ensuring that the rubber is positioned on end of screw as shown in Fig. 3.

Fit supplied lamps.

**WARNING:** This luminaire must be earthed.

**NOTE:** This luminaire should be cleaned using warm soapy water and a soft cloth.

Dispose of lamps in accordance with manufacturers instructions.

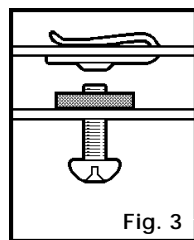
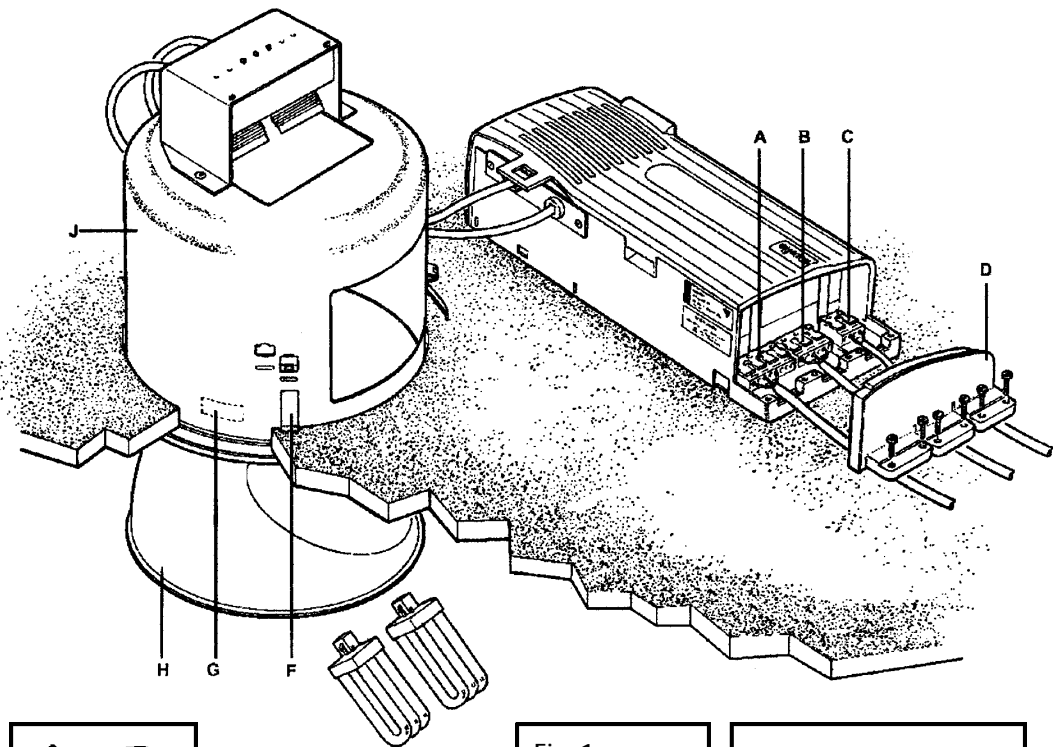


**NOTE:**

**IMPORTANT:** Install in still air voids only.

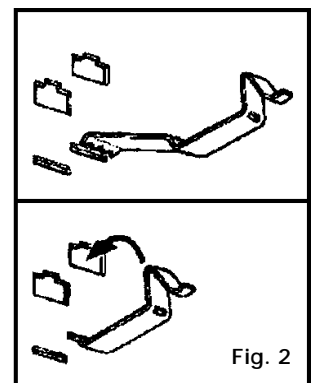
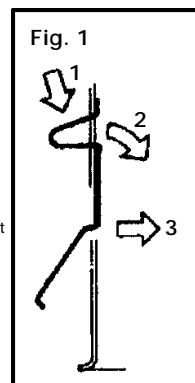
Use supplied polythene glove when handling the reflector.

To avoid flexing of sheet metal tiles use a 6mm backing board



Ceiling Thickness (mm)	Fixing Slot
5 - 16	Bottom
16 - 31	Top

To avoid flexing of sheet metal tiles use a 6mm backing board



**Suitable for use indoors**  
Geeignet für Innenanwendung  
**Pour un usage interne**  
Adecuada para uso en interiores  
**Geschikt voor gebruik binnen**  
Lämplig för inomhusbruk



**Replace any cracked protective shield.**

Dieses symbol bedeutet, dass defekte Schutzgläser sofort ersetzt werden müssen.

**Ce symbol indique que vous devez remplacer tout verre de protection fêlé.**

Este simbolo indica que hay que reemplazar filtros en caso de rotura o desperfectos.

**Dette symbolet indikerer at alle ødelagte (sprukne) sikkerhetglass må skiftes.**

Valaisinta el saa käyttää ilman suojalasia vioittunut suojalasia on vaihdettava uuteen ennen valaisimen käyttöön ottoa.

< Millimetres >



This Electrical Product  
MUST be recycled.



06.08

# Concord

Avis Way Newhaven East Sussex BN9 0ED  
T 0870 606 2030 F 01273 512 688 email: information@concordmarlin.com



© Concord Lighting Ltd.