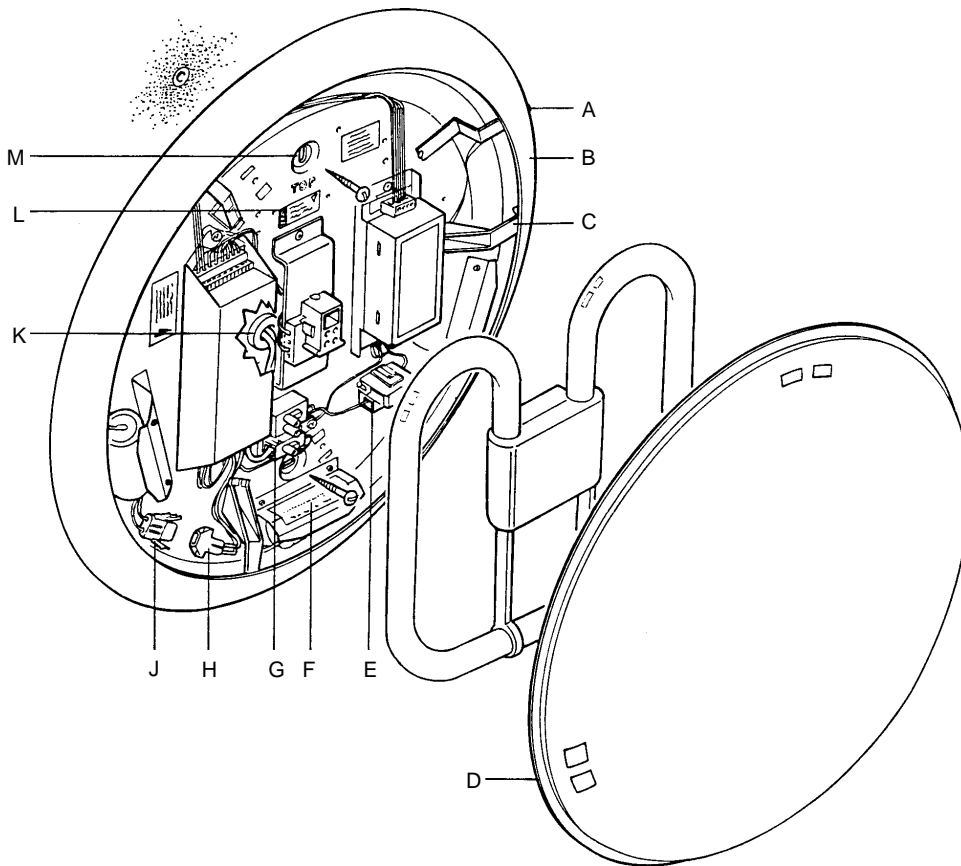




4065294 4065614 4065618 - 350  
 4065296 4065616 4065620 - 450

**Lumen Output = 90**



This luminaire is suitable for ceiling or wall mounting in interior situations.

Installation should be carried out by a qualified person in accordance with good electrical practice and the appropriate national wiring regulations.

Switch off the mains electrical supply before commencing installation.

**INSTALLATION PROCEDURE**

Remove diffuser (D) as shown. Check rating marked on label (L) conforms with mains electrical supply.

Prepare suitable fixings in the mounting surface at 192mm centres for outrigger holes (M).

NOTE: For wall mounted applications gallery (B) is marked 'TOP'.

Fit supplied grommets (K) in gallery.

Pass mains supply leads through the grommet/s and secure gallery (B) to mounting surface using suitable fixing screws.

Cover leads with supplied silicone sleeving and connect terminals to terminal block. Enter connection date on battery label (F).

Connect battery plug (J) and socket (H).

Fit appropriate lamp as indicated on the label (L) by pushing it firmly into lampholder.

Fit diffuser (D) as shown ensuring it is held concentrically by the retaining clips (C).

NOTE: Luminaire is protected by a 3A fuse (E).

**TESTING**

Switch on mains supply and check that the charge indicator lamp (A) is on.

Leave luminaire on continuous charge for 24 hours.

Simulate a mains failure, and check that the lamp operates for 3 hours. If full duration of 3 hours is not achieved, repeat the charge/discharge cycle as battery packs may have discharged in stock and will require conditioning.

**WARNING**

THIS LUMINAIRE MUST BE EARTHED.

DO NOT INSULATION TEST.

DO NOT MODIFY THE LUMINAIRE

**WARNING**

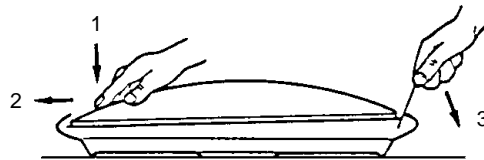
DO NOT SWITCH OFF THE LUMINAIRE AFTER INSTALLATION, AS UNSWITCHED SUPPLY MUST BE MAINTAINED.

IF INTERRUPTION TO THE SUPPLY IS UNAVOIDABLE, THE BATTERIES MUST BE DISCONNECTED OR DAMAGE MAY OCCUR.

**NOTE:**

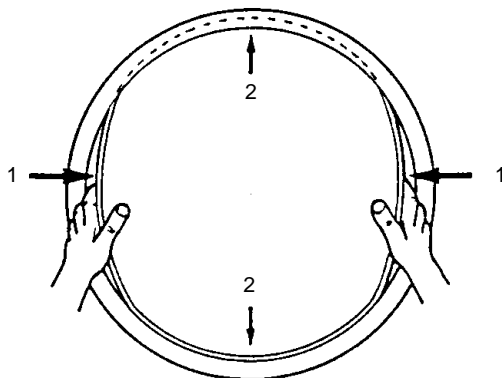
THIS LUMINAIRE SHOULD BE CLEANED BY USING WARM SOAPY WATER AND A SOFT DAMP CLOTH - ENSURE THAT THE LUMINAIRE IS SWITCHED OFF DURING CLEANING.

DISPOSE OF LAMPS IN ACCORDANCE WITH THE LAMP MANUFACTURERS INSTRUCTIONS.



Removing the diffuser.

1. Press down.
2. Push to side.
3. Lever out.



Fitting the diffuser.

1. Flex in.
2. Insert under rim.
3. Centralise.



This Electrical Product MUST be recycled.

**Suitable for use indoors**  
 Geeignet für Innenanwendung  
**Pour un usage interne**  
 Adeuada para uso en interiores  
**Geschikt voor gebruik binnen**  
 Lämplig för inomhusbruk



© Concord Lighting Ltd.  
**SYLVANIA XL** by Concord:marlin  
 Avis Way Newhaven East Sussex BN9 0ED UK  
 T 0870 606 2030 F 01273 512 688

**CE** This product is manufactured to comply with the following EEC Directive as applicable:  
 EMC Directive 89/336/EEC  
 LV Directive 73/23/EEC