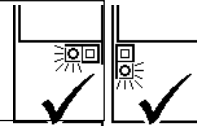
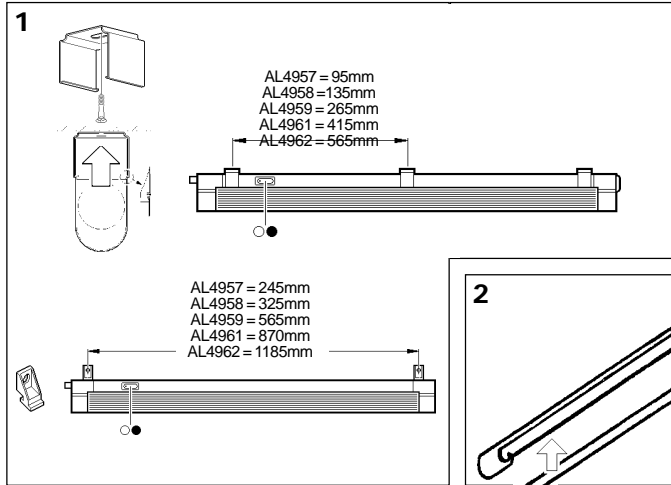


Disconnect from mains supply before replacing the fuse or the lamp.
 Vor dem Einsetzen der Sicherung oder der Lampe Spannungsfreiheit herstellen.
Débrancher le secteur avant de remplacer le fusible ou l'ampoule.
 Desconectar del suministro de la red, antes de realizar la sustitución del fusible o de la lámpara.
Voor het vervangen van lamp of zekering, eerst netspanning uitschakelen.
 Koppla bort spänningen före byte av en säkring eller en lampa.

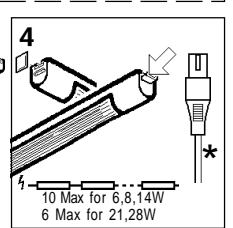
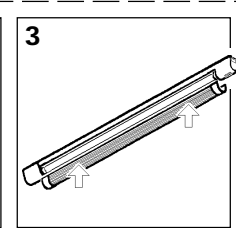
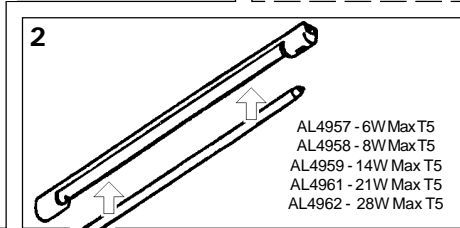
Switch Off
Abschalten
Débrancher
Desconectar
Uitschakelen
Stäng av



Installation Instructions for: Cabinet Lite LS200
 AL4957 AL4958 AL4959 AL4961 AL4962



This marking indicates that this product should not be disposed of with other household wastes throughout the EU. To prevent possible harm to the environment or human health from uncontrolled waste disposal, recycle it responsibly to promote the sustainable reuse of material resources. To return your used device, please use the return and collection systems or contact the retailer where the product was purchased. They can take this product for environmental safe recycling.
 Innerhalb der EU weist dieses Symbol daraufhin, dass dieses Produkt nicht ueber den Hausmüll entsorgt werden darf. Altgeräete enthalten wertvolle recyclingtaehige Materialien, die einer Vverwertung zugetuehrt werden sollten und um der Umwelt bzw. der menschlichen Gesund nicht durch unkontrollierte Müalabeseitigung zu schaden. Bitte entsorgen Sie Altgeräete deshalb ueber geeignete Sammelsysteme oder senden Sie das Gerät zur Entsorgung an die Stelle, bei der Sie gekauft haben. Diese wird dann das Gerät der stofflichen Verwertung zufuehren.



Follow these instructions carefully to ensure safe and reliable operation.

1. Follow product Instruction Sheet to ensure safe and reliable operation. Retain for future reference.
2. Products should be installed in accordance with International Wiring Regulations. If in any doubt, contact a qualified electrician.
3. Switch off mains supply before commencing installation.
4. Check that rating on product label conforms to the mains electrical supply.
5. Do not insulation test.
6. ALTO accepts no responsibility for modified products.
7. Unless otherwise marked, products are IP20 (Ordinary). Do not operate in damp or corrosive situations. If the luminaire is to be exposed to dust or moisture, the appropriate IP (XX) rated luminaire should be used.
8. Use only the correct replacement lamp as indicated on product label.
9. ▽- Suitable for directly mounting on normally flammable surfaces. Any enclosure or thermal insulation which prevents normal heat dissipation may cause reduced performance, overheating or risk of fire.
10. Disconnect from mains supply before replacing the fuse or the lamp.
11. Suitable for use indoors.

SAFETY

Follow the appropriate wiring regulations, if in any doubt contact a qualified electrician.
 Disconnect from mains supply before installation, maintenance or replacing the lamp.
 This fitting is suitable for use in ambient temperatures of 25°C.

We accept no responsibility for modified fittings or for the affects of cleaning solvents or the accumulation of dirt or dust.
 Do not interconnect Class III fittings with Class II.
 Unless otherwise marked, fittings are IP20 (ordinary), do not operate in continuously damp or corrosive environments. If the luminaire is to be exposed to dust or moisture, the appropriate IP(XX) rated luminaire should be used.

Only lamps of the correct type should be used.

Cleaning

Switch off mains and allow to cool.
 Do not use any abrasive or solvent cleaners.
 Clean with a damp cloth using mild soap if necessary.

Installation Instruction Leaflet

After completion of the installation please leave this leaflet with the person responsible for lighting maintenance/end user.

Should you have any queries with this product please contact your local ALTO Stockist



This Electrical Product MUST be recycled.