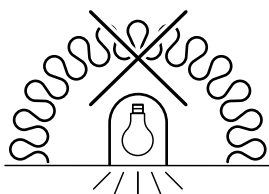


2038962
2038963



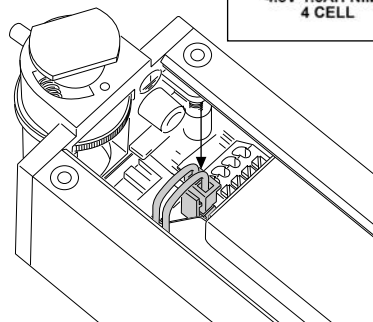
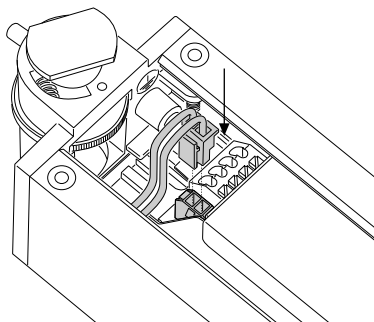
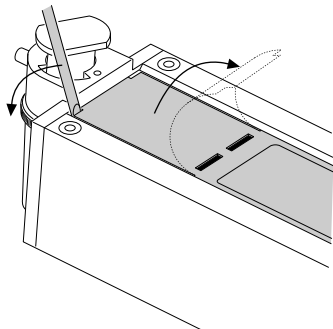
220-240V~ 50-60Hz



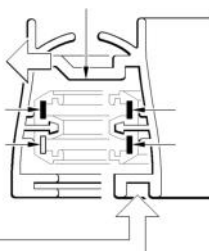
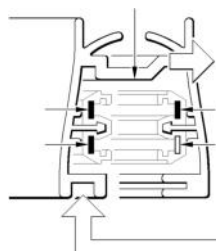
Concord
Avis Way Newhaven East Sussex BN9 0ED
Tel: 0870 606 2030

**4.8V 1.5AH NIMH
4 CELL**

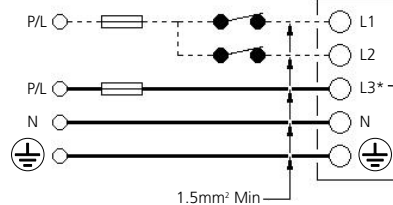
| | | | | |
|--------------------|------|------|------|-----|
| COMMISSIONING DATE | MAY | JUN | JUL | AUG |
| 2015 | 2016 | 2017 | 2018 | |
| 2019 | 2020 | 2021 | 2022 | |
| 2023 | 2024 | 2025 | 2026 | |



**Lytespan 3
Lytespan 3 Recessed**

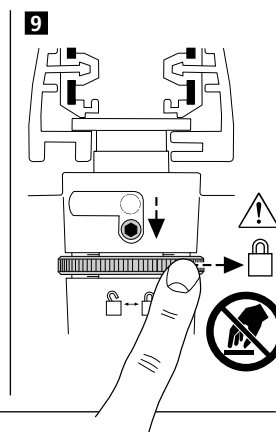
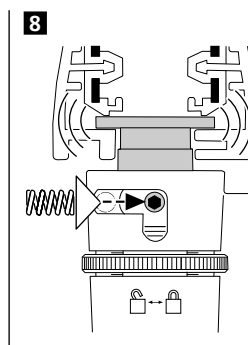
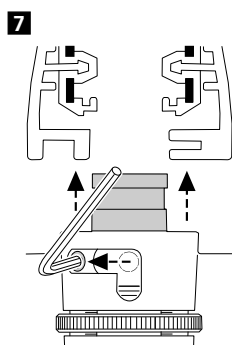
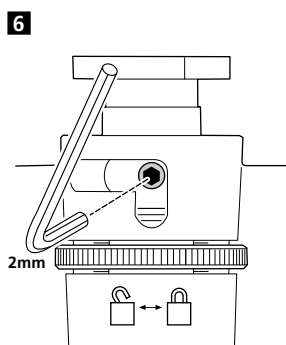
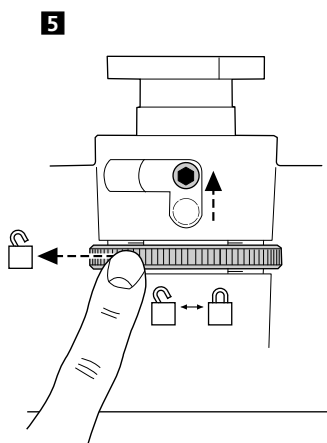
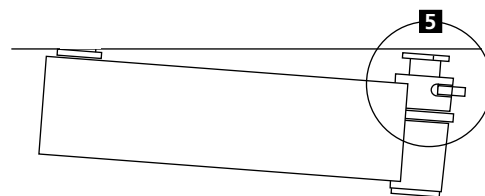
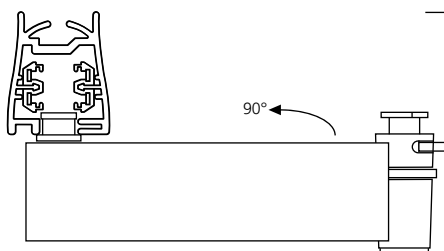
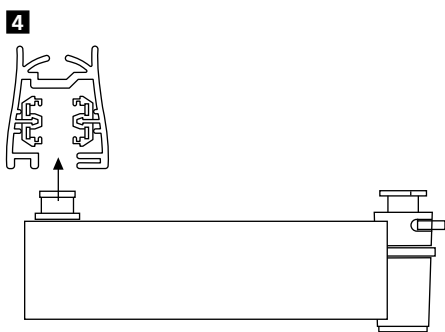
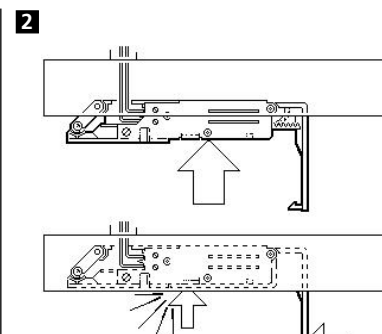
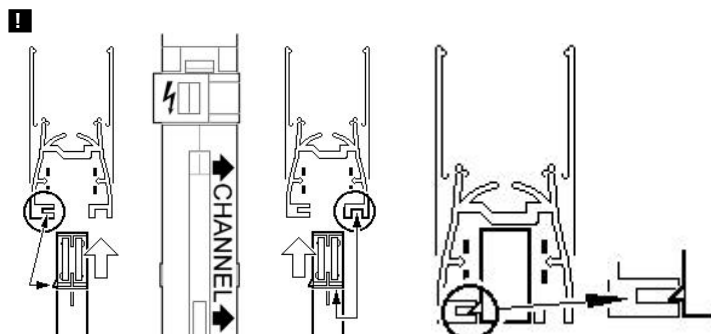
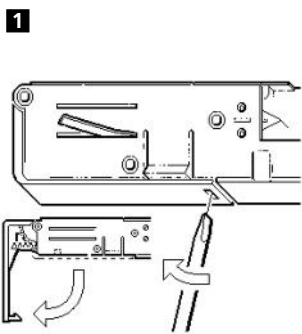
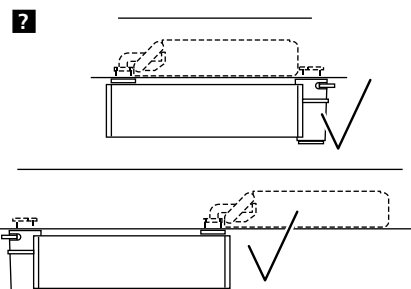


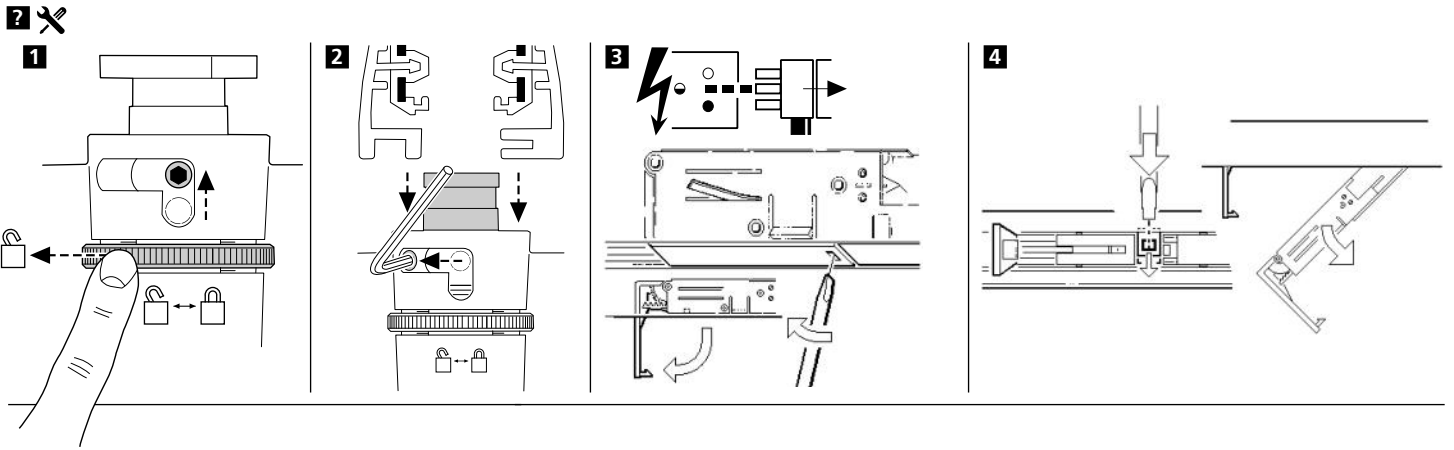
⚡ 230V = 3680W Max.
240V = 3840W Max.









**! THIS UNIT MUST NOT
BE INSTALLED IN
SWITCHED ONLY
INSTALLATIONS!**


**Circuit 'L3' (6A)
MUST BE
PERMANENTLY
'LIVE'**





Photometry

-  = 25 lm
-  = 875.4 cd/klm
-  = 2W
-  = 0.025x
-  = 0
-  = " 6000"

 D=10mm

