

# Trimline Emergency

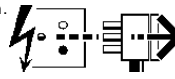
9986 D24 Prismatic Diffuser  
 9986 G24 Opal Diffuser  
 9992 E24 Exit Diffuser  
 9992 G24 Opal Diffuser



This Product  
**MUST be EARTHED**

# IS1131B

**Disconnect from mains supply before replacing the fuse or the lamp.**  
 Vor dem Einsetzen der Sicherung oder der Lampe Spannungsfreiheit herstellen.  
**Débrancher le secteur avant de remplacer le fusible ou l'ampoule.**  
 Desconectar del suministro de la red, antes de realizar la sustitución del fusible o de la lámpara.  
**Voor het vervangen van lamp of zekering, eerst netspanning uitschakelen.**  
 Koppla bort spänningen före byte av en säkring eller en lampa.



**Switch Off**  
 Abschalten  
**Débrancher**  
 Desconectar  
**Uitschakelen**  
 Stäng av

Check that the mains supply rating marked on the unit conforms with that of the supply.

These emergency units are designed to operate on a low voltage DC supply from a centralised system. They are supplied complete with lamps and are designed to fix to a flush mounted BS conduit box (50.8mm (2") centres), either wall or ceiling mounted.

Fixing holes for other types of mounting are also provided.

Detach the diffuser from the gallery by twisting a coin in the slot provided between the diffuser and the gallery.

Remove the lamp.

250mm diameter - Loosen the two screws retaining the module in the gallery and rotate the module anticlockwise until the 3 cut-outs on the edge of the module plate line up with the lugs on the lip of the gallery.

Rectangular - Remove the module from the gallery by unscrewing the single fixing screw and disengaging the module plate from the opposite end of the gallery.

Disconnect the flying leads from the module by separating the supply plug from the socket which is situated behind the module.

Pass the flying leads through the cable entry in the gallery and offer it to the mounting surface. Connect the leads to the supply using a suitable terminal block (Red - Positive and Black - Negative) and fix the gallery to the conduit box.

Offer the module to the gallery and insert the supply plug into the socket.

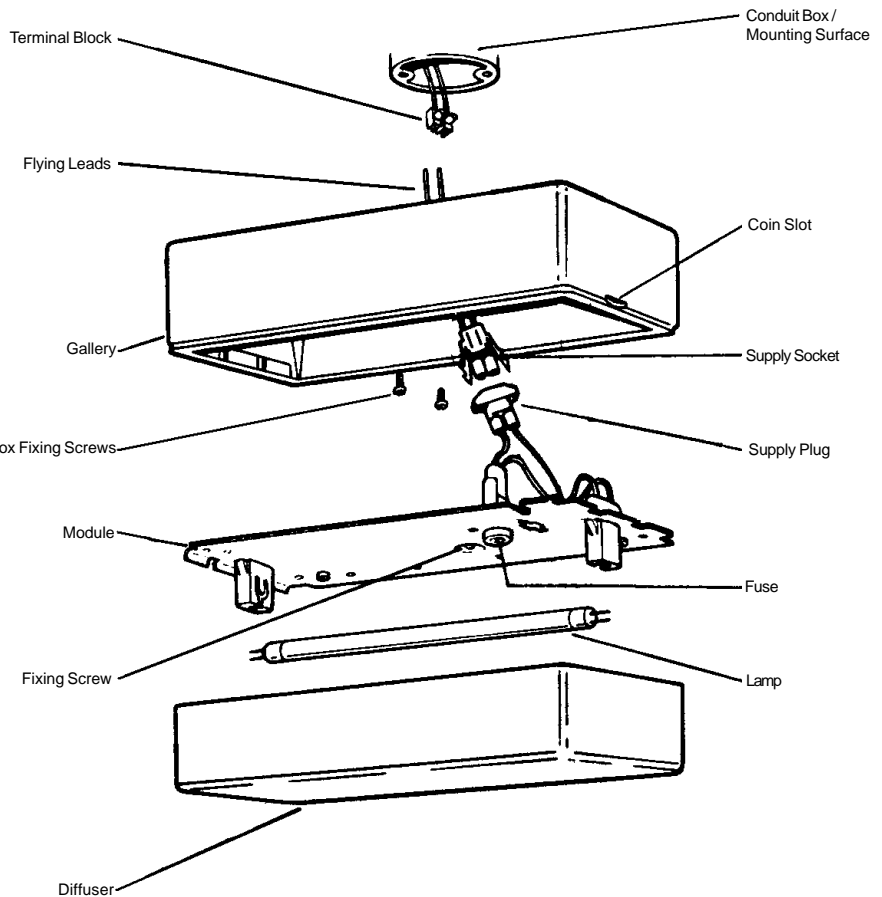
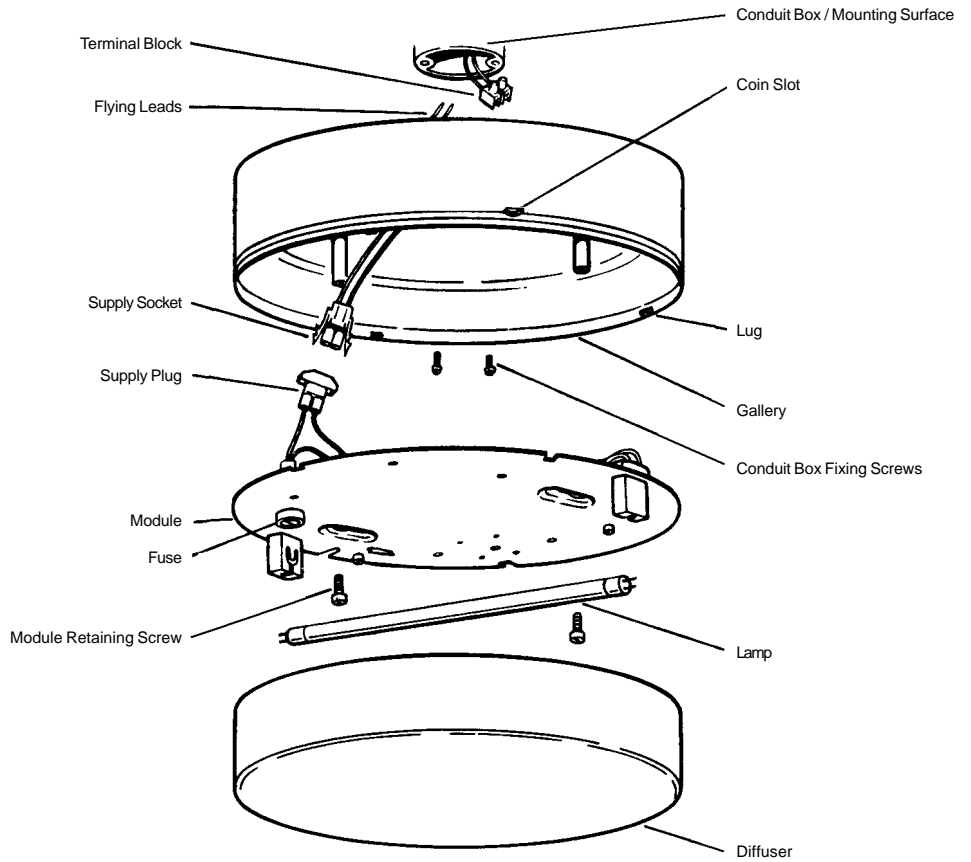
250mm Diameter - Locate the module over the gallery lugs and module retaining screws and rotate it clockwise until the retaining screws are fully engaged in the keyhole slots of the module plate. Tighten the screws to secure the module in position.

Rectangular - Locate the module in the gallery in the reverse procedure to that used to remove it and tighten the single fixing screw to secure it in position.

Replace the lamp and the diffuser.

Replacements:  
 Lamps - 6 Watts 230mm (9") Fluorescent tube (White)

In the event of any failure the module should be returned to the supplier for examination.



**Routine Maintenance**

Routine maintenance must be carried out in compliance with the requirements of BS5266:Part 1 - Emergency Lighting of Premises.

The following tests assume a three-hour system.

- Daily:**
1. Check that any recorded faults have been rectified.
  2. Check that the maintained emergency lamp is operative.
  3. Check that the charge indicator light is illuminated.
- Monthly:**  
(Functional)
1. Simulate a mains failure and check that the emergency lamp illuminates and remains on for several minutes.
  2. After reverting back to mains supply check the charge indicator light is illuminated.
- Six Monthly:**  
(1 Hour)
1. Simulate a mains failure and check that the emergency lamp illuminates and remains on for one hour.
  2. After reverting back to mains supply check the charge indicator light is illuminated.
  3. On restoring the mains supply the unit will require approximately 24 hours to recharge before becoming fully operational.
- Three Years:**  
(3 Hours)
1. Simulate a mains failure and check that the emergency lamp illuminates and remains on for at least 3 hours.
  2. After reverting back to mains supply check the charge indicator light is illuminated.
  3. On restoring the mains supply the unit will require approximately 24 hours to recharge before becoming fully operational.

It is recommended that the battery packs and lamps are replaced every 4 years or sooner if the units performance fails to meet the above requirements. To maintain optimum unit performance, only approved replacement battery packs and lamps must be used.

All routine maintenance checks must be recorded on the unit Routine Test Record and must be made available for inspection at all times.

**Installation and Commissioning Record**

Luminaire Model Ref: \_\_\_\_\_ Location: \_\_\_\_\_  
 Installed By: \_\_\_\_\_ Date: \_\_\_\_\_  
 Commissioned by: \_\_\_\_\_ Date: \_\_\_\_\_  
 (Full Charge and Discharge Cycle)

**Routine Test Record**

Monthly Test	First Year		Second Year		Third Year		Forth Year		Fifth Year	
	Signed	Dated	Signed	Dated	Signed	Dated	Signed	Dated	Signed	Dated
Functional										
Functional										
Functional										
Functional										
Functional										
1 Hour Duration										
Functional										
Functional										
Functional										
Functional										
Functional										
1 Hour Duration										
3 Hour Duration										

**Suitable for use indoors**

Geeignet für Innenanwendung  
 Pour un usage interne  
 Adecuada para uso en interiores  
 Geschikt voor gebruik binnen  
 Lämpig för inomhusbruk



- Replace any cracked protective shield.**  
 Dieses symbol bedeutet, dass defekte schutzgläser sofort ersetzt werden müssen.  
**Ce symbol indique que vous devez remplacer tout verre de protection fêlé.**  
 Este simbolo indica que hay que 'reemplazar filtros en caso de rotura o desperfectos'.  
**Dette symbolet indikerer at alle ødelagte (sprukne) sikkerhetsglass må skiftes.**  
 Valaisinta el saa käyttää ilman suojalasia vioittunut suojalasi on vaihdettava uuteen ennen valaisimen käyttöön ottoa.

< Millimetres >



This Electrical Product  
 MUST be recycled.



11.08