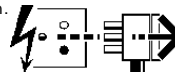


1028 GB6
1029 GB6
1018 GB6

Disconnect from mains supply before replacing the fuse or the lamp.
Vor dem Einsetzen der Sicherung oder der Lampe Spannungsfreiheit herstellen.
Débrancher le secteur avant de remplacer le fusible ou l'ampoule.
Desconectar del suministro de la red, antes de realizar la sustitución del fusible o de la lámpara.
Voor het vervangen van lamp of zekering, eerst netspanning uitschakelen.
Koppla bort spänningen före byte av en säkring eller en lampa.



Switch Off
Abschalten
Débrancher
Desconectar
Uitschakelen
Stäng av

Switch off the mains electrical supply.

Remove the diffuser by twisting a coin in the slot provided between the gallery and diffuser. Slacken the gear tray retaining screws and remove the gear tray from the gallery assembly.

Connect the loose high temperature flying leads to the mains supply leads using a suitable terminal block (Brown – live, blue – neutral and green/yellow – earth). **WARNING – These leads must not be replaced or normal low temperature mains wiring brought within the fitting.**

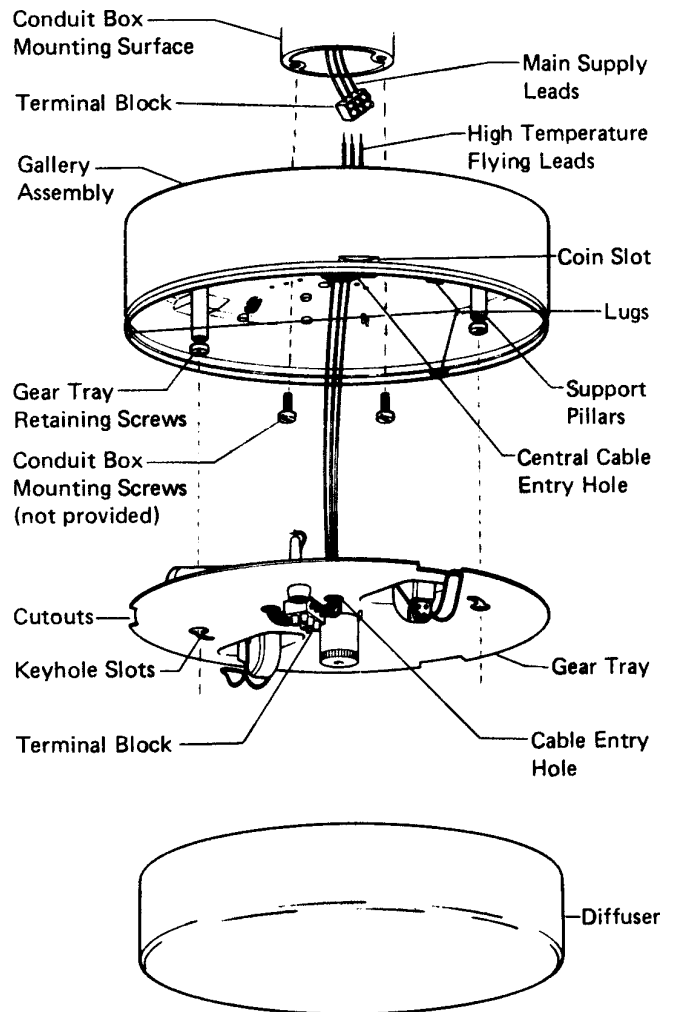
Offer the gallery assembly to the conduit box/mounting surface and pass the flying leads through the central cable entry hole. Fix the gallery assembly to the conduit box/mounting surface using M4 machine screws or No 10 woodscrews respectively.

Offer the gear tray to the gallery assembly and pass the flying lead through the cable entry hole adjacent to the terminal block. Align the three cutouts, situated around the periphery of the gear tray, with the lugs on the gallery. Locate the keyhole slots in the gear tray over the gear tray retaining screws, which are located in the ends of the pillars on the gallery assembly. Ensure the screws are located at the ends of the keyhole slots then tighten the screws to secure the gear tray to the gallery.

Connect the flying leads to the terminal block on the gear tray. (Brown – live, blue – neutral and green/yellow – earth).

Fit the appropriate circular fluorescent lamp to the gear tray. (1028 GB6 – 22w or 1029 GB6 – 32w).

Fit the diffuser by pressing it firmly onto the gallery assembly.



Replace any cracked protective shield.

Dieses symbol bedeutet, dass defekte Schutzgläser sofort ersetzt werden müssen.

Ce symbol indique que vous devez remplacer tout verre de protection fêlé.

Este simbolo indica que hay que 'reemplazar filtros en caso de rotura o desperfectos'.

Dette symbolet indikerer at alle ødelagte (sprukne) sikkerhetglass må skiftes.

Valaisinta el saa käyttää ilman suojalasia vioitunut suojalasi on vaihdettava uuteen ennen valaisimen käyttöön ottoa.

Suitable for use indoors
Geeignet für Innenanwendung
Pour un usage interne
Adecuada para uso en interiores
Geschikt voor gebruik binnen
Lämplig för inomhusbruk



This Electrical Product
MUST be recycled.



< Millimetres >