

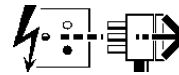
# Minigroove Drum

4025886  
4034137  
4140965  
4143610  
4164330

Installation Instructions  This Product **MUST** be EARTHED

## IS1137

**Disconnect from mains supply before replacing the fuse or the lamp.**  
Vor dem Einsetzen der Sicherung oder der Lampe Spannungsfreiheit herstellen.  
**Débrancher le secteur avant de remplacer le fusible ou l'ampoule.**  
Desconectar del suministro de la red, antes de realizar la sustitución del fusible o de la lámpara.  
**Voor het vervangen van lamp of zekering, eerst netspanning uitschakelen.**  
Koppla bort spänningen före byte av en säkring eller en lampa.



**Switch Off**  
Abschalten  
**Débrancher**  
Desconectar  
**Uitschakelen**  
Stäng av

This luminaire is designed for interior ceiling mounting, and may be conduit box mounted or mounted directly to the mounting surface.

Installation should be carried out by a suitably qualified person in accordance with good electrical practise and the appropriate national wiring regulations.

Switch off mains electrical supply before commencing installation.

### Installation Procedure

Switch off the mains electrical supply.

Release the three drum retaining screws and separate the lampholder assembly from the drum assembly.

Offer the lampholder assembly to the mounting surface and connect the leads to the mains electrical supply leads using a suitable terminal block.  
Brown (Live)  
Blue (Neutral)  
Green/Yellow (Earth)

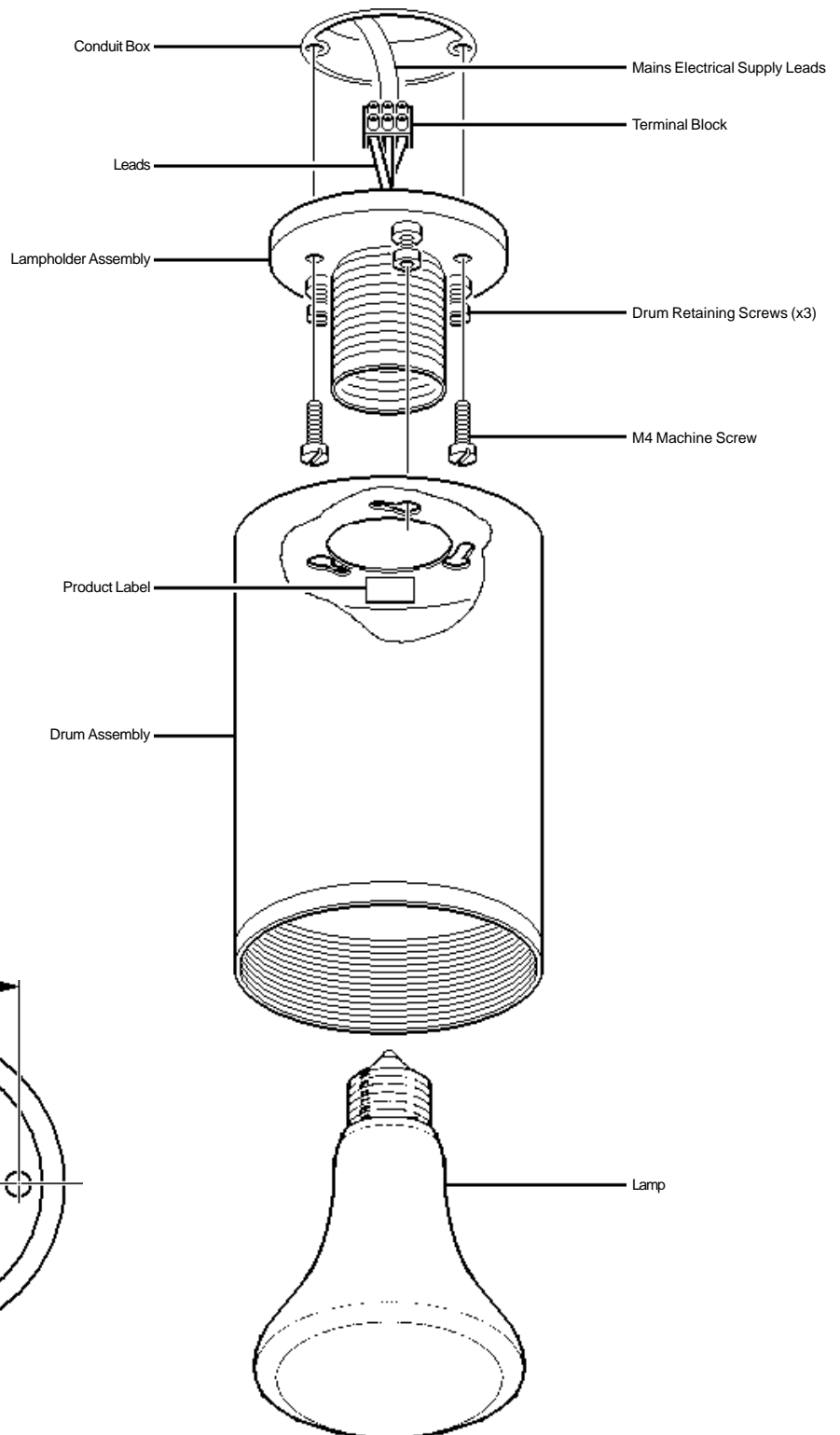
Fix the lampholder assembly to a 50.8mm (2") centres conduit box, set flush in the mounting surface, using M4 machine screws.

Offer the drum assembly to the lampholder assembly and locate the drum retaining screws on the lampholder assembly in the keyhole slots in the top of the drum.  
Tighten the retaining screws to secure the drum into position.

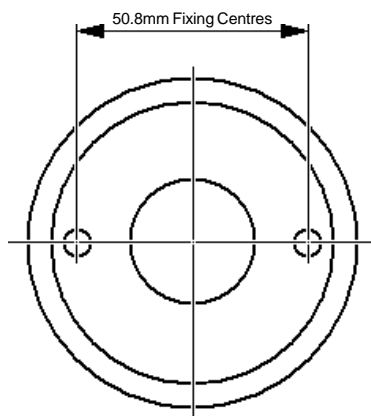
Fit the appropriate lamp as indicated on the product label inside the drum.

**NOTE:** This luminaire should be cleaned using warm soapy water and a soft cloth. Ensure that the mains electrical supply is switched off during cleaning.

Dispose of lamps in accordance with manufacturers instructions.



Base Plate Detail



**Suitable for use indoors**  
Geeignet für Innenanwendung  
**Pour un usage interne**  
Adecuada para uso en interiores  
**Geschikt voor gebruik binnen**  
Lämplig för inomhusbruk



**Replace any cracked protective shield.**

Dieses symbol bedeutet, dass defekte Schutzgläser sofort ersetzt werden müssen.

**Ce symbol indique que vous devez remplacer tout verre de protection fêlé.**

Este símbolo indica que hay que reemplazar filtros en caso de rotura o desperfectos.



**Dette symbolet indikerer at alle ødelagte (sprukne) sikkerhetglass må skiftes.**

Valaisintä ei saa käyttää ilman suojalasia vioitunut suojalasi on vaihdettava uuteen ennen valaisimen käyttöön ottoa.

< Millimetres >



This Electrical Product **MUST** be recycled.



05.08

# Concord

Avis Way Newhaven East Sussex BN9 0ED  
T 0870 606 2030 F 01273 512 688 email: information@concordmarlin.com

