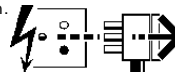
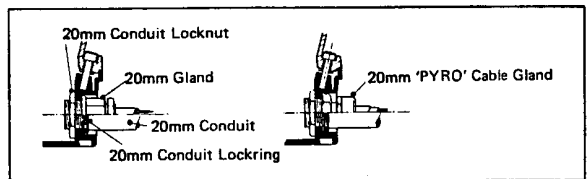
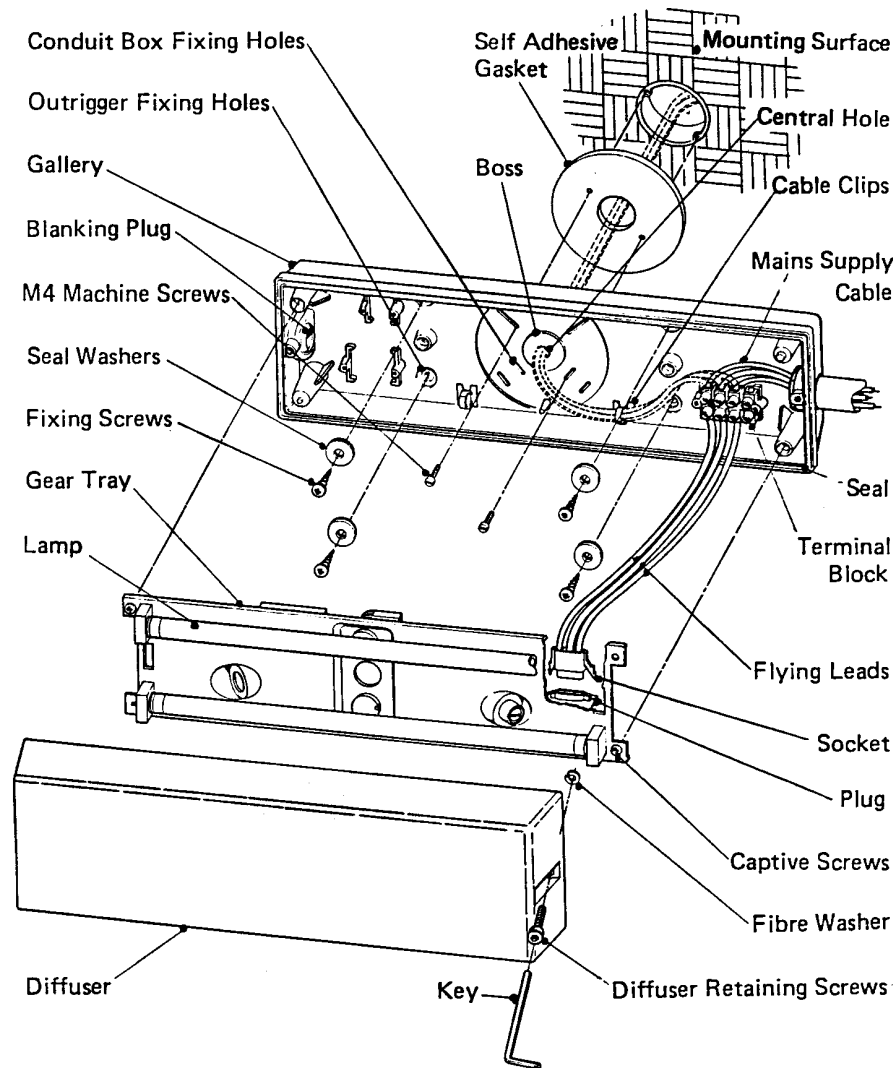


1092 B5/B6/E6/EA6/EF6

Disconnect from mains supply before replacing the fuse or the lamp.
Vor dem Einsetzen der Sicherung oder der Lampe Spannungsfreiheit herstellen.
Débrancher le secteur avant de remplacer le fusible ou l'ampoule.
Desconectar del suministro de la red, antes de realizar la sustitución del fusible o de la lámpara.
Voor het vervangen van lamp of zekering, eerst netspanning uitschakelen.
Koppla bort spänningen före byte av en säkring eller en lampa.



Switch Off
Abschalten
Débrancher
Desconectar
Uitschakelen
Stäng av



These luminaires are suitable for exterior use within an ambient temperature range of 0–40°C and in exposed weather situations (BS 5490-IP 55).

Check that the rating marked on the luminaire conforms with the mains electrical supply. Switch off the mains electrical supply.

Unscrew the diffuser retaining screws, using the 4mm A/F hexagon socket key provided, and remove the diffuser from the gallery.

Unscrew the captive gear tray retaining screws and remove the gear tray from the gallery.

Drill out the appropriate conduit box and/or vandal resistant outrigger fixing holes in the gallery. To allow for alignment of the gallery when mounted, the conduit box fixing holes should be 5mm diameter and elongated but the outrigger fixing holes should be 13mm diameter.

Depending on the cable entry location to be used, drill out the boss in the centre of the gallery or push out the blanking plug adjacent to the terminal block. For through wiring push out the other blanking plug also.

For conduit box mounting, stick the self adhesive gasket to the raised pad on the back of the gallery. Offer the gallery to the conduit box and pass the mains supply cable through the central hole. Fix the gallery to the conduit box using M4 machine screws. For vandal resistance the gallery should also be fixed to the mounting surface by suitable screws, passing through the outrigger fixing holes, with seal washers, which are supplied loose, located under their heads such that the sealing face is in contact with the gallery.

For mounting in association with surface cable or conduit, offer the gallery to the mounting surface and pass the cable through the blanking plug hole adjacent to the terminal block. Fix the gallery to the mounting surface using the outrigger fixings as described above for vandal resistant conduit box mounting. Assemble the appropriate conduit, pyro or cable gland components to the gallery (see inset illustration), ensuring that a sealed joint is achieved. Connect the mains supply wires to the terminal block, red - live (L), black - neutral (N) and green - earth (≡). Through wiring should be located in and held by the cable clips, which are located along the inside of the gallery.

Disconnect the socket from the plug attached to the gear tray and connect the flying leads to the terminal block, brown - live (L), blue - neutral (N) and green/yellow - earth (≡).

Offer the gear tray to the gallery and reconnect the socket to the plug. Locate the gear tray on its mounting bosses, noting that it can only be located one way round, and tighten the captive retaining screws to fix it in position.

Locate the diffuser on the gallery, ensuring that its edge engages the seal in the edge of the gallery, and tighten the retaining screws to fix it in position.

Suitable for use indoors
Geeignet für Innenanwendung
Pour un usage interne
Adecuada para uso en interiores
Geschikt voor gebruik binnen
Lämplig för inomhusbruk



This Electrical Product
MUST be recycled.



< Millimetres >

Concord:marlin

Avis Way Newhaven East Sussex BN9 0ED
T 0870 606 2030 F 01273 512 688 email: information@concordmarlin.com



© Concord Lighting Ltd.