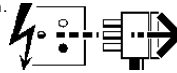


4135614 4140889 4148539 4148546 4032938  
4032861 4032939 4032976 4033010 4033025  
4056575 4109508 4109509 4109554 4109555  
4109567 4109568 4135612 4140950 4148537  
4148538

**Disconnect from mains supply before replacing the fuse or the lamp.**  
Vor dem Einsetzen der Sicherung oder der Lampe Spannungsfreiheit herstellen.  
**Débrancher le secteur avant de remplacer le fusible ou l'ampoule.**  
Desconectar del suministro de la red, antes de realizar la sustitución del fusible o de la lámpara.  
**Voor het vervangen van lamp of zekering, eerst netspanning uitschakelen.**  
Koppla bort spänningen före byte av en säkring eller en lampa.



**Switch Off**  
Abschalten  
**Débrancher**  
Desconectar  
**Uitschakelen**  
Stäng av

This luminaire is suitable for interior wall or ceiling installation to a flush mounted conduit box having 50.8mm fixing centres or directly to a mounting surface.

This luminaire is suitable for protected exterior mounting when installed in conjunction with a 'Conduit Box Sealing Kit'.

Installation should be carried out by a suitably qualified person in accordance with good electrical practise and the appropriate national wiring regulations.

Switch off mains electrical supply before commencing installation.

**Installation Procedure**

Remove diffuser (E) from gallery (H) by twisting a coin in slot (A).

Check that the rating marked on the label (D) conforms to mains electrical supply.

Loosen gear tray fixing screws (J) and remove gear tray (C) from gallery (H).

Remove flying leads (B) from fused terminal block (F) and connect them to the mains electrical supply using a suitable terminal block.

Clear appropriate fixing holes in gallery (H).  
NOTE: If wall mounting, gallery (H) should be installed to allow loops of the lamp to be at the TOP.

Pass mains supply flying leads (B) through central hole in gallery (H) and secure gallery to conduit box using suitable M4 screws. For exterior mounting, refer to the instruction sheet supplied with Conduit Box Sealing Kit.

Connect flying leads to their respectively marked terminals in fused terminal block (F).

Locate gear tray (C) over fixing screws (J) and tighten screws.

NOTE: If difficulty is experienced in locating gear tray, rotate gear tray through 180 degrees.

Fit appropriate lamp as indicated on label (D).

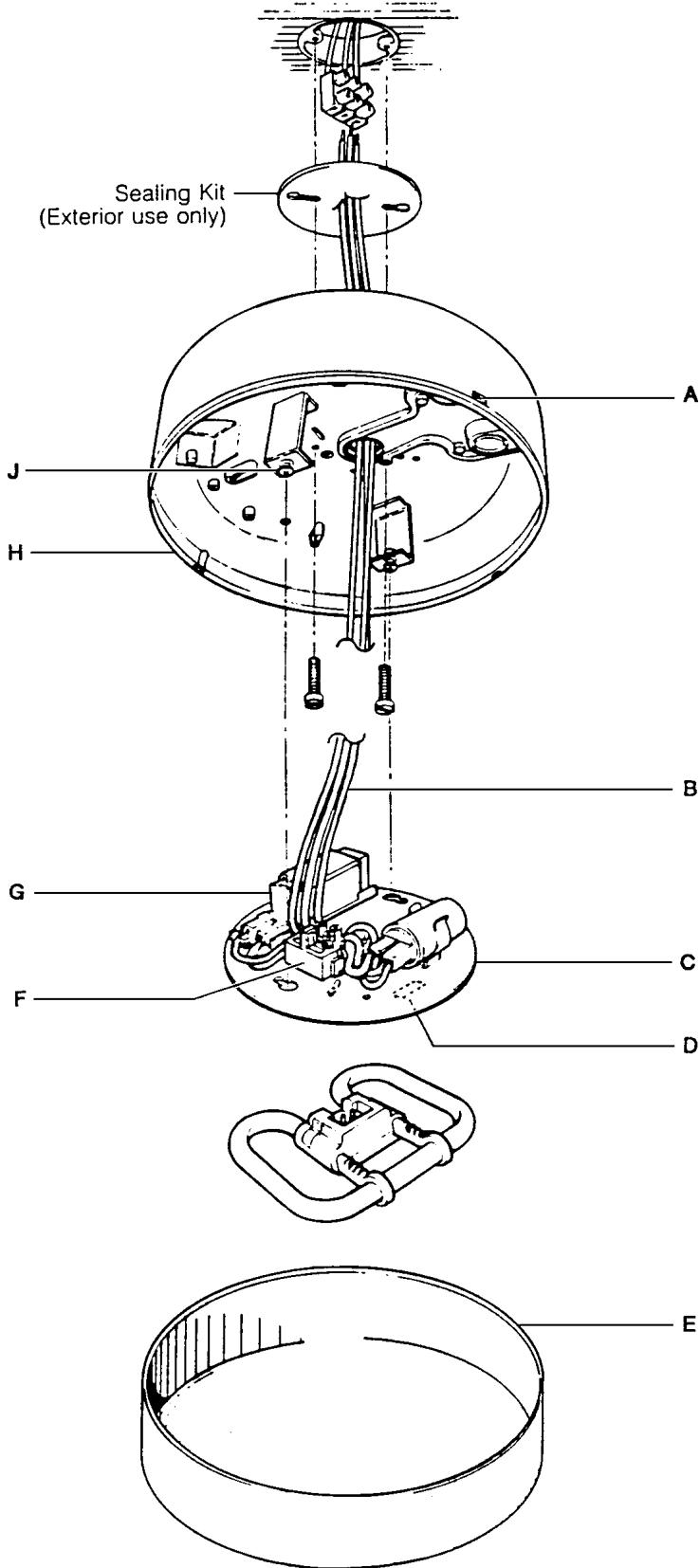
Fit diffuser (E) by pressing it firmly on gallery (H).

NOTE: In the absence of a conduit box, PVC supply leads can be terminated within gallery, provided precautions are taken to protect leads and terminations from ballast (G) which has a high operating temperature. Use silicone sleeving over supply leads and fit a suitable high temperature terminal block on mounting pegs adjacent to L, N and E markings in gallery.

WARNING: This luminaire must be Earthed.

NOTE: This luminaire should be cleaned using warm soapy water and a soft cloth. Ensure luminaire is switched off during cleaning.

Dispose of lamps in accordance with manufacturers instructions.



**Suitable for use indoors**

Geeignet für Innenanwendung

Pour un usage interne

Adecuada para uso en interiores

Geschikt voor gebruik binnen

Lämplig för inomhusbruk



**Replace any cracked protective shield.**

Dieses symbol bedeutet, dass defekte Schutzgläser sofort ersetzt werden müssen.

**Ce symbole indique que vous devez remplacer tout verre de protection fêlé.**

Este símbolo indica que hay que reemplazar filtros en caso de rotura o desperfectos.

**Dette symbolet indikerer at alle ødelagte (sprukne) sikkerhetglass må skiftes.**

Valaisinta ei saa käyttää ilman suojalasiasa vioittunut suojalasi on vaihdettava uuteen ennen valaisimen käyttöön ottoa.

< Millimetres >



This Electrical Product  
MUST be recycled.



05.08