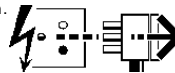


4065455 4065457 4065459 4065461  
4065463 4065465 4065467 4065469  
4065471 4065473 4065451 4065453



4065456 4065458 4065460 4065462  
4065464 4065466 4065468 4065470  
4065472 4065474 4065452 4065454

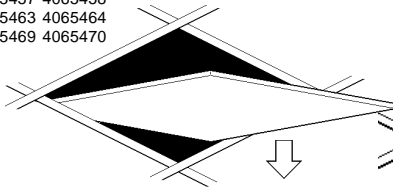
**Disconnect from mains supply before replacing the fuse or the lamp.**  
Vor dem Einsetzen der Sicherung oder der Lampe Spannungsfreiheit herstellen.  
**Débrancher le secteur avant de remplacer le fusible ou l'ampoule.**  
Desconectar del suministro de la red, antes de realizar la sustitución del fusible o de la lámpara.  
**Voor het vervangen van lamp of zekering, eerst netspanning uitschakelen.**  
Koppla bort spänningen före byte av en säkring eller en lampa.



**Switch Off**  
Abschalten  
**Débrancher**  
Desconectar  
Uitschakelen  
Stäng av

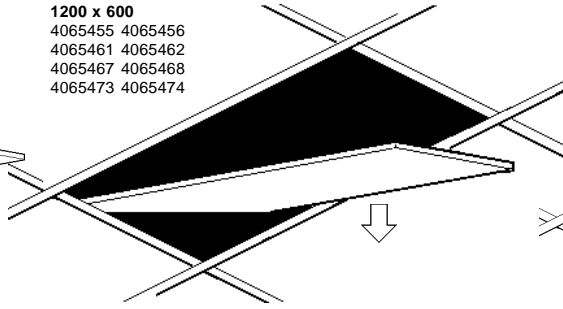
**600 x 600**

4065451 4065452  
4065457 4065458  
4065463 4065464  
4065469 4065470



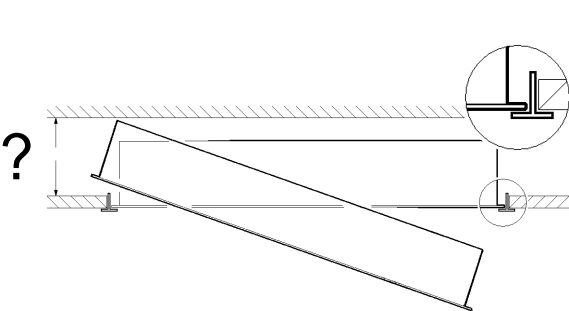
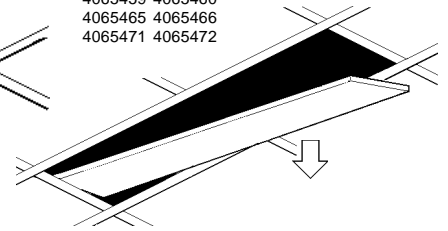
**1200 x 600**

4065455 4065456  
4065461 4065462  
4065467 4065468  
4065473 4065474



**1200 x 300**

4065453 4065454  
4065459 4065460  
4065465 4065466  
4065471 4065472



**1**

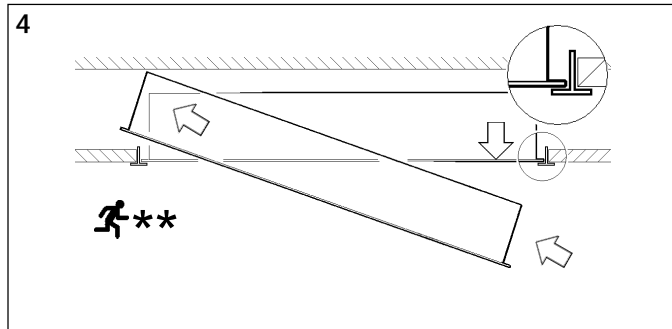
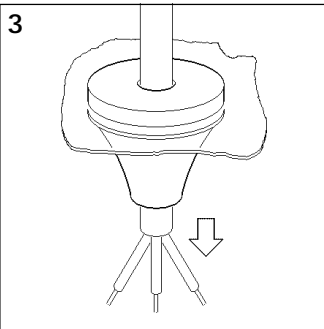
4065455 4065457 4065459 4065461  
4065463 4065465 4065467 4065469  
4065471 4065473 4065451 4065453

⚡ 230-240V~  
3 x 1.0mm<sup>2</sup> Min

**2**

4065456 4065458 4065460 4065462  
4065464 4065466 4065468 4065470  
4065472 4065474 4065452 4065454

⚡ 230-240V~  
4 x 1.0mm<sup>2</sup> Min



**5**

4065455 4065457 4065459 4065461  
4065463 4065465 4065467 4065469  
4065471 4065473 4065451 4065453

**5**

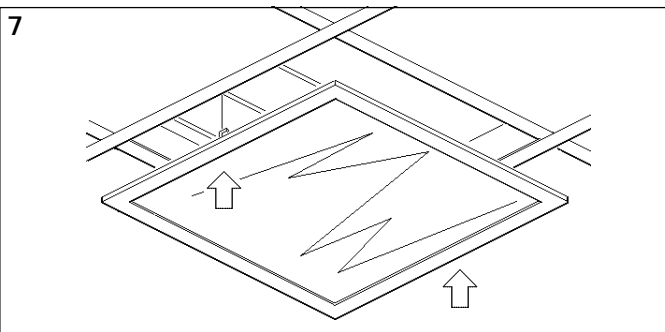
4065456 4065458 4065460 4065462  
4065464 4065466 4065468 4065470  
4065472 4065474 4065452 4065454

**6**

4065463 4065469 4065451 4065457  
**4 x 14 or 24W T5 Luxline FHE**  
4065464 4065470 4065452 4065458  
**4 x 14W T5 Luxline FHE**  
4065465 4065471 4065453 4065459  
**2 x 28W or 54W T5 Luxline FHO**  
4065466 4065472 4065454 4065460  
**2 x 28W T5 Luxline FHO**  
4065467 4065473 4065455 4065461  
**4 x 28W or 54W T5 Luxline FHO**  
4065468 4065474 4065456 4065462  
**4 x 28W T5 Luxline FHO**

**!**

**Concord:marlin**  
**4.8V 4Ah**  
**Part No: 0633-0039**  
(Comprises 2+2 Rechargeable Ni-Cd Cells)  
Red Lead = POS  
Black Lead = NEG  
Do Not Reverse Polarity. Short Circuit or Incinerate. If Electrolyte Touches Skin or Eyes, Flush with Water.  
DATE CODE: 48-05  
SERIAL NO: 8823  
Max Cell Case Temp 50 Deg C  
Replace Battery After 4 Years from Date Shown or when Product Fails to give the Specified Performance.  
DATE OF INSTALLATION



**IP65/54**  
4065463 4065464 4065465 4065466 4065467 4065468  
4065469 4065470 4065471 4065472 4065473 4065474

**IP54/20**  
4065451 4065452 4065453 4065454 4065455 4065456  
4065457 4065458 4065459 4065460 4065461 4065462

**Routine Maintenance**

Routine maintenance must be carried out in compliance with the requirements of BS5266:Part 1 - Emergency Lighting of Premises.

The following tests assume a three-hour system.

- Daily:**
1. Check that any recorded faults have been rectified.
  2. Check that the maintained emergency lamp is operative.
  3. Check that the charge indicator light is illuminated.
- Monthly:**  
(Functional)
1. Simulate a mains failure and check that the emergency lamp illuminates and remains on for several minutes.
  2. After reverting back to mains supply check the charge indicator light is illuminated.
- Six Monthly:**  
(1 Hour)
1. Simulate a mains failure and check that the emergency lamp illuminates and remains on for one hour.
  2. After reverting back to mains supply check the charge indicator light is illuminated.
  3. On restoring the mains supply the unit will require approximately 24 hours to recharge before becoming fully operational.
- Three Years:**  
(3 Hours)
1. Simulate a mains failure and check that the emergency lamp illuminates and remains on for at least 3 hours.
  2. After reverting back to mains supply check the charge indicator light is illuminated.
  3. On restoring the mains supply the unit will require approximately 24 hours to recharge before becoming fully operational.

It is recommended that the battery packs and lamps are replaced every 4 years or sooner if the units performance fails to meet the above requirements. To maintain optimum unit performance, only approved replacement battery packs and lamps must be used.

All routine maintenance checks must be recorded on the unit Routine Test Record and must be made available for inspection at all times.

**Installation and Commissioning Record**

.....

Luminaire Model Ref: Location:

.....

Installed By: Date:

.....

Commissioned by: Date:

(Full Charge and Discharge Cycle)


.....

**Routine Test Record**

Monthly Test	First Year		Second Year		Third Year		Forth Year		Fifth Year	
	Signed	Dated	Signed	Dated	Signed	Dated	Signed	Dated	Signed	Dated
Functional										
Functional										
Functional										
Functional										
Functional										
1 Hour Duration										
Functional										
Functional										
Functional										
Functional										
Functional										
1 Hour Duration										
3 Hour Duration										

**Suitable for use indoors**  
 Geeignet für Innenanwendung  
**Pour un usage interne**  
 Adecuada para uso en interiores  
**Geschikt voor gebruik binnen**  
 Lämpig för inomhusbruk



 **Replace any cracked protective shield.**  
 Dieses symbol bedeutet, dass defekte Schutzgläser sofort ersetzt werden müssen.  
**Ce symbol indique que vous devez remplacer tout verre de protection fêlé.**  
 Este simbolo indica que hay que reemplazar filtros en caso de rotura o desperfectos.  
**Dette symbolet indikerer at alle ødelagte (sprukne) sikkerhetsglass må skiftes.**  
 Valaisinta el saa käyttää ilman suojalasia vioittunut suojalasi on vaihdettava uuteen ennen valaisimen käyttöön ottoa.

< Millimetres >  This Electrical Product **MUST** be recycled. 



Avis Way Newhaven East Sussex BN9 0ED  
 T 0870 606 2030 F 01273 512 688 email: information@concordmarlin.com

