

# Opaline 450

4038139 4038141 4062825  
4059895 4059903 4062826



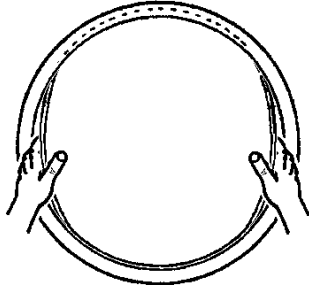
This Product  
MUST be EARTHED

# IS1178A

Removing/Fitting Diffuser

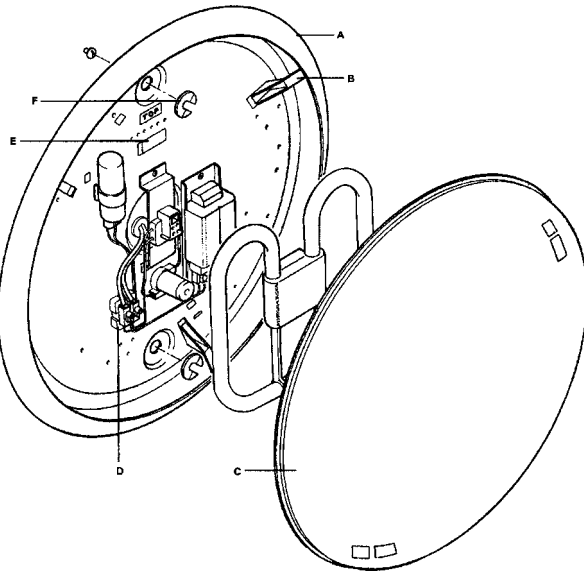


Push to side and lever out.



1. Flex in 2. Insert under trim and centralise.

4038139 4038141 4062825



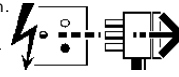
### Installation Procedure

Remove diffuser as indicated above.  
Check that the rating marked on the label (E) conforms with the mains supply.  
Prepare suitable fixings in the mounting surface at 310mm centres for outrigger fixing holes.  
NOTE: For wall mounted applications, the gallery is marked 'TOP'.  
Fit grommets in gallery.  
Pass mains supply cable, through grommets, locate gallery mounting holes (A) over fixing screws, insert slip washers (F) under screw heads and tighten screws.  
Cover mains supply leads with supplied silicone sleeving (F) and connect leads in respectively marked terminals in terminal block (G).  
Fit appropriate lamp as indicated on label (E) by pushing it firmly into lampholder (H)  
Fit diffuser (C) as shown above.

NOTE: To clean luminaire, use warm soapy water and a soft cloth, taking care not to dislodge components.  
Ensure luminaire is switched off during cleaning.

Dispose of lamps in accordance with manufacturer's instructions.

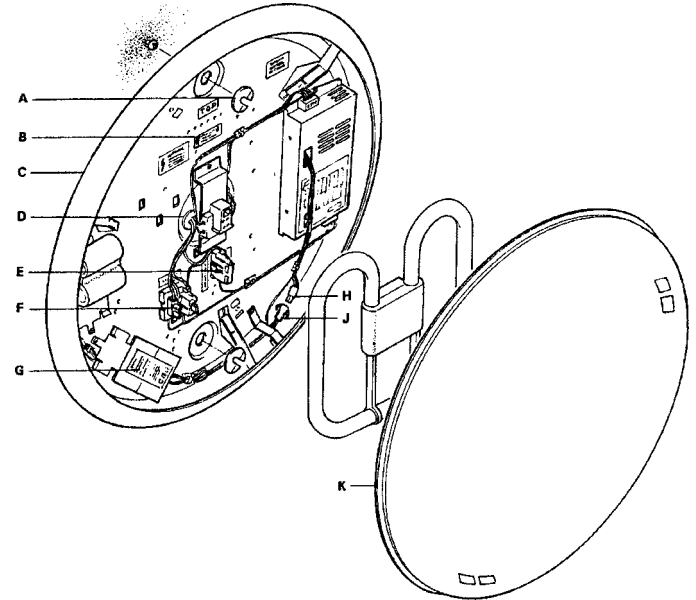
**Disconnect from mains supply before replacing the fuse or the lamp.**  
Vor dem Einsetzen der Sicherung oder der Lampe Spannungsfreiheit herstellen.  
**Débrancher le secteur avant de remplacer le fusible ou l'ampoule.**  
Desconectar del suministro de la red, antes de realizar la sustitución del fusible o de la lámpara.  
**Voor het vervangen van lamp of zekering, eerst netspanning uitschakelen.**  
Koppla bort spänningen före byte av en säkring eller en lampa.



**Switch Off**  
Abschalten  
**Débrancher**  
Desconectar  
**Uitschakelen**  
Stäng av

These luminaires are suitable for indoor ceiling or wall mounting.  
Installation should be carried out by a suitably qualified person in accordance with good electrical practice and the appropriate national wiring regulations.  
Switch off mains supply before commencing installation.

4059895 4059903 4062826



### Installation Procedure

This luminaire is suitable for interior wall or ceiling mounting and is designed for maintained emergency operation with a duration of 3 hours.

Remove diffuser (K) as indicated above.  
Check that the rating marked on the label (B) conforms with the mains supply.  
Prepare suitable fixings in the mounting surface at 310mm centres for 450 for outrigger fixing holes.  
NOTE: For wall mounted applications, the gallery (C) is marked 'TOP'.  
Fit grommets (D) in gallery (C).  
Pass mains supply leads and unswitched supply leads through grommet/s and secure gallery (C) to the mounting surface using suitable fixing screws.  
Cover leads with supplied silicone sleeving and connect leads to respectively marked terminals in the terminal blocks (E) and (F).  
Enter connection date on the battery label (J).  
Connect the battery plug (J) and socket (H).  
Fit appropriate lamp as indicated on label (B) by pushing it firmly into lampholder.  
Fit diffuser as shown above ensuring it is held concentrically by the retaining clips.  
NOTE: Luminaire is protected by 3A fuse (F) and a 1A fuse (E).

### Testing

Switch on the mains supply and check that the charge indicator (H) is on. Leave luminaire on continuous charge for 24 hours.  
Simulate mains failure, and check that the lamp operates for 3 hours. If full duration of 3 hours is not achieved, repeat charge/discharge cycle as battery packs may have discharged in stock and will require conditioning.

### WARNING

Luminaire must be earthed.  
DO NOT INSULATION TEST  
Do not modify luminaire.

WARNING: Do not switch off luminaire after installation, as unswitched supply must be maintained.  
If interruption to the supply is unavoidable, the batteries must be disconnected or damage may occur.

NOTE: To clean luminaire, use warm soapy water and a soft cloth, taking care not to dislodge components.  
Ensure luminaire is switched off during cleaning.

Dispose of lamps in accordance with manufacturer's instructions.

**IMPORTANT**

The Mains supply, battery plug and socket or battery connection, must be disconnected before handling the circuit.

**WARNING:** Do not switch off the luminaire after installation. UNSWITCHED supply must be maintained. If interruption to the supply is unavoidable, the batteries must be disconnected or damage may result.

The charge indicator (LED) must be connected correctly, and when mounted is clearly visible when the luminaire is installed.

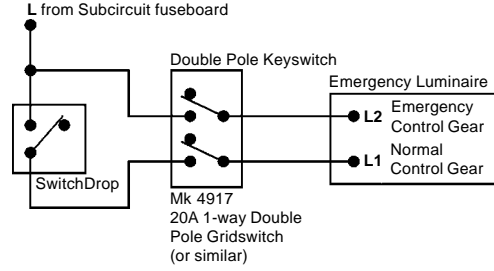
The Module incorporates a low voltage battery cut-off. This will automatically disconnect the battery pack from the inverter circuit, when the average voltage is less than approximately 1 volt per cell. To initiate the battery discharge, connect and then disconnect the mains supply.

A MEGGER OR ANY SIMILAR HIGH VOLTAGE INSULATION TEST INSTRUMENT MUST NOT BE USED ON THIS UNIT.

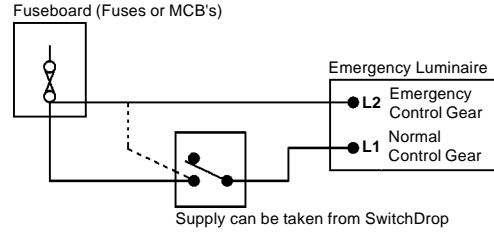
**TEST CIRCUITS**

It is important that only the circuits shown below are used when connecting an emergency luminaire and its associate remote auxiliary power module for emergency control gear testing.

**KEYSWITCH TESTING**



**FUSEBOARD TESTING**



**CIRCUIT DIAGRAMS AND CONNECTIONS**

If normal lighting circuit is a maintained system, it should normally be to a switched supply.

The emergency lighting circuit must be connected to an UNSWITCHED line.

- a. So as to not discharge the batteries during switch off.
- b. To ensure continuous battery charging.

**Routine Maintenance**

Routine maintenance must be carried out in compliance with the requirements of BS5266:Part 1 - Emergency Lighting of Premises.

The following tests assume a three-hour system.

- Daily:**
1. Check that any recorded faults have been rectified.
  2. Check that the maintained emergency lamp is operative.
  3. Check that the charge indicator light is illuminated.
- Monthly: (Functional)**
1. Simulate a mains failure and check that the emergency lamp illuminates and remains on for several minutes.
  2. After reverting back to mains supply check the charge indicator light is illuminated.
- Six Monthly: (1 Hour)**
1. Simulate a mains failure and check that the emergency lamp illuminates and remains on for one hour.
  2. After reverting back to mains supply check the charge indicator light is illuminated.
  3. On restoring the mains supply the unit will require approximately 24 hours to recharge before becoming fully operational.
- Three Years: (3 Hours)**
1. Simulate a mains failure and check that the emergency lamp illuminates and remains on for at least 3 hours.
  2. After reverting back to mains supply check the charge indicator light is illuminated.
  3. On restoring the mains supply the unit will require approximately 24 hours to recharge before becoming fully operational.

It is recommended that the battery packs and lamps are replaced every 4 years or sooner if the units performance fails to meet the above requirements. To maintain optimum unit performance, only approved replacement battery packs and lamps must be used.

All routine maintenance checks must be recorded on the unit Routine Test Record and must be made available for inspection at all times.

**Installation and Commissioning Record**

.....

Luminaire Model Ref: \_\_\_\_\_ Location: \_\_\_\_\_

Installed By: \_\_\_\_\_ Date: \_\_\_\_\_

Commissioned by: \_\_\_\_\_ Date: \_\_\_\_\_

(Full Charge and Discharge Cycle) .....

**Routine Test Record**

Monthly Test	First Year		Second Year		Third Year		Forth Year		Fifth Year	
	Signed	Dated	Signed	Dated	Signed	Dated	Signed	Dated	Signed	Dated
Functional										
Functional										
Functional										
Functional										
Functional										
1 Hour Duration										
Functional										
Functional										
Functional										
Functional										
Functional										
1 Hour Duration										
3 Hour Duration										

**Suitable for use indoors**

Geeignet für Innenanwendung

Pour un usage interne

Adecuada para uso en interiores

Geschikt voor gebruik binnen

Lämplig för inomhusbruk



**Replace any cracked protective shield.**

Dieses symbol bedeutet, dass defekte schutzgläser sofort ersetzt werden müssen.

**Ce symbol indique que vous devez remplacer tout verre de protection fêlé.**

Este simbolo indica que hay que 'reemplazar filtros en caso de rotura o desperfectos'.

**Dette symbolet indikerer at alle ødelagte (sprukne) sikkerhetglass må skiftes.**

Valaisinta el saa käyttää ilman suojalasia vioitunut suojalasi on vaihdettava uuteen ennen valaisimen käyttöön ottoa.



< Millimetres >



This Electrical Product MUST be recycled.



01.08

**Concord**

Avis Way Newhaven East Sussex BN9 0ED  
T 0870 606 2030 F 01273 512 688 email: information@concordmarlin.com

