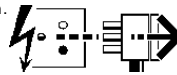


2041245

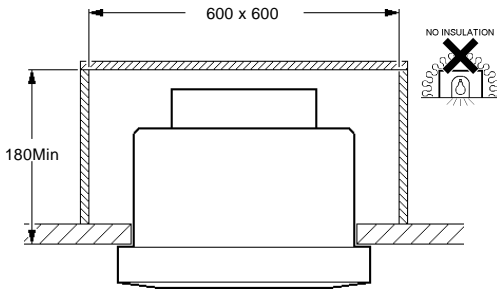


Anti-Static precautions must be taken when having contact with the LED modules. Please handle with care

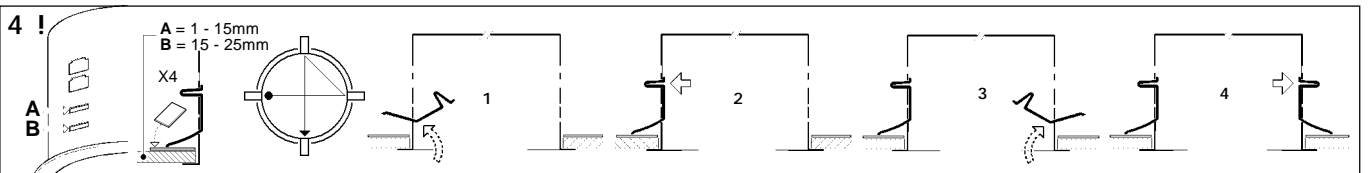
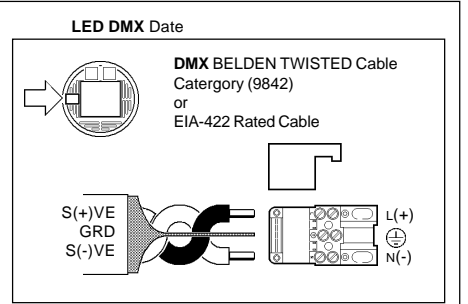
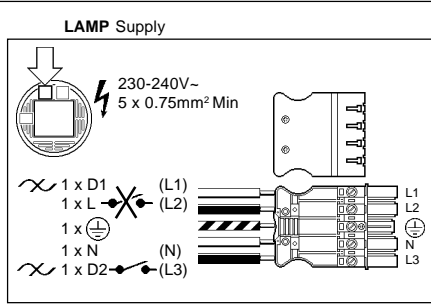
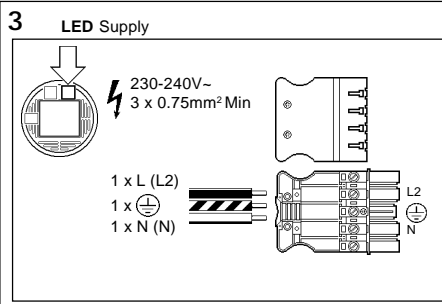
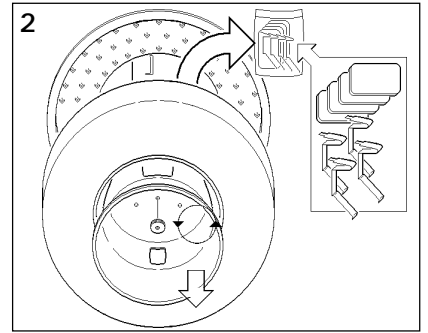
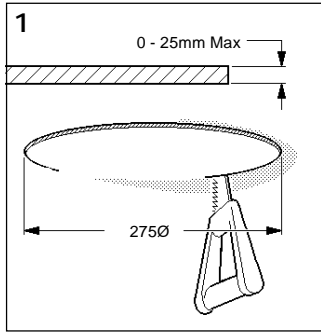
**Disconnect from mains supply before replacing the fuse or the lamp.**  
 Vor dem Einsetzen der Sicherung oder der Lampe Spannungsfreiheit herstellen.  
**Débrancher le secteur avant de remplacer le fusible ou l'ampoule.**  
 Desconectar del suministro de la red, antes de realizar la sustitución del fusible o de la lámpara.  
**Voor het vervangen van lamp of zekering, eerst netspanning uitschakelen.**  
 Koppla bort spänningen före byte av en säkring eller en lampa.



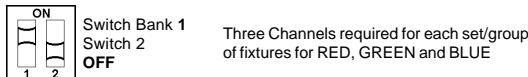
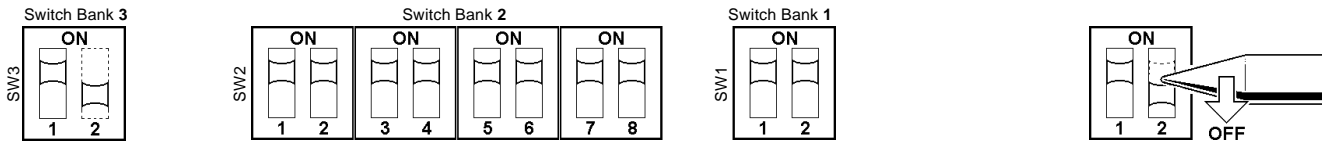
**Switch Off**  
 Abschalten  
**Débrancher**  
 Desconectar  
**Uitschakelen**  
 Stäng av



**! Kg** 2041245 - 2.1Kg



**Test Mode**



**DMX Mode:**

Address Selection with Switch 2 in Switch Bank 1 set to 'OFF'

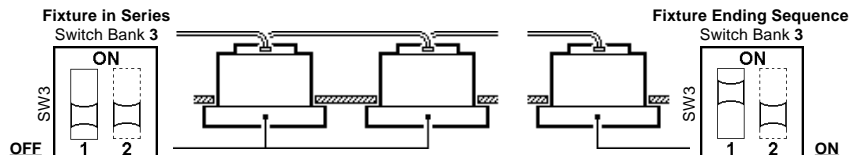
Fixtures	Address	Bank 2								Bank 1	
		SW1	SW2	SW3	SW4	SW5	SW6	SW7	SW8	SW1	SW2
1	0	ON	ON	ON	ON	ON	ON	ON	ON	ON	OFF
	1	OFF	ON	ON	ON	ON	ON	ON	ON	ON	OFF
	2	ON	OFF	ON	ON	ON	ON	ON	ON	ON	OFF
2	3	OFF	OFF	ON	ON	ON	ON	ON	ON	ON	OFF
	4	ON	ON	OFF	ON	ON	ON	ON	ON	ON	OFF
	5	OFF	ON	OFF	ON	ON	ON	ON	ON	ON	OFF
3	6	ON	OFF	OFF	ON	ON	ON	ON	ON	ON	OFF
	7	OFF	OFF	OFF	ON	ON	ON	ON	ON	ON	OFF
	8	ON	ON	ON	OFF	ON	ON	ON	ON	ON	OFF
4	9	OFF	ON	ON	OFF	ON	ON	ON	ON	ON	OFF
	10	ON	OFF	ON	OFF	ON	ON	ON	ON	ON	OFF
	11	OFF	ON	ON	ON	ON	ON	ON	ON	ON	OFF
5	12	ON	ON	OFF	OFF	ON	ON	ON	ON	ON	OFF
	13	OFF	ON	OFF	OFF	ON	ON	ON	ON	ON	OFF
	14	ON	OFF	OFF	OFF	ON	ON	ON	ON	ON	OFF
6	15	OFF	OFF	OFF	OFF	ON	ON	ON	ON	ON	OFF
	16	ON	ON	ON	ON	OFF	ON	ON	ON	ON	OFF
	17	OFF	ON	ON	ON	OFF	ON	ON	ON	ON	OFF
7	18	ON	OFF	ON	ON	OFF	ON	ON	ON	ON	OFF
	-	-	-	-	-	-	-	-	-	-	-
etc	255	OFF	OFF	OFF	OFF	OFF	OFF	OFF	OFF	ON	OFF
	511	OFF	OFF	OFF	OFF	OFF	OFF	OFF	OFF	OFF	OFF

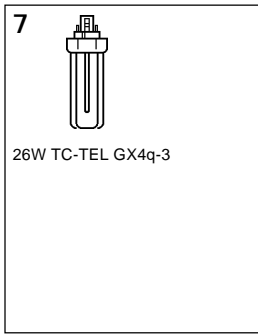
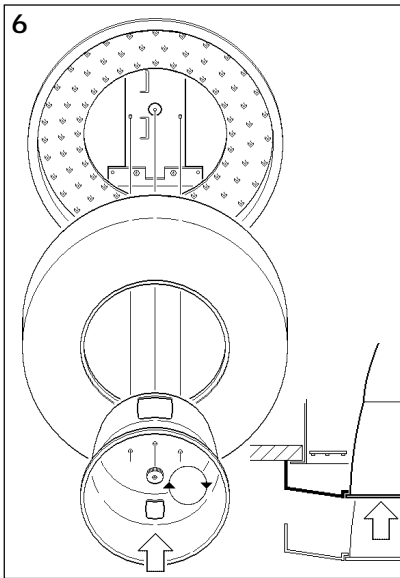
**Fixed Luminance Mode:**

Luminance Selection for RGB Fixture, Switch 2 in Switch Bank 1 set to 'ON'

Brightness Level	SW2								SW1	
	RED		GREEN				BLUE		S1	S2
	S1	S2	S3	S4	S5	S6	S7	S8	S1	S2
Test Mode	ON	ON	ON	ON	ON	ON	ON	ON	ON	ON
5% Red	OFF	ON	ON							ON
25% Red	ON	OFF	ON							ON
50% Red	OFF	OFF	ON							ON
	ON	ON	OFF							ON
100% Red	OFF	ON	OFF							ON
	ON	OFF	OFF							ON
5% Green				OFF	ON	ON				ON
				ON	OFF	ON				ON
25% Green				OFF	OFF	ON				ON
				ON	ON	OFF				ON
50% Green				OFF	ON	OFF				ON
				ON	OFF	OFF				ON
100% Green				OFF	OFF	OFF				ON
				ON	OFF	OFF				ON
5% Blue								OFF	ON	ON
								OFF	OFF	ON
25% Blue								OFF	OFF	ON
								ON	ON	OFF
50% Blue								OFF	ON	OFF
								ON	OFF	OFF
100% Blue								OFF	OFF	OFF
								ON	OFF	ON

**Switch Bank 3 - DMX Terminator**





**Suitable for use indoors**  
 Geeignet für Innenanwendung  
**Pour un usage interne**  
 Adecuada para uso en interiores  
**Geschikt voor gebruik binnen**  
 Lämpig för inomhusbruk



**Replace any cracked protective shield.**

Dieses symbol bedeutet, dass defekte schutzgläser sofort ersetzt werden müssen.

**Ce symbol indique que vous devez remplacer tout verre de protection fêlé.**

Este simbolo indica que hay que 'reemplazar filtros en caso de rotura o desperfectos'.

**Dette symbolet indikerer at alle ødelagte (sprukne) sikkerhetsglass må skiftes.**

Valaisinta el saa käyttää ilman suojalasia vioitunut suojalasi on vaihdettava uuteen ennen valaisimen käyttöön ottoa.

< Millimetres >



This Electrical Product  
 MUST be recycled.



08.08

# Concord

Avis Way Newhaven East Sussex BN9 0ED  
 T 0870 606 2030 F 01273 512 688 email: information@concordmarlin.com

