

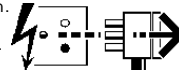
Colour Ray Light Souces

Installation Instructions **IS500** **F** **⊕** This Product **MUST** be EARTHED

IS1227

2042735
2042736
2042737
2042738

Disconnect from mains supply before replacing the fuse or the lamp.
Vor dem Einsetzen der Sicherung oder der Lampe Spannungsfreiheit herstellen.
Débrancher le secteur avant de remplacer le fusible ou l'ampoule.
Desconectar del suministro de la red, antes de realizar la sustitución del fusible o de la lámpara.
Voor het vervangen van lamp of zekering, eerst netspanning uitschakelen.
Koppla bort spänningen före byte av en säkring eller en lampa.



Switch Off
Abschalten
Débrancher
Desconectar
Uitschakelen
Stäng av

2042738 - RGB

Specification
Power (Typical)

90W

Intensity

RED - 900lm
GREEN - 1440lm
BLUE - 330lm

Input Voltage
see IS1226

Use with **ColorRAY™ ColorDIRECTOR™**

Operating Temperature

- 40° C to +75° C

Beam Angle (optional)

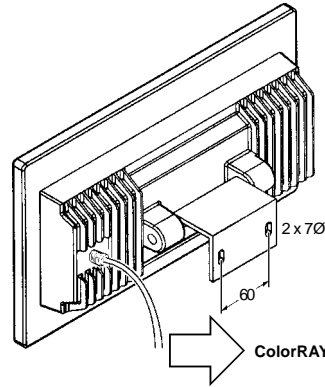
10°, >120°

Dimension (Typical)

66mm (W) x 174mm (H) x 149mm (L)

Weight

3.9Kg



2042736 - 18W

Specification
Power (Typical)

18W

Intensity

RED - 180lm
GREEN - 288lm
BLUE - 66lm

Input Voltage
see IS1226

Use with **ColorRAY™ ColorDIRECTOR™**

Operating Temperature

- 40° C to +75° C

Beam Angle (optional)

10°, >120°

Dimension (Typical)

500mm (L) x 50mm (H) x 40mm (W)

Weight

1.4Kg

2042737 - 36W

Specification
Power (Typical)

36W

Intensity

RED - 360lm
GREEN - 576lm
BLUE - 132lm

Input Voltage
see IS1226

Use with **ColorRAY™ ColorDIRECTOR™**

Operating Temperature

- 40° C to +75° C

Beam Angle (optional)

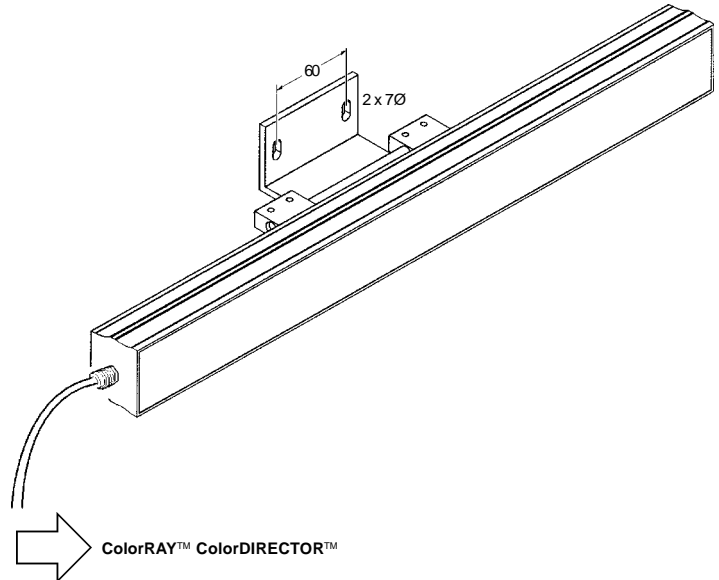
10°, >120°

Dimension (Typical)

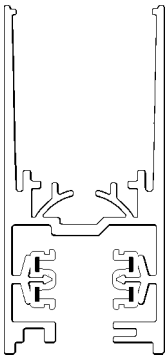
1000mm (L) x 50mm (H) x 40mm (W)

Weight

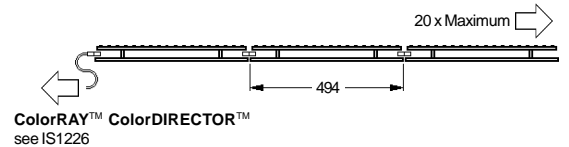
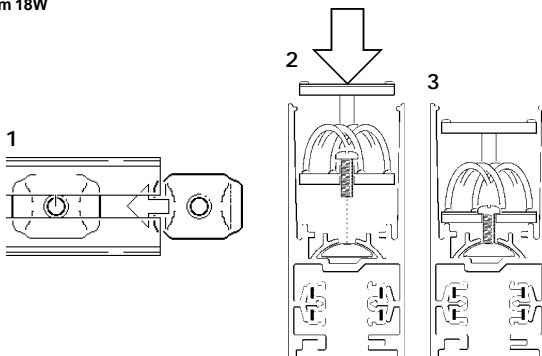
2.7Kg



2042735 - RGB LED Lytebeam 18W



Lytebeam



Suitable for use indoors
Geeignet für Innenanwendung
Pour un usage interne
Adecuada para uso en interiores
Geschikt voor gebruik binnen
Lämplig för inomhusbruk



< Millimetres >



This Electrical Product **MUST** be recycled.



04.08

Concord

Avis Way Newhaven East Sussex BN9 0ED
T 0870 606 2030 F 01273 512 688 email: information@concordmarlin.com



© Concord Lighting Ltd.