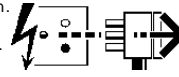
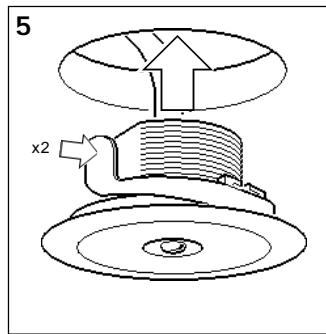
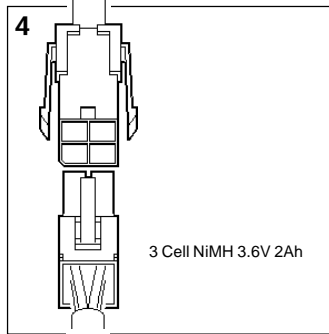
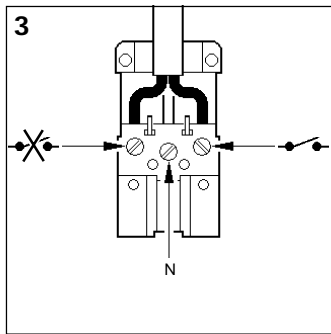
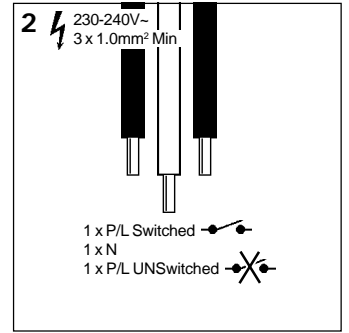
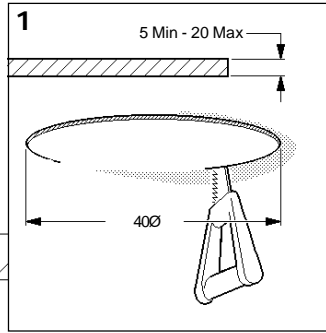
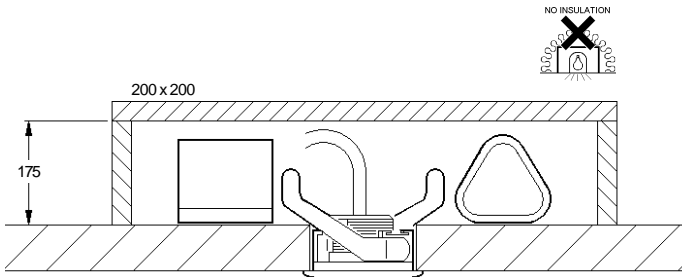


9141248
9141552

Disconnect from mains supply before replacing the fuse or the lamp.
 Vor dem Einsetzen der Sicherung oder der Lampe Spannungsfreiheit herstellen.
Débrancher le secteur avant de remplacer le fusible ou l'ampoule.
 Desconectar del suministro de la red, antes de realizar la sustitución del fusible o de la lámpara.
Voor het vervangen van lamp of zekering, eerst netspanning uitschakelen.
 Koppla bort spänningen före byte av en säkring eller en lampa.



Switch Off
 Abschalten
Débrancher
 Desconectar
Uitschakelen
 Stäng av



Suitable for use indoors
 Geeignet für Innenanwendung
Pour un usage interne
 Adecuada para uso en interiores
Geschikt voor gebruik binnen
 Lämpligt för inomhusbruk



Routine Testing.

Testing should be carried out in accordance with the recommendations of BS 5266.

- 1.) A monthly functional test.
- 2.) Twice yearly, a one hour duration test.
- 3.) Every three years, a full three hour duration test.

(The above tests assume a three hour system.)

- 4.) Batteries shall be replaced when the luminaire no longer meets 3 hours duration performance.
- 5.) Testing could be performed by interrupting the fixed phase supply for the test duration, during which the luminaire should remain lit.

To assist with this testing, a test record chart is supplied below. The test engineer should sign and date each test.

If the charge indicator (**LED**) is unlit, this signifies a **fault**. To increase the chance of a fault being reported between monthly tests, it is desirable that occupants are made aware of the purpose of the indicator.

This module should not be modified or repaired by any person other than those nominated by the manufacturer. **ANY** unauthorised modifications may render the module unsafe and will invalidate our warranty and conformance to any safety standards that may apply. The company will accept no responsibility for any modified modules, or for damage caused as a result of any modifications.

All details are given for guidance only and do not constitute a contract. We reserve the right to change the characteristics of products without notice.

Test Record	Type.....	Location.....				
Month Test		1st Year	2nd Year	3rd Year	4th Year	5th year
	1. Functional					
	2. Functional					
	3. 1Hour					
	4. Functional					
	5. Functional					
	6. Functional					
	7. Functional					
	8. Functional					
	9. 1Hour					
	3 Hour					
	10. Functional					
	11. Functional					
	12. Functional					

Replace any cracked protective shield.
 Dieses symbol bedeutet, dass defekte schutzgläser sofort ersetzt werden müssen.
Ce symbol indique que vous devez remplacer tout verre de protection fêlé.
 Este simbolo indica que hay que 'reemplazar filtros en caso de rotura o desperfectos'.
Dette symbolet indikerer at alle ødelagte (sprukne) sikkerhetglass må skiftes.
 Valaisinta el saa käyttää ilman suojalasia vioitunut suojalasi on vaihdettava uuteen ennen valaisimen käyttöön ottoa.

< Millimetres >

