

# Officelyte 500 x 500

Installation Instructions  
IS500

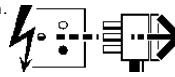


This Product  
MUST be EARTHED

# IS1235A

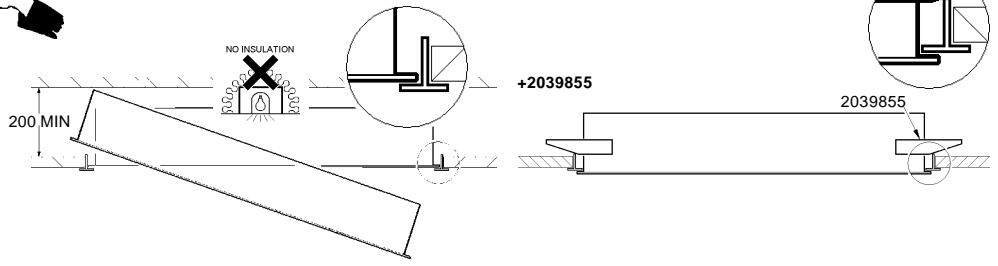
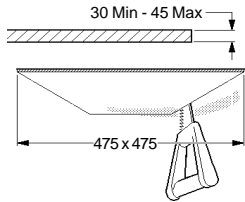
- 2041227 - 5.60Kg
- 2041228 - 7.60Kg
- 2041229 - 5.60Kg
- 2041230 - 7.60Kg
- 2042747 - 5.70Kg

**Disconnect from mains supply before replacing the fuse or the lamp.**  
 Vor dem Einsetzen der Sicherung oder der Lampe Spannungsfreiheit herstellen.  
**Débrancher le secteur avant de remplacer le fusible ou l'ampoule.**  
 Desconectar del suministro de la red, antes de realizar la sustitución del fusible o de la lámpara.  
**Voor het vervangen van lamp of zekering, eerst netspanning uitschakelen.**  
 Koppla bort spänningen före byte av en säkring eller en lampa.



**Switch Off**  
 Abschalten  
**Débrancher**  
 Desconectar  
**Uitschakelen**  
 Stäng av

**stop** **IS1236 for Sensor Information!**



**1**

**2** 0.75mm² Min

**3 \***

2041227

2041228

2041747 - IS1236

**3 \***

2041229  
DSI Dim (12V~)

Switch Dim (230V~)

2041230  
DSI Dim (12V~)

Switch Dim (230V~)

N Link

\* L = Live N = Neutral ⊕ = Earth = Emergency = Dimmer D1 = Digital Dimming D2 = Digital Dimming = Switched = Unswitched = Sensor

**5**

**5 ? 2039855**

**6**

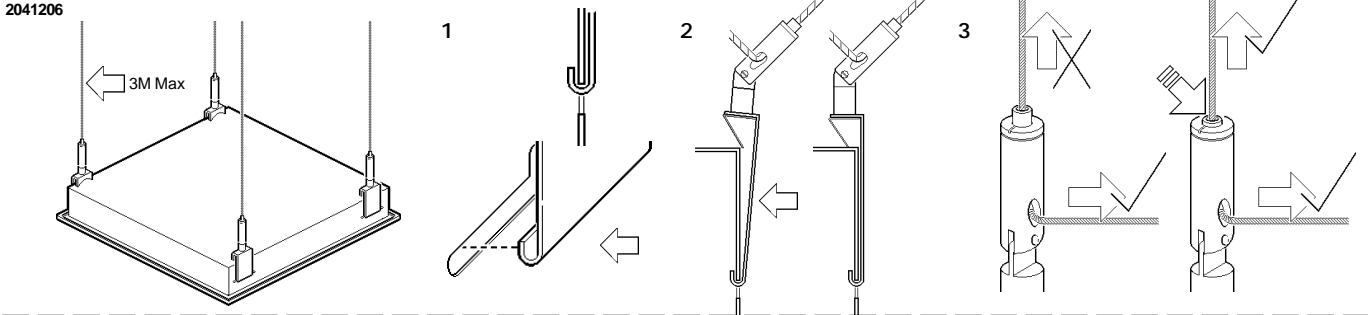
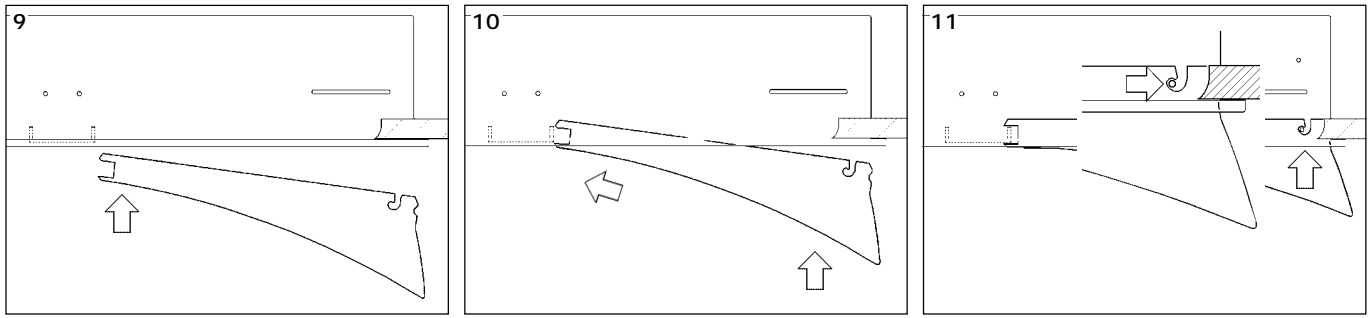
2041227 2041228  
2041229 2041230  
2042747

1x36W TC-L

**\*\***

Battery:  
5 Cell  
Ni-Cd/NiMH  
4.8V x 4Ah

COMMISSIONING DATE	JAN	FEB	MAR	APR
	MAY	JUN	JUL	AUG
	SEP	OCT	NOV	DEC
	2006	2007	2008	2009
	2010	2011	2012	2013
	2014	2015	2016	2017



**Routine Maintenance**

Routine maintenance must be carried out in compliance with the requirements of BS5266:Part 1 - Emergency Lighting of Premises.

The following tests assume a three-hour system.

- Daily:**
1. Check that any recorded faults have been rectified.
  2. Check that the maintained emergency lamp is operative.
  3. Check that the charge indicator light is illuminated.
- Monthly:**  
(Functional)
1. Simulate a mains failure and check that the emergency lamp illuminates and remains on for several minutes.
  2. After reverting back to mains supply check the charge indicator light is illuminated.
- Six Monthly:**  
(1 Hour)
1. Simulate a mains failure and check that the emergency lamp illuminates and remains on for one hour.
  2. After reverting back to mains supply check the charge indicator light is illuminated.
  3. On restoring the mains supply the unit will require approximately 24 hours to recharge before becoming fully operational.
- Three Years:**  
(3 Hours)
1. Simulate a mains failure and check that the emergency lamp illuminates and remains on for at least 3 hours.
  2. After reverting back to mains supply check the charge indicator light is illuminated.
  3. On restoring the mains supply the unit will require approximately 24 hours to recharge before becoming fully operational.

It is recommended that the battery packs and lamps are replaced every 4 years or sooner if the units performance fails to meet the above requirements. To maintain optimum unit performance, only approved replacement battery packs and lamps must be used.

All routine maintenance checks must be recorded on the unit Routine Test Record and must be made available for inspection at all times.

**Installation and Commissioning Record**

Luminaire Model Ref: \_\_\_\_\_ Location: \_\_\_\_\_  
 Installed By: \_\_\_\_\_ Date: \_\_\_\_\_  
 Commissioned by: \_\_\_\_\_ Date: \_\_\_\_\_  
 (Full Charge and Discharge Cycle)

**Routine Test Record**

Monthly Test	First Year		Second Year		Third Year		Forth Year		Fifth Year	
	Signed	Dated	Signed	Dated	Signed	Dated	Signed	Dated	Signed	Dated
Functional										
Functional										
Functional										
Functional										
Functional										
1 Hour Duration										
Functional										
Functional										
Functional										
Functional										
Functional										
1 Hour Duration										
3 Hour Duration										

**Suitable for use indoors**

Geeignet für Innenanwendung  
 Pour un usage interne  
 Adecuada para uso en interiores  
 Geschikt voor gebruik binnen  
 Lämpelig för inomhusbruk



**Replace any cracked protective shield.**  
 Dieses symbol bedeutet, dass defekte schutzgläser sofort ersetzt werden müssen.  
**Ce symbol indique que vous devez remplacer tout verre de protection fêlé.**  
 Este simbolo indica que hay que 'reemplazar filtros en caso de rotura o desperfectos'.  
**Dette symbolet indikerer at alle ødelagte (sprukne) sikkerhetsglass må skiftes.**  
 Valaisinta el saa käyttää ilman suojalasia vioitunut suojalasi on vaihdettava uuteen ennen valaisimen käyttöön ottoa.

< Millimetres > This Electrical Product MUST be recycled.



**Concord**

Avis Way Newhaven East Sussex BN9 0ED  
 T 0870 606 2030 F 01273 512 688 email: information@concordmarlin.com

01.08  
  
 © Concord Lighting Ltd.