

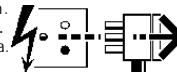
# LED150 TC-T/-D Emergency

This Product **MUST** be EARTHED

# IS1268

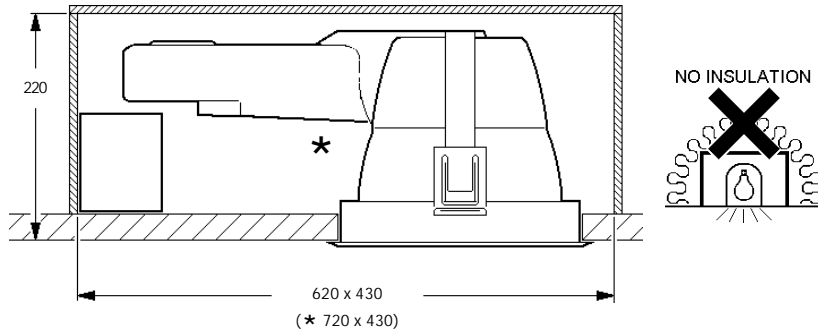
Suitable for use indoors  
 Geeignet für Innenanwendung  
 Pour un usage interne  
 Adecuada para uso en interiores  
 Geschikt voor gebruik binnen  
 Lämpig för inomhusbruk

Disconnect from mains supply before replacing the fuse or the lamp.  
 Vor dem Einsetzen der Sicherung oder der Lampe Spannungsfreiheit herstellen.  
 Débrancher le secteur avant de remplacer le fusible ou l'ampoule.  
 Desconectar del suministro de la red, antes de realizar la sustitución del fusible o de la lámpara.  
 Voor het vervangen van lamp of zekering, eerst netspanning uitschakelen.  
 Koppla bort spänningen före byte av en säkring eller en lampa.



Switch Off  
 Abschalten  
 Couper le conector  
 Desconectar  
 Uitschakelen  
 Stäng av

2 x 18W TC-TE 185Ø  
 2837924



**1**

**2**

**3**

**4**

**5**

**6**

**7**

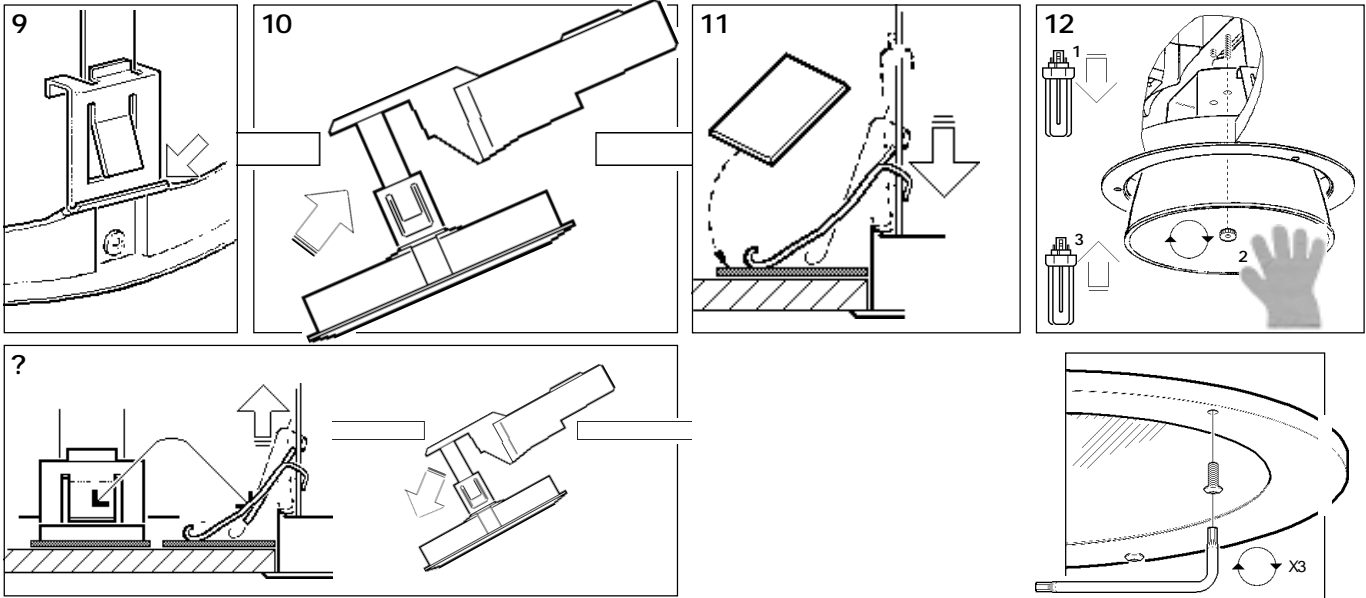
**8**

**?**

! A period of 24 Hours should be allowed after the mains supply has been switched on, to allow batteries to charge to full power

**?**

Yuasa Ref:  
 NP 7-12 or RE 7-12



**Routine Testing**

Testing should be carried out in accordance with the recommendations of BS 5266.

- 1.) A monthly functional test.
- 2.) Twice yearly, a one hour duration test.
- 3.) Every three years, a full three hour duration test.  
(The above tests assume a three hour system)
- 4.) Batteries shall be replaced when the luminaire no longer meets 3 hours duration performance.
- 5.) Testing could be performed by interrupting the fixed phase supply for the test duration, during which the luminaire should remain lit.

To assist with this testing, a test record chart is supplied below. The test engineer should sign and date each test.

If the charge indicator (LED) is unlit, this signifies a fault. To increase the chance of a fault being reported between monthly tests, it is advisable that the occupants are made aware of the purpose of the indicator. This module should not be modified or repaired by any person other than those nominated by the manufacturer. Any unauthorised modifications may render the module unsafe and will invalidate our warranty and conformance to any safety standards that may apply. The company will accept no responsibility for any modified modules, or for damage caused as a result of any modifications.

All details are given for guidance only and do not constitute a contract. We reserve the right to change the characteristics of products without notice.

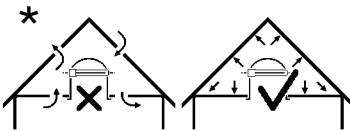
**TEST RECORD**

Type	Location	1st. Year	2nd. Year	3rd. Year	4th. Year	5th. Year	6th. Year
Month	Test						
	1. Functional						
	2. Functional						
	3. 1. Hour						
	4. Functional						
	5. Functional						
	6. Functional						
	7. Functional						
	8. Functional						
	9. 1. Hour						
	3. Hour						
	10. Functional						
	11. Functional						
	12. Functional						

**Emergency Photometric Distribution Data (EN60.598.2.22.16.2)**

Lamp	1 x 18W	1 x 26W	2 x 13W	1 x 32W	2 x 18W	2 x 26W	2 x 32W	1 x 42W	2 x 42W
<b>Emergency Lumens</b>									
Open Cones	100	120	82	208	105	125	213	218	225
<b>Emergency Lumens with Accessories</b>									
IP23 Glass Cover	95	114	77	195	100	117	198	202	209
Frosted Glass Ring	86	103	70	178	90	107	183	187	193
Clear Glass Ring and Blue Gel	83	100	68	176	87	103	177	181	187
Profiled Glass Disc	81	97	66	168	85	101	172	176	182
Kick Reflector	90	108	74	187	94	112	191	196	202
Crossblade Louvre	n/a	n/a	70	n/a	90	107	183	n/a	193

**IMPORTANT NOTE**  
When using TC-T lamps, install in still air voids only!  
**WICHTIGER HINWEIS**  
Bei Verwendung von TC-T Lampen, auf genügende Durchlüftung achten!  
**IMPORTANT**  
Utiliser les lampes TC-T dans un environnement avec température stable  
**IMPORTANTE**  
Cuando utilice lámparas TC-T instalar sólo en espacios ventilados.  
**LET OP**  
Gebruik TC-T lampen slechts in TOCHTVRIJE ruimten.  
**VIKTIG INFORMATION**  
Bör ej användas vid installation i ventilerade undertak



< Millimetres >

**Concord**

Avis Way Newhaven East Sussex BN9 0ED  
T 0870 606 2030 F 01273 512 688 email: information@concordmarlin.com

