

Sphereline Wall Mounted



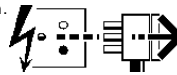
This Product
MUST be EARTHED

IS1281

50/80W MBFU
8041 WM58
8051 WM58

70W SON
8041 WS72
8051 WS72

Disconnect from mains supply before replacing the fuse or the lamp.
Vor dem Einsetzen der Sicherung oder der Lampe Spannungsfreiheit herstellen.
Débrancher le secteur avant de remplacer le fusible ou l'ampoule.
Desconectar del suministro de la red, antes de realizar la sustitución del fusible o de la lámpara.
Voor het vervangen van lamp of zekering, eerst netspanning uitschakelen.
Koppla bort spänningen före byte av en säkring eller en lampa.



Switch Off
Abschalten
Débrancher
Desconectar
Uitschakelen
Stäng av

These luminaires are designed for interior or exterior wall mounting, either to a conduit box or a flat mounting surface.
For interior use the primary and secondary gaskets may be discarded.

These luminaires should be installed by a suitably qualified person in accordance with good electrical practice and the appropriate national wiring regulations.

Switch off mains electrical supply before commencing installation.

Installation Procedure

Switch off mains electrical supply.

Check that the mains electrical supply conforms with the rating marked on the luminaire label.

To prevent condensation forming within the sphere, open out the two breather holes in the gallery adjacent to the clamp screw heads using a suitable tool to remove the skin across them as shown in Fig. 2.

Offer the primary gasket and interface plate to the mounting surface and pass the mains supply leads through their central holes. With the luminaire mounting holes horizontal, attach the interface plate to the conduit box or mounting surface using suitable screws (not supplied).

With the secondary gasket retained by the two M4 mounting screws, offer the luminaire to the mounting surface and connect the mains leads to the flying leads using a suitable terminal block.

Locate the terminal block in the conduit box and, ensuring that the leads are not trapped, fix the luminaire to the interface plate with M4 mounting screws using the key provided. Check the vertical alignment of the luminaire, and adjust the interface plate as necessary.

For MBFU types, it may be necessary to reposition the brown lampholder feed wire in the ballast terminal block, depending upon whether a 50W or an 80W lamp is used. Make the appropriate connection as indicated by the ballast label and affix a corresponding label (supplied loose) to the lampholder bracket.

Attach the heatshield stem to the lampholder bracket using two of the screws, supplied loose, through the bottom two holes of the stem. Fix the heat shield horizontally to the top of the stem with the remaining screw and nut supplied.

Fit the appropriate lamp.

Loosen the two clamp screws in the gallery. Lower the sphere into place tilting it on one way then the other so the opening passes over the clamp.

Ensure the sphere opening is concentrically seated on the gasket in the gallery and tighten the clamp screws to secure it in position.

Colour Coding:
Flying Lead - Brown = Live (L), Blue = Neutral (N), Green/Yellow = Earth (E).
Mains Supply - Red = Live (L), Black = Neutral (N), Green = Earth (E).

WARNING: These luminaires must be earthed.

NOTE: These luminaires should be cleaned using warm soapy water and a soft cloth. Ensure that the luminaire is switched off during cleaning.

Dispose of lamps in accordance with manufacturer's instructions.

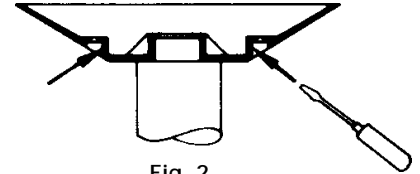


Fig. 2

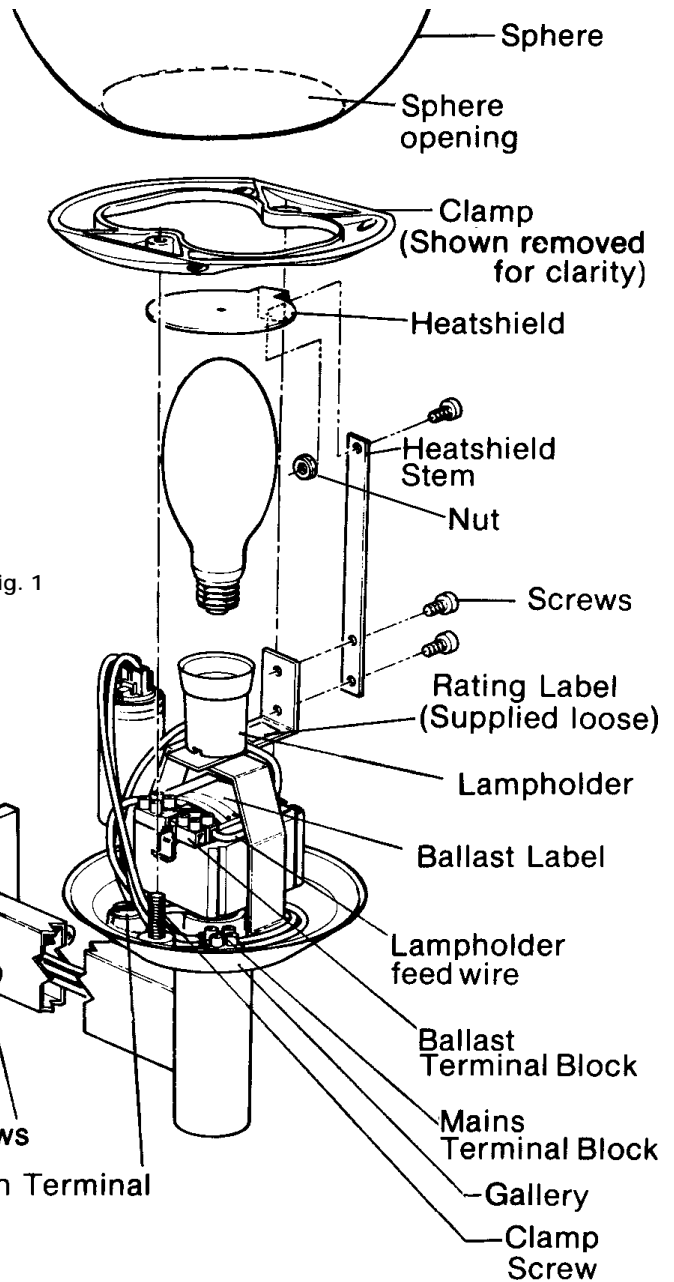
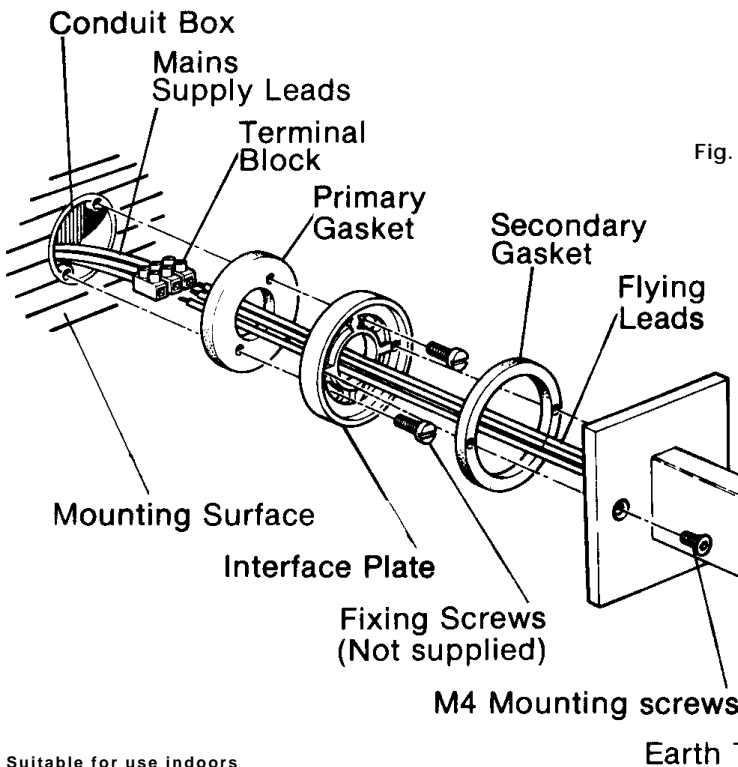


Fig. 1



Suitable for use indoors
Geeignet für Innenanwendung
Pour un usage interne
Adecuada para uso en interiores
Geschikt voor gebruik binnen
Lämplig för inomhusbruk



Replace any cracked protective shield.

Dieses symbol bedeutet, dass defekte Schutzgläser sofort ersetzt werden müssen.

Ce symbol indique que vous devez remplacer tout verre de protection fêlé.

Este simbolo indica que hay que reemplazar filtros en caso de rotura o desperfectos.

Dette symbolet indikerer at alle ødelagte (sprukne) sikkerhetglass må skiftes.

Valaisinta ei saa käyttää ilman suojalasia vioitunut suojalasi on vaihdettava uuteen ennen valaisimen käyttöön ottoa.

< Millimetres >



This Electrical Product
MUST be recycled.



04.08

Concord

Avis Way Newhaven East Sussex BN9 0ED
T 0870 606 2030 F 01273 512 688 email: information@concordmarlin.com

